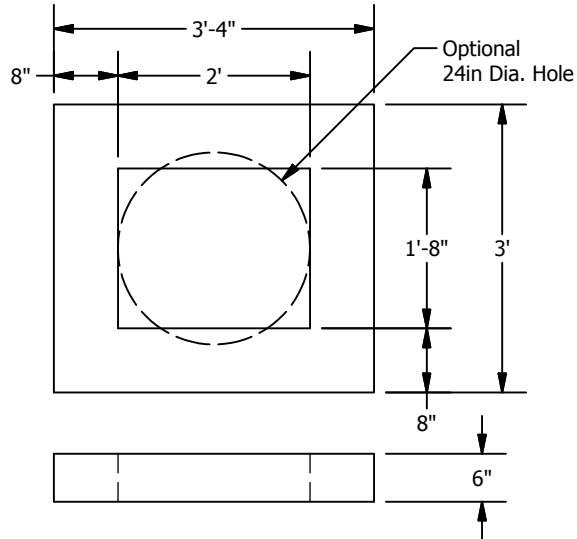
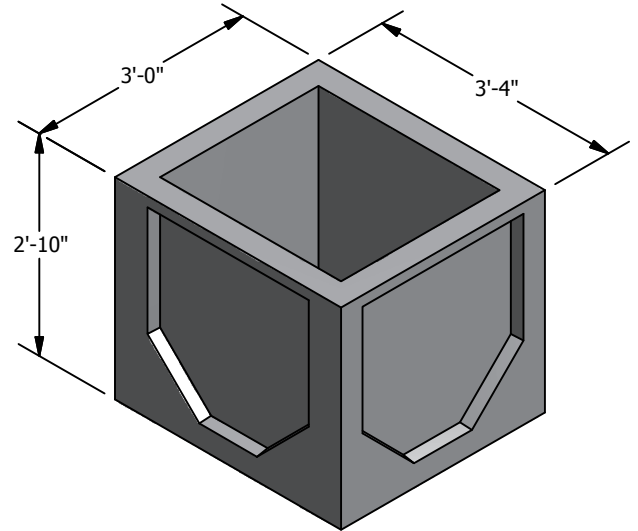


Type 1L Special

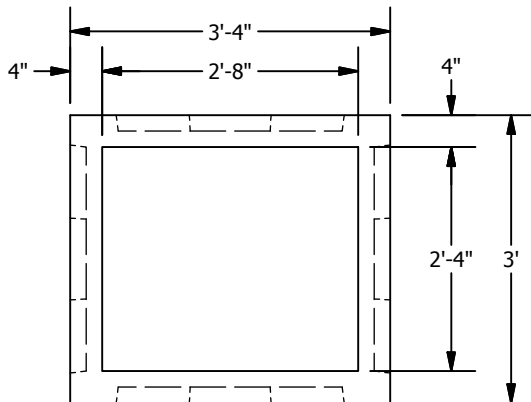
Constructed in Accordance With ASTM C-478



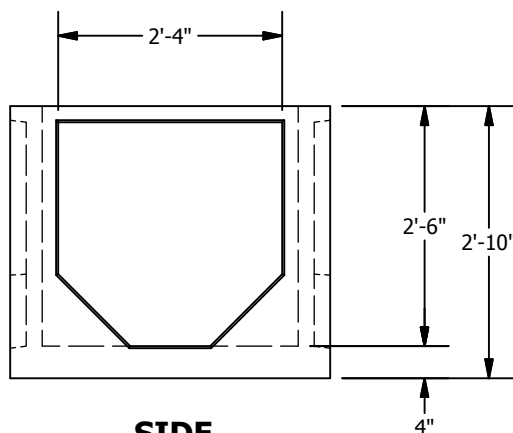
1L REDUCING SLAB



ISO VIEW



PLAN



SIDE

WEIGHTS:

BASE: 1,620 lbs
REDUCING SLAB: 500 lbs

CONCRETE:

fc= 4,000 psi @ 28 Days

REINFORCING STEEL:

Welded Wire Fabric: ASTM A 497
0.12 Sq in./lin ft min.
No Wire Fabric in Knockout

PIPE PENETRATIONS:

Standard Knockouts (4)

© 2013 Granite Precasting & Concrete, Inc.



4116 BAKERVIEW SPUR, BELLINGHAM, WA 98226 - (360) 671-2251 - 1-800-808-2251 - FAX: (360) 671-0780