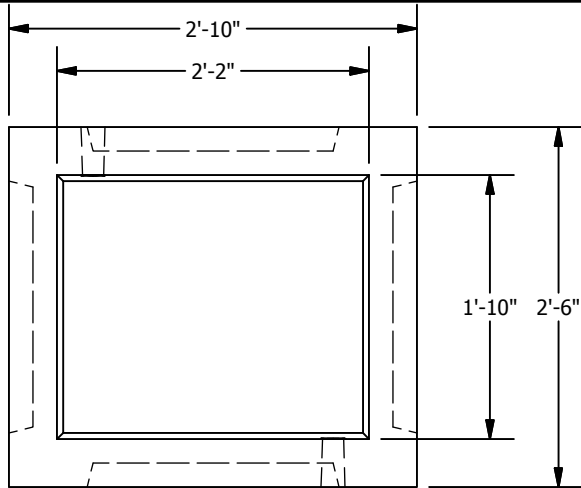
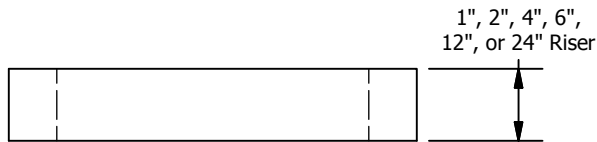


Type 1 P Catch Basin

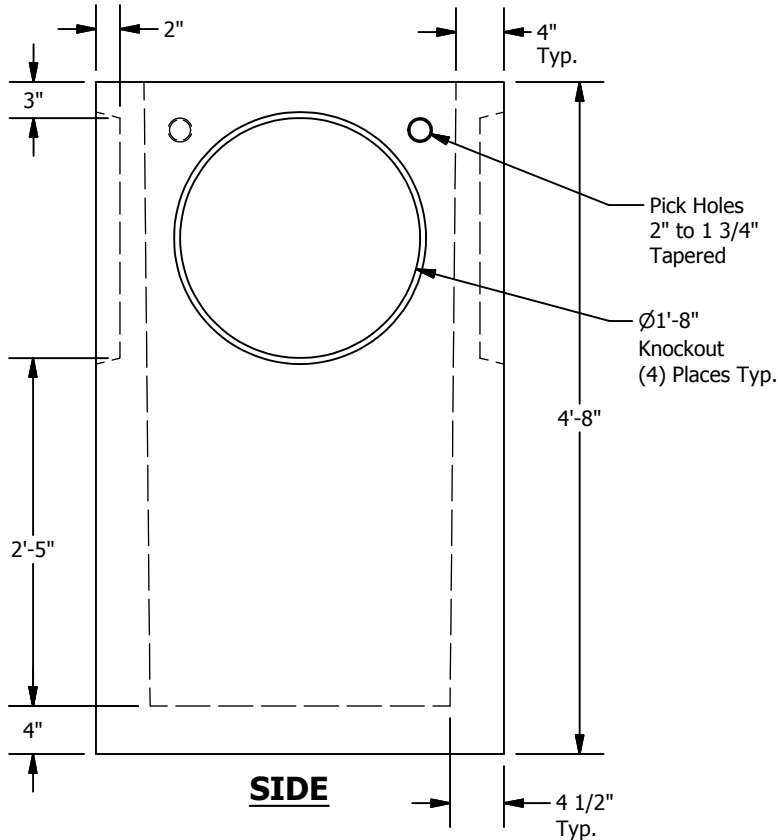
Meets or Exceeds WSDOT Standard plan B-5.60-01
Constructed in Accordance With ASTM C-478



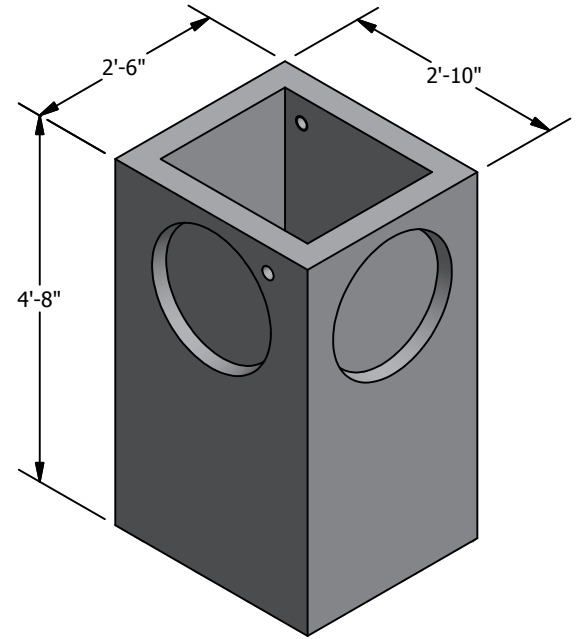
PLAN



TYPE 1 CB RISER



SIDE



ISO VIEW

WEIGHTS:

RISER: 1" -	50 lbs
2" -	100 lbs
4" -	180 lbs
6" -	260 lbs
12" -	560 lbs
24" -	1,120 lbs
BASE:	2,400 lbs

CONCRETE:

fc= 4,000 psi @ 28 Days

REINFORCING STEEL:

Welded Wire Fabric: ASTM A 497
0.12 Sq in./lin ft min.
No Wire Fabric in Knockout

PIPE PENETRATIONS:

Standard Knockouts (4)

© 2013 Granite Precasting & Concrete, Inc.



4116 BAKERVIEW SPUR, BELLINGHAM, WA 98226 - (360) 671-2251 - 1-800-808-2251 - FAX: (360) 671-0780