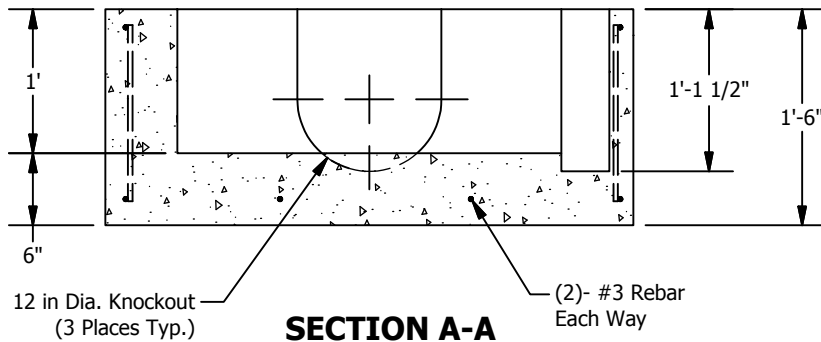
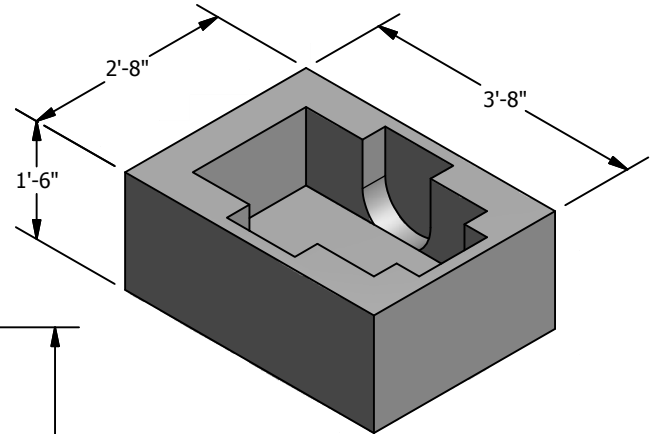
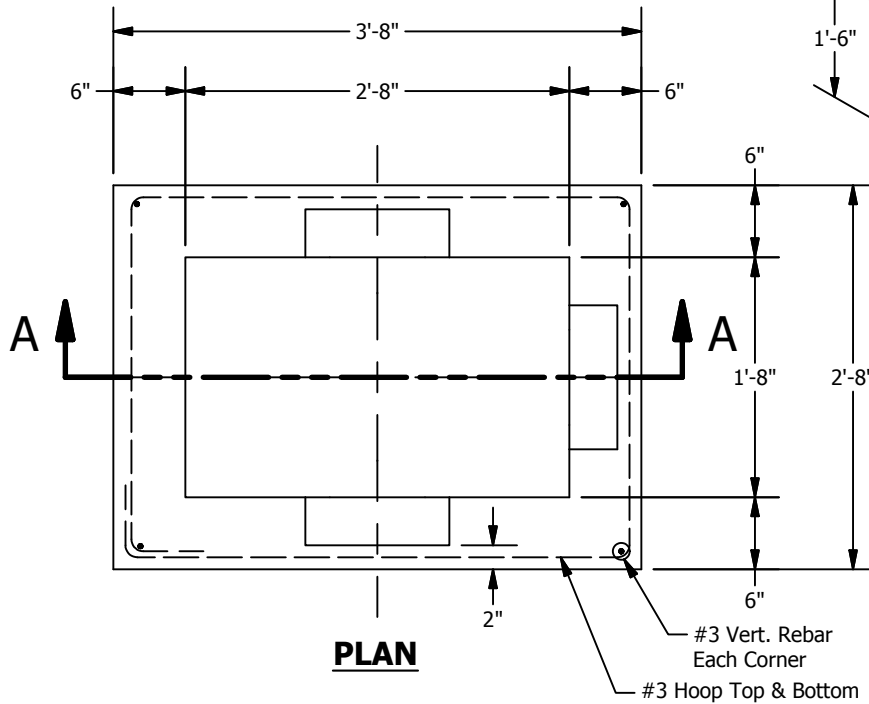


Type 250 Inlet

Meets or Exceeds SEATTLE Std. Plan 250
 Constructed in Accordance With ASTM C-478
 & Seattle Std. Specifications SECT. 7-05 & 9-12

This product may be supplied by a third party contractor, subject to use of approved specifications and drawings.



WEIGHTS:
 BASE: 1,140 lbs

CONCRETE:
 fc= 4,000 psi @ 28 Days

REINFORCING STEEL:
 Rebar: ASTM A615 Grade 60

© 2013 Granite Precasting & Concrete, Inc.



4116 BAKERVIEW SPUR, BELLINGHAM, WA 98226 - (360) 671-2251 - 1-800-808-2251 - FAX: (360) 671-0780