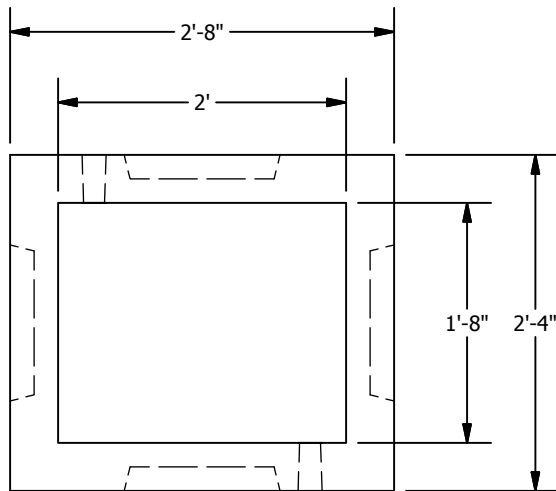
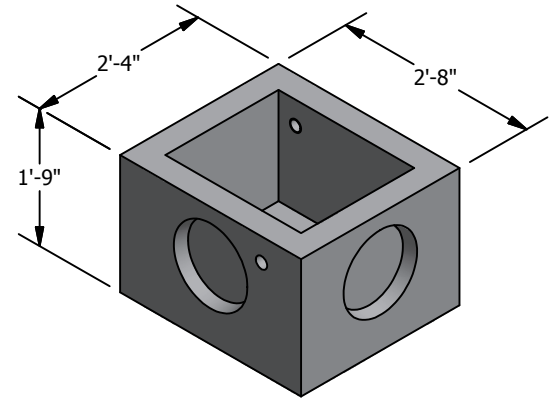


Type 252 Inlet

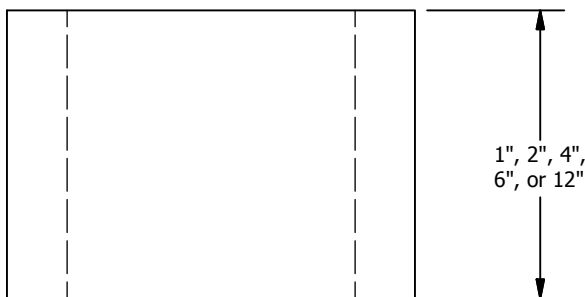
Meets or Exceeds SEATTLE Std. Plan 252
 Constructed in Accordance With ASTM C-478
 & Seattle Std. Specifications SECT. 7-05 & 9-12



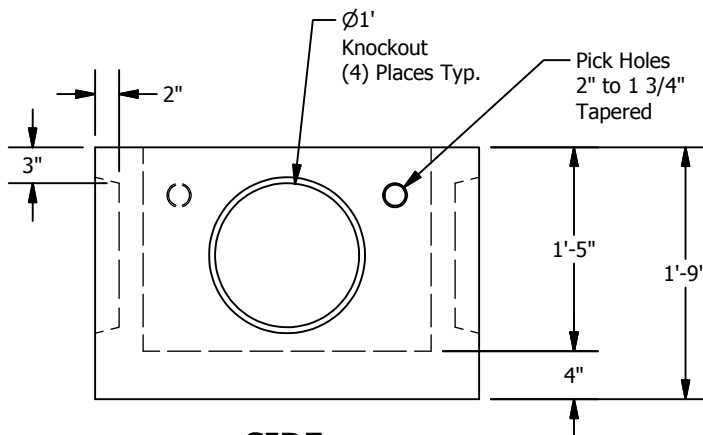
PLAN



ISO VIEW



**STANDARD CB RISER
 SIDE VIEW**



SIDE

WEIGHTS:

RISER:	1" -	50 lbs
	2" -	100 lbs
	4" -	180 lbs
	6" -	260 lbs
	12" -	560 lbs
BASE:		860 lbs

CONCRETE:

fc = 4,000 psi @ 28 Days

REINFORCING STEEL:

Welded Wire Fabric: ASTM A497
 0.12 Sq. in./lin. ft. minimum
 No Wire Fabric in Knockout

PIPE PENETRATIONS:

Standard Knockouts (4)

© 2013 Granite Precasting & Concrete, Inc.



4116 BAKERVIEW SPUR, BELLINGHAM, WA 98226 - (360) 671-2251 - 1-800-808-2251 - FAX: (360) 671-0780