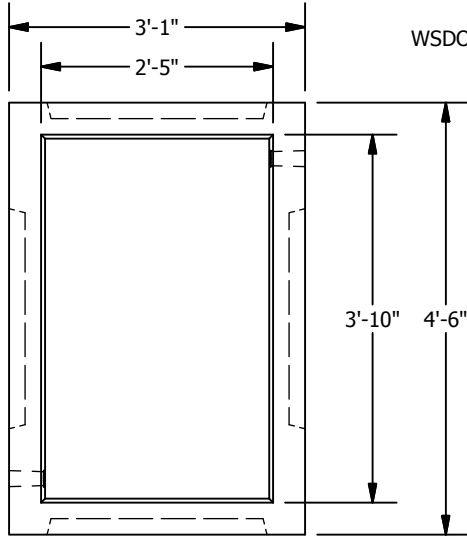


Type 2 Grate Inlet

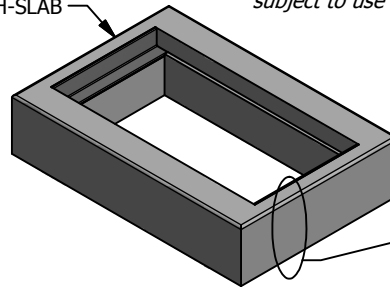
Grates Conform to WSDOT Standard plan B-40.20-00
 Grates Conform to WSDOT Standard plan B-40.40-01
 Inlet Conform to WSDOT Standard plan B-35.40-00
 Constructed in Accordance With ASTM C-478

This product may be supplied by a third party contractor, subject to use of approved specifications and drawings.

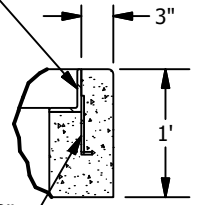


PLAN

WSDOT H-SLAB

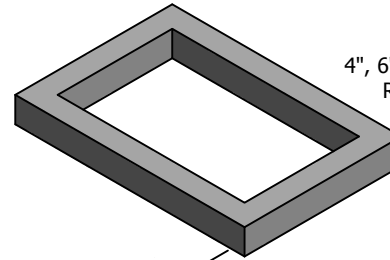


4"x3"x3/8"
Steel Angles
(2) Places, Typ.



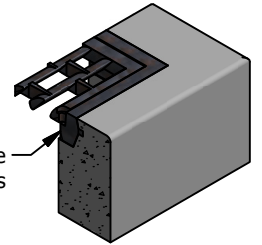
DETAIL

1/2"x4" Studs or
5 1/2"x1 1/2"x1/4"
Steel Anchors
(6) Places, Typ.



4", 6", or 12"
Riser

Cast-In Frame
& Grates



DUAL VANED GRATE

(With Cast-In Frame,
No Angles REquired)

WEIGHTS:

BASE:	3,800 lbs
RISER: 4" -	285 lbs
6" -	425 lbs
12" -	850 lbs
24" -	1,120 lbs
WSDOT H-Slab:	1,060 lbs
GRATES:	(SEE BELOW)

CONCRETE:

fc= 4,000 psi @ 28 Days

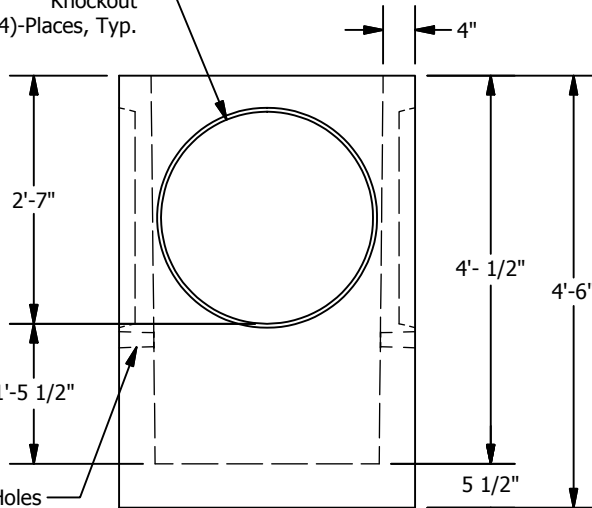
REINFORCING STEEL:

Rebar: ASTM A615, Grade 60

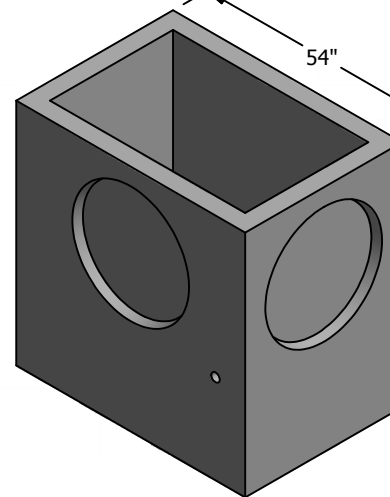
PIPE PENETRATIONS:

Standard Knockouts (4)

Ø2'-2 1/2" Dia.
Knockout
(4)-Places, Typ.

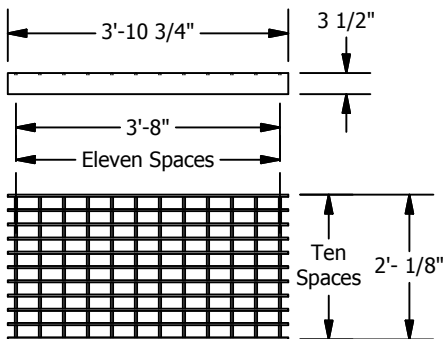


END



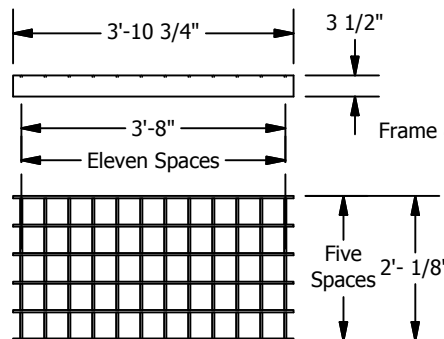
ISO VIEW

Pick Holes
2" to 1 3/4"
Tapered



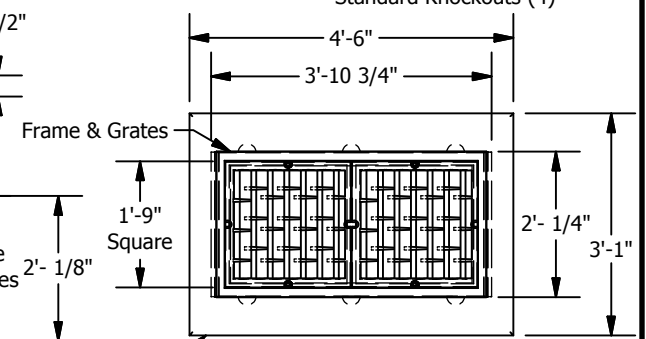
TYPE A GRATE

(Weight approximately 200 lbs.)



TYPE B GRATE

(Weight approximately 200 lbs.)



DUAL VANED GRATE

(Weight approximately 1,675 lbs.)

Concrete Slab

© 2015 Granite Precasting & Concrete, Inc.



GRANITE™
PRECAST

4116 BAKERVIEW SPUR, BELLINGHAM, WA 98226 - (360) 671-2251 - 1-800-808-2251 - FAX: (360) 671-0780