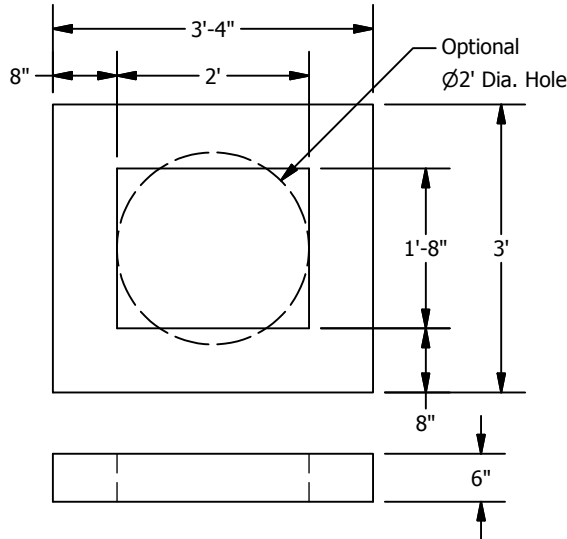
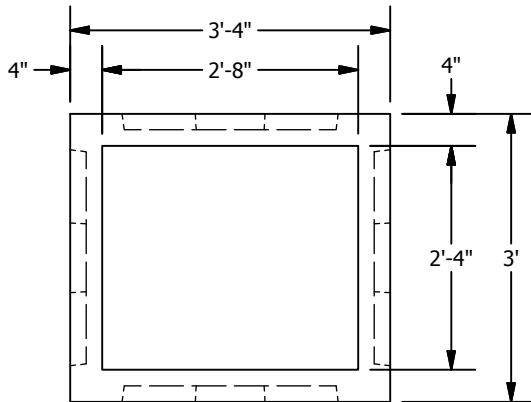


Type IV CB / CB 16 Juneau

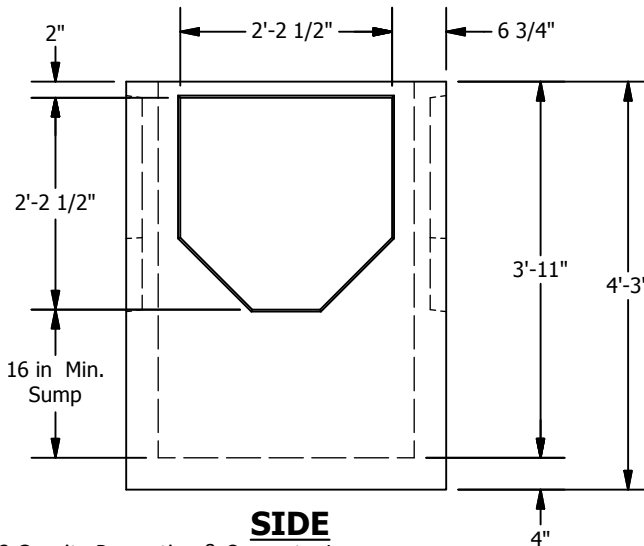
Meets or Exceeds City and Borough of Juneau, AK Standard Plan 304B. Constructed in Accordance with ASTM C-478-69. Meets or Exceeds Highway Standard-20 Load Requirements.



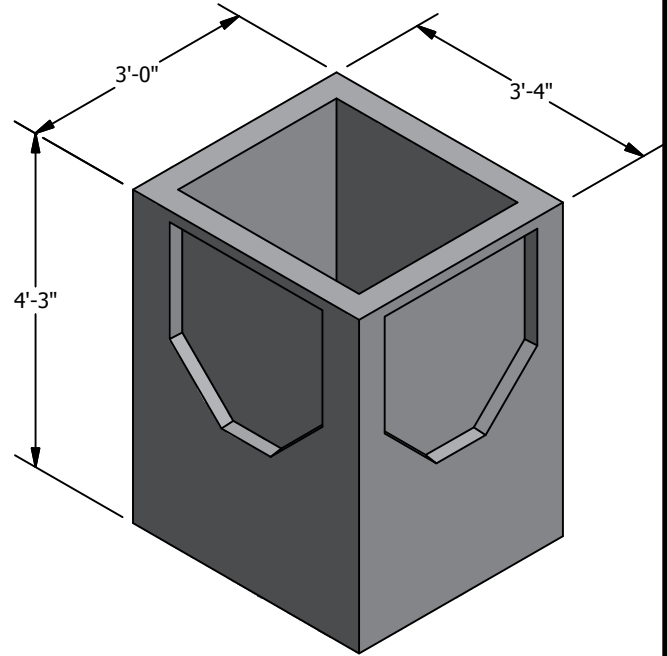
IV REDUCING SLAB



PLAN



SIDE



ISO VIEW

WEIGHTS:

BASE: 2,500 lbs
REDUCING SLAB: 500 lbs

RISER: 4" 189 lbs
6" 283 lbs
12" 566 lbs
18" 828 lbs
24" 1,132 lbs
36" 1,698 lbs

CONCRETE:

fc= 4,000 psi @ 28 Days

REINFORCING STEEL:

Welded Wire Fabric: ASTM A 497
0.12 Sq in./lin ft min.
No Wire Fabric in Knockout

PIPE PENETRATIONS:

Standard Knockouts (4)
In 4' Bases

© 2013 Granite Precasting & Concrete, Inc.



4116 BAKERVIEW SPUR, BELLINGHAM, WA 98226 - (360) 671-2251 - 1-800-808-2251 - FAX: (360) 671-0780