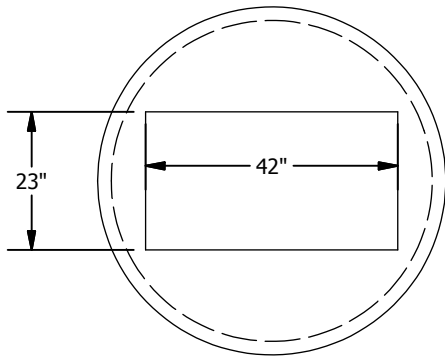
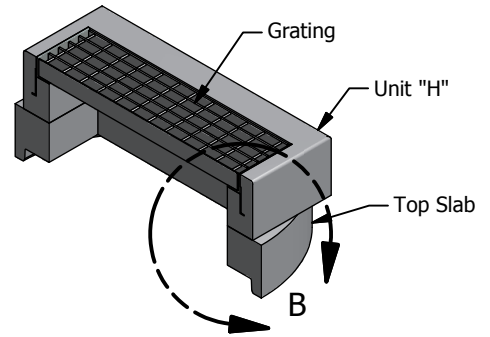


WSDOT H-Slab

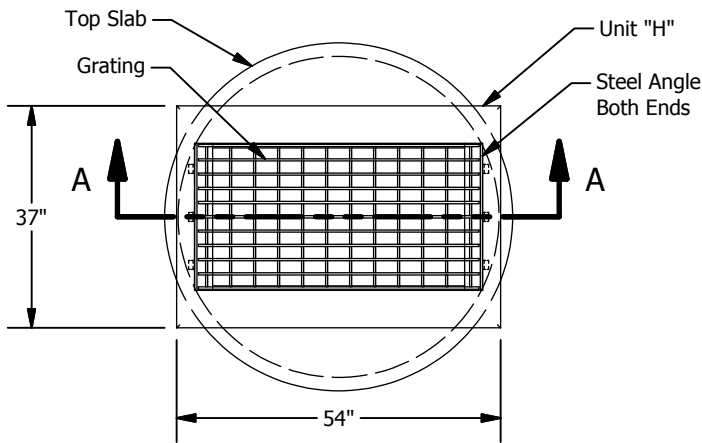
Meets or Exceeds WSDOT Std Plan B-35.40-00
Manholes Constructed in Accordance With ASTM C-478



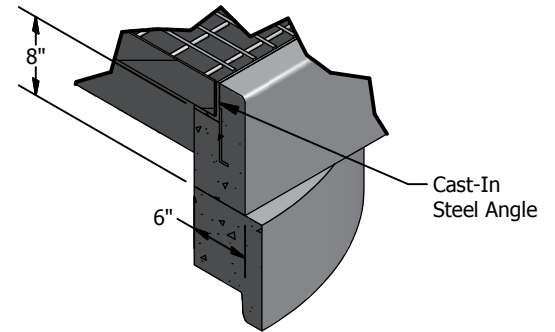
**TOP SLAB
PLAN VIEW**



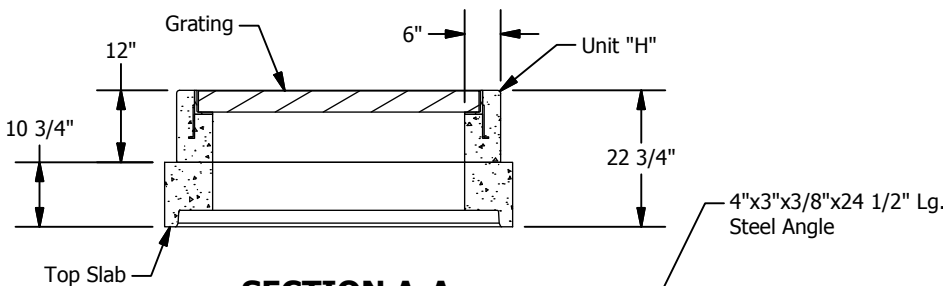
ISO SECTION VIEW



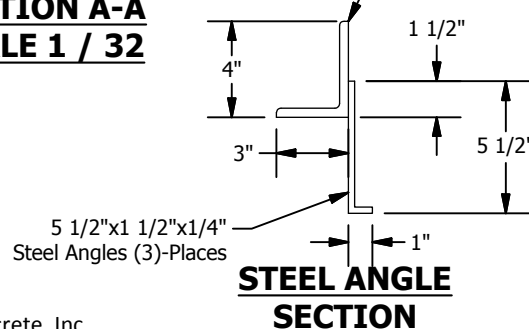
PLAN VIEW



**DETAIL B
SCALE 1 / 16**



**SECTION A-A
SCALE 1 / 32**



**STEEL ANGLE
SECTION**

WEIGHTS:

48" Dia. Top Slab:	1,300 lbs
54" Dia. Top Slab:	1,660 lbs
60" Dia. Top Slab:	2,380 lbs
72" Dia. Top Slab:	3,340 lbs
12" Top "H" Unit:	1,060 lbs
Grate (Type A):	200 lbs
Grate (Type B):	200 lbs
Grate (Dual Vanned):	500 lbs

CONCRETE:

F'c = 4,000 psi @ 28 Days

REINFORCING STEEL:

Welded Wire Fabric: ASTM A497
Rebar: ASTM A615, Grade 60
Top Slab: 0.40 Sq in./ft. e.w. min.

© 2013 Granite Precasting & Concrete, Inc.



4116 BAKERVIEW SPUR, BELLINGHAM, WA 98226 - (360) 671-2251 - 1-800-808-2251 - FAX: (360) 671-0780