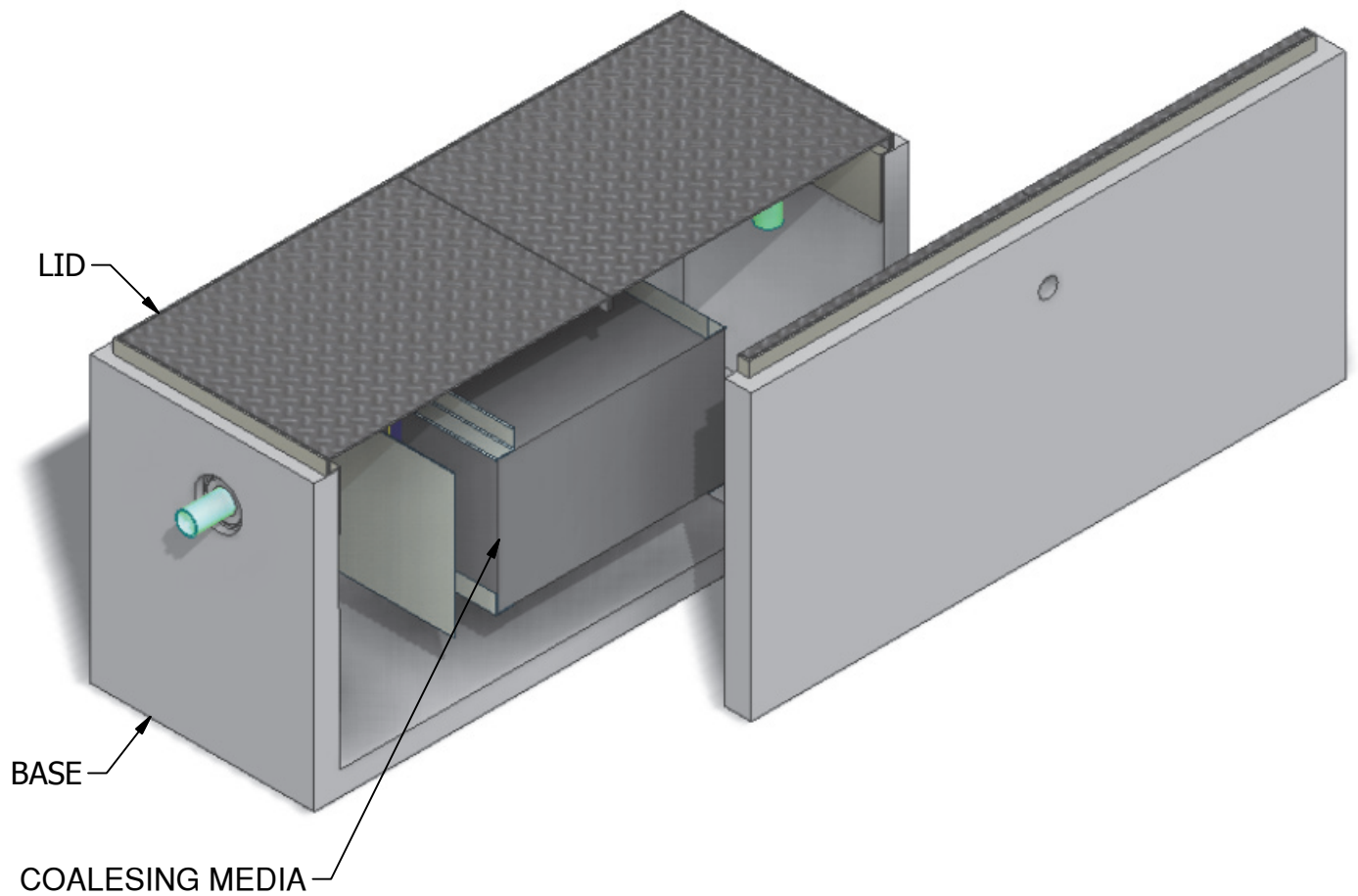


# 2 x 5 Coalescing Separator 1

Projected Plate Area: 120 Sq/ft  
Max. Process Flow Rate: 113 GPM



INTERIOR DIMENSIONS:  
1'-10"W x 4'-9"L x 2'-3 1/2"H

WEIGHTS:  
LID (200 lbs)  
BASE (1,532 lbs)

NOTE: Side panel has been shifted to show internal view and is not removable.

© 2013 Granite Precasting & Concrete, Inc.

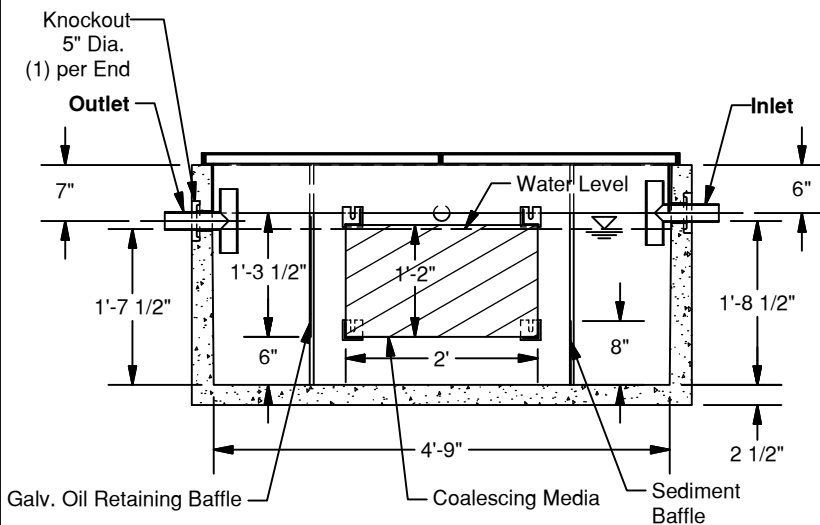
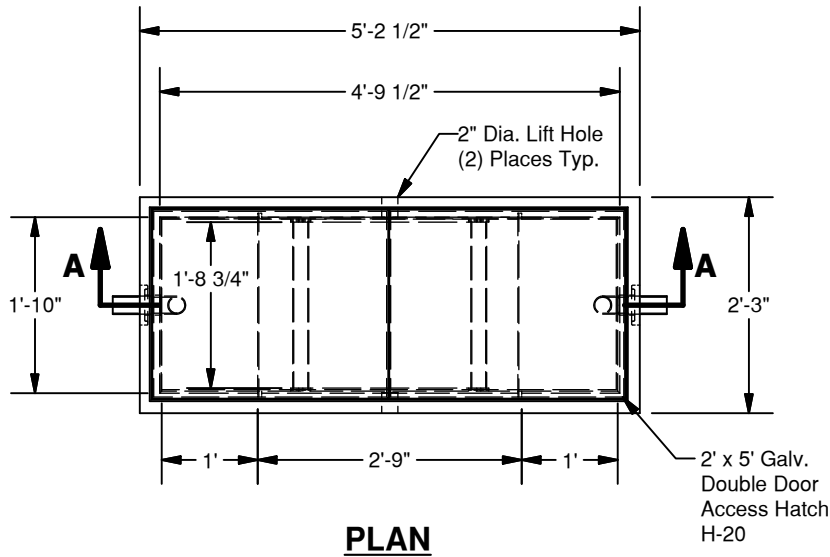


4116 BAKERVIEW SPUR, BELLINGHAM, WA 98226 - (360) 671-2251 - 1-800-808-2251 - FAX: (360) 671-0780

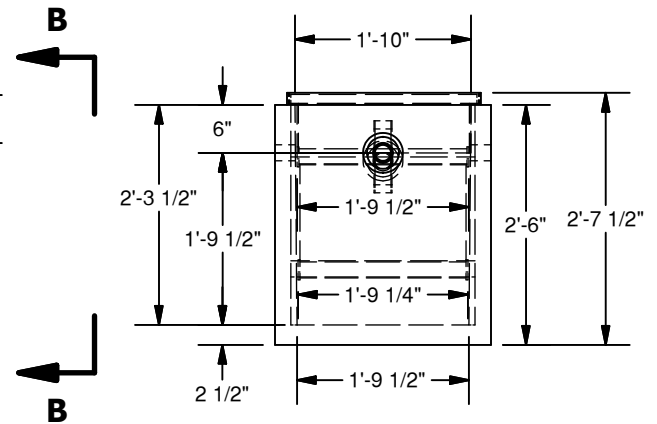
# 2 x 5 Coalescing Separator 1

Projected Plate Area: 120 Sq/ft  
Max. Process Flow Rate: 113 GPM

**BASIC DESIGN INFORMATION**  
 Design Flow = 30 GPM  
 Influent Oil Concentration = 100 ppm  
 Operating Temperature = 50 deg. F  
 Sized to Remove 60 micron and larger  
 Oil Specific Gravity = 0.88  
 Oil Rise Rate = 0.033 ft/min  
 Effluent Quality = 10 PPM  
 Designed per WA State Dept. of Ecology  
 "Volume V Runoff Treatment BMPs",  
 Chapter 11, August 2001



**SECTION A-A**



**VIEW B-B**

© 2011 Granite Precasting & Concrete, Inc.

**SPECIFICATIONS**

- Concrete: Fc=5,000 psi @ 28 days
- Rebar: ASTM A-615 Grade 60
- Design: ASTM C-857 "Minimum Structural Design Loading for Underground Precast Concrete Utility Structures"
- Loads: AASHTO HS-20
- Backfill with granular free draining material (sand or pea gravel) free of stones or cobbles greater than 4" dia.
- All pipe to be supplied and installed by contractor.
- Contractor to field install baffle.
- Fill with clean water prior to start up.
- Items shown are subject to change without notice.