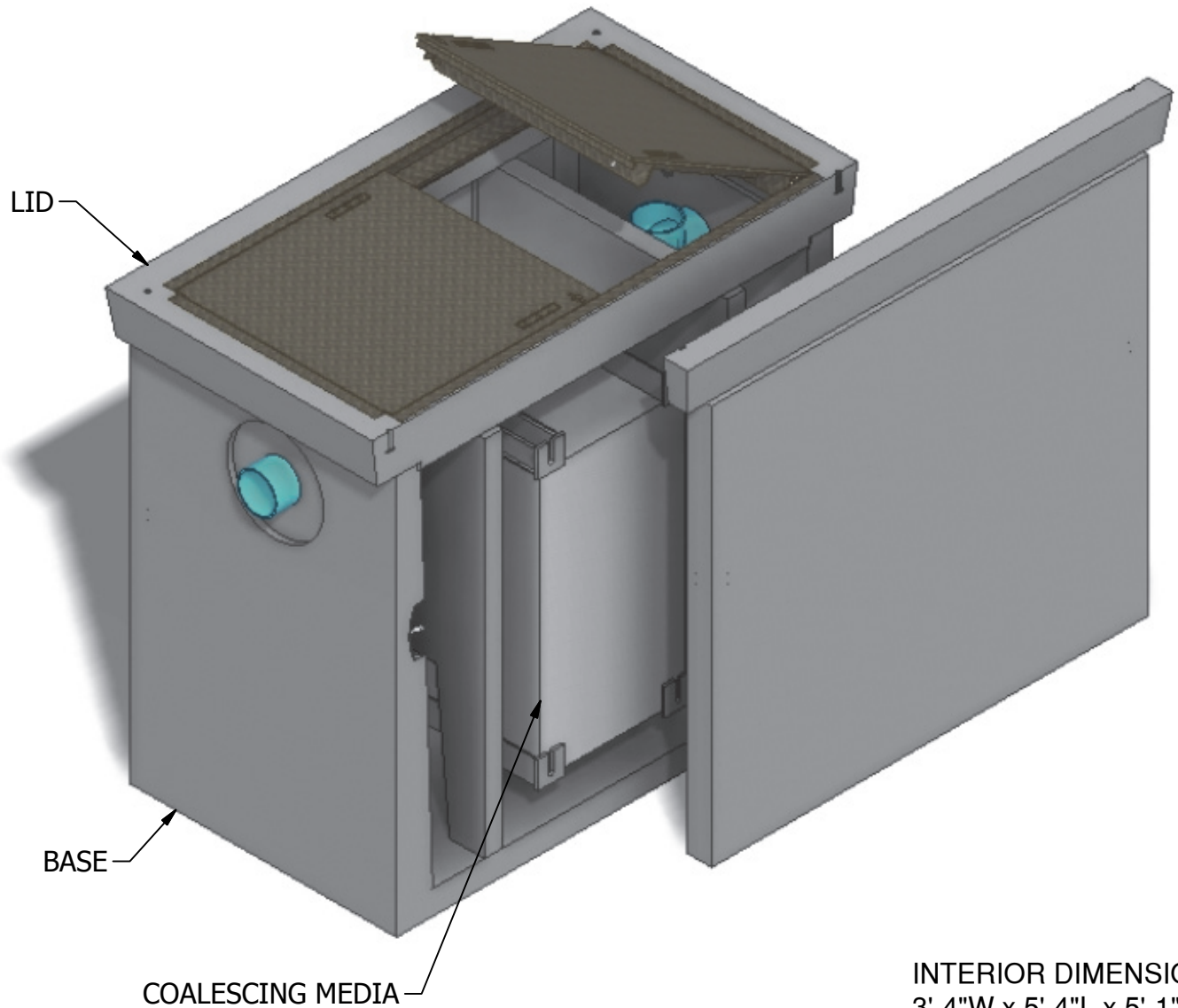


6 x 4 Coalescing Separator 1

Projected Plate Area: 756 Sq/ft
Max. Process Flow Rate: 715 GPM



NOTE: Side panel has been shifted to show internal view and is not removable.

© 2013 Granite Precasting & Concrete, Inc.

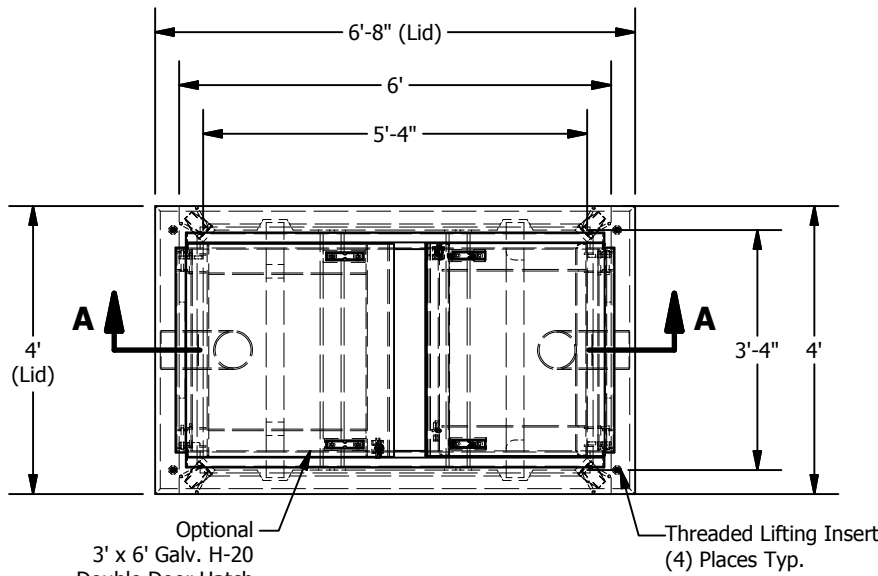


4116 BAKERVIEW SPUR, BELLINGHAM, WA 98226 - (360) 671-2251 - 1-800-808-2251 - FAX: (360) 671-0780

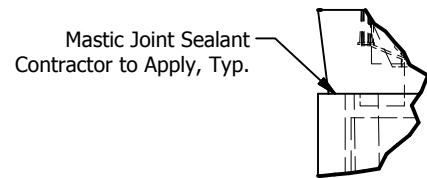
6 x 4 Coalescing Separator 1

Projected Plate Area: 756 Sq/ft
Max. Process Flow Rate: 715 GPM

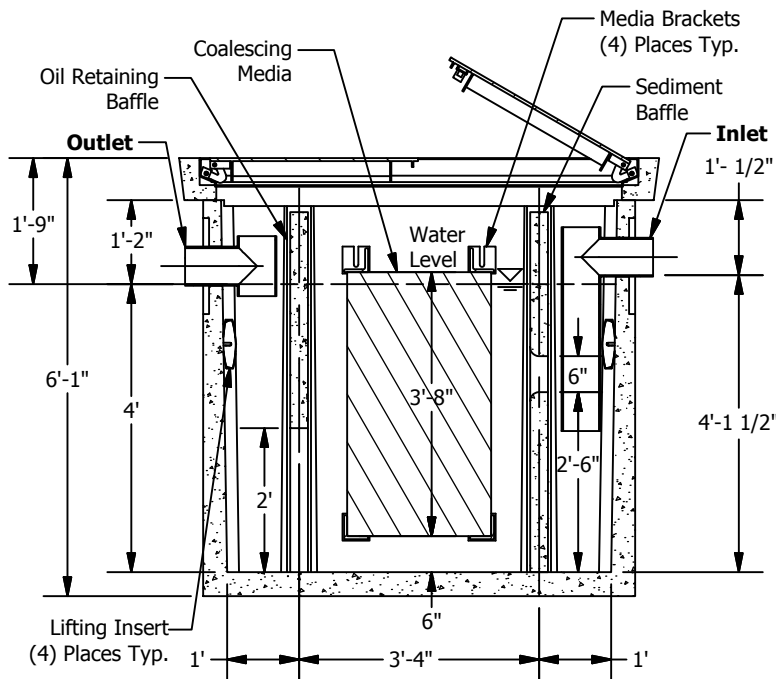
BASIC DESIGN INFORMATION
Design Flow = 190 GPM
Influent Oil Concentration = 100 ppm
Operating Temperature = 50 deg. F
Sized to Remove 60 micron and larger
Oil Specific Gravity = 0.88
Oil Rise Rate = 0.033 ft/min
Effluent Quality = 10 PPM
Designed per WA State Dept. of Ecology
"Volume V Runoff Treatment BMPs",
Chapter 11, August 2001



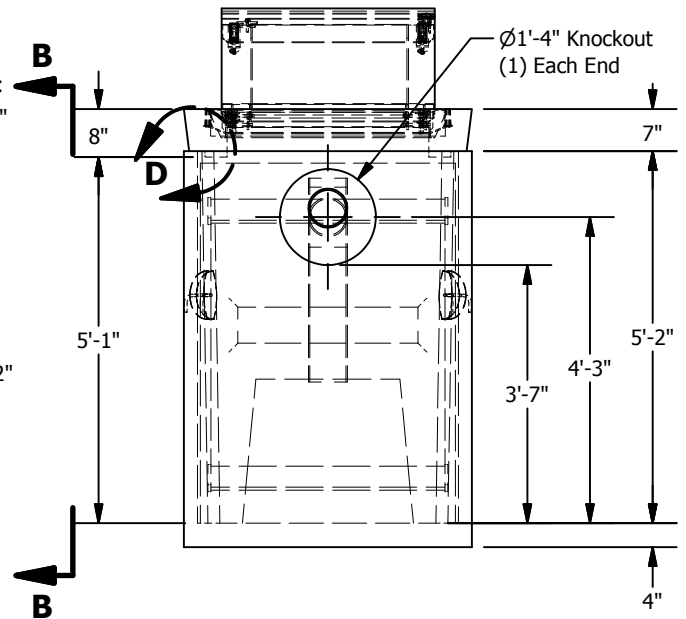
PLAN



JOINT DETAIL D
SCALE 1 / 16



SECTION A-A



VIEW B-B

© 2013 Granite Precasting & Concrete, Inc.

SPECIFICATIONS

1. Concrete: Fc=5,000 psi @ 28 days
2. Rebar: ASTM A-615 Grade 60
3. Design: ASTM C-857 "Minimum Structural Design Loading for Underground Precast Concrete Utility Structures"
4. Loads: AASHTO HS-20
5. Backfill with granular free draining material (sand or pea gravel) free of stones or cobbles greater than 4" dia.
6. All pipe to be supplied and installed by contractor.
7. Contractor to field install baffle.
8. Fill with clean water prior to start up.
9. Items shown are subject to change without notice.