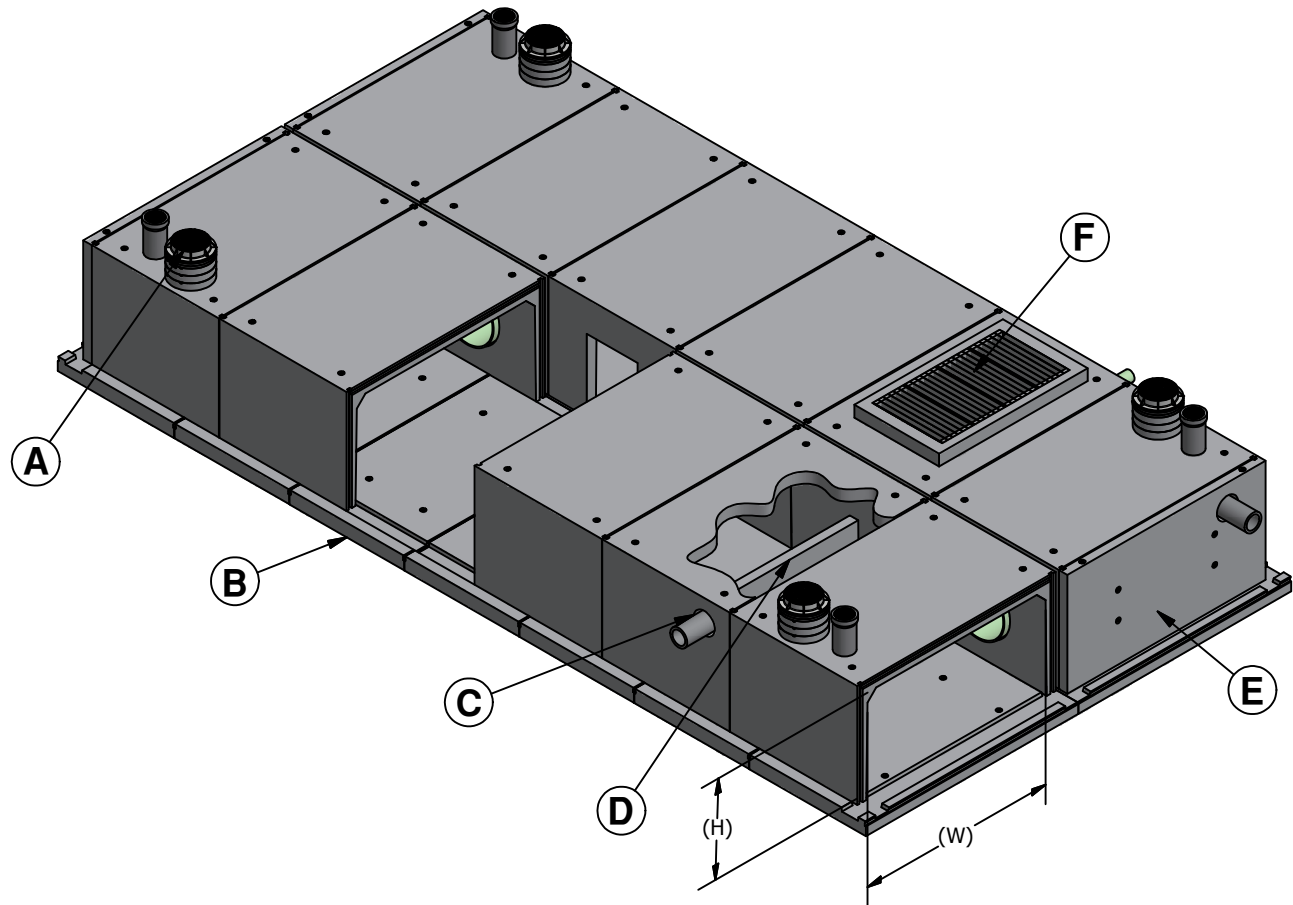


Multiple Cell Detention Vault



- (A) ACCESS AS REQUIRED
- (B) OPTIONAL BASE SLAB
- (C) OPENINGS AS REQUIRED
- (D) OPTIONAL BAFFLE WALL
- (E) END WALL
- (F) OPTIONAL HATCH OR ACCESS AREA

(W) SINGLE CELL VARIABLE WIDTH - (I.D.) - 6' MIN. TO 35' MAX.
(H) VARIABLE HEIGHT - (I.D.) - 2' MIN. TO 10' MAX.

© 2013 Granite Precasting & Concrete, Inc.



4116 BAKERVIEW SPUR, BELLINGHAM, WA 98226 - (360) 671-2251 - 1-800-808-2251 - FAX: (360) 671-0780