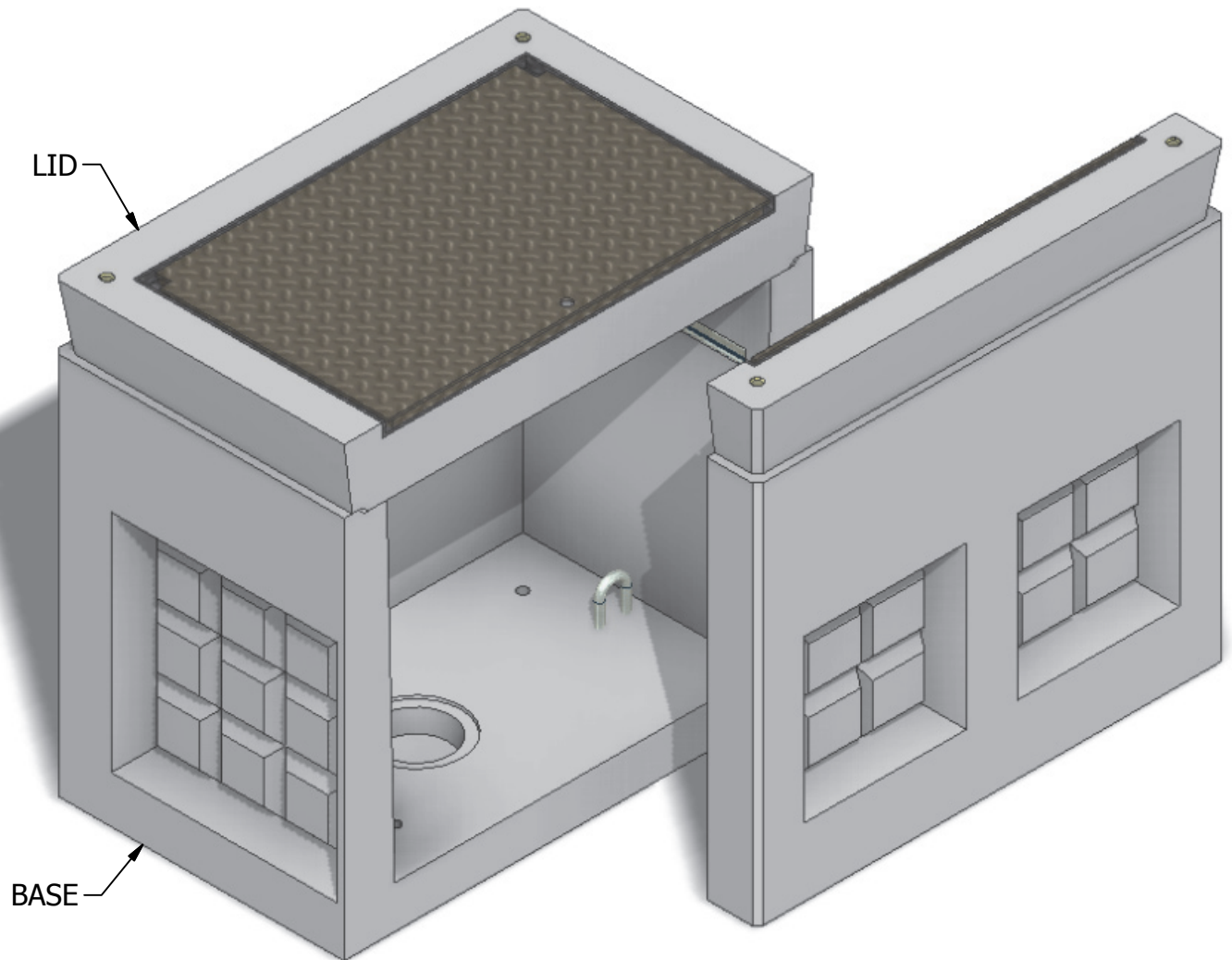


2 x 3 Electrical Vault



INTERIOR DIMENSIONS:
1'-10 1/2"W x 2'-10 1/2"L x 2'-7 1/2"H

WEIGHTS:
LID (750 lbs)
BASE (1,900 lbs)

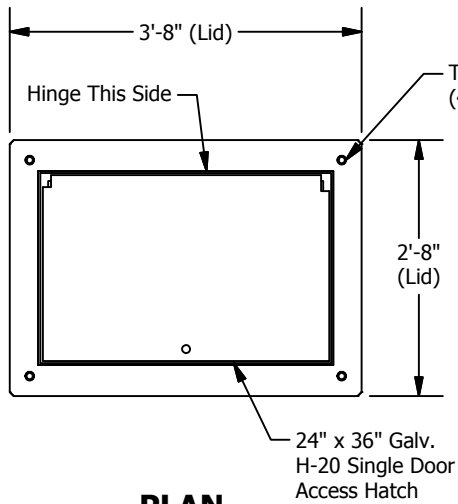
NOTE: Side panel has been shifted to show internal view and is not removable.

© 2013 Granite Precasting & Concrete, Inc.

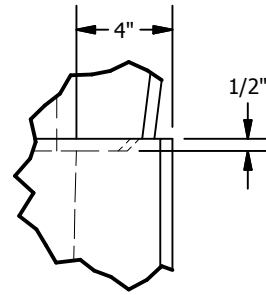


4116 BAKERVIEW SPUR, BELLINGHAM, WA 98226 - (360) 671-2251 - 1-800-808-2251 - FAX: (360) 671-0780

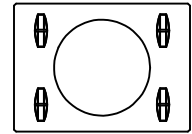
2 x 3 Electrical Vault



PLAN

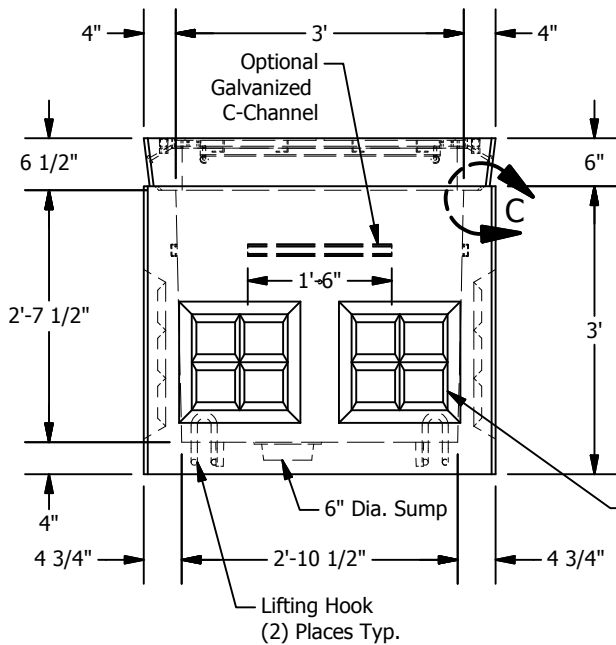


JOINT DETAIL C
SCALE 1/8

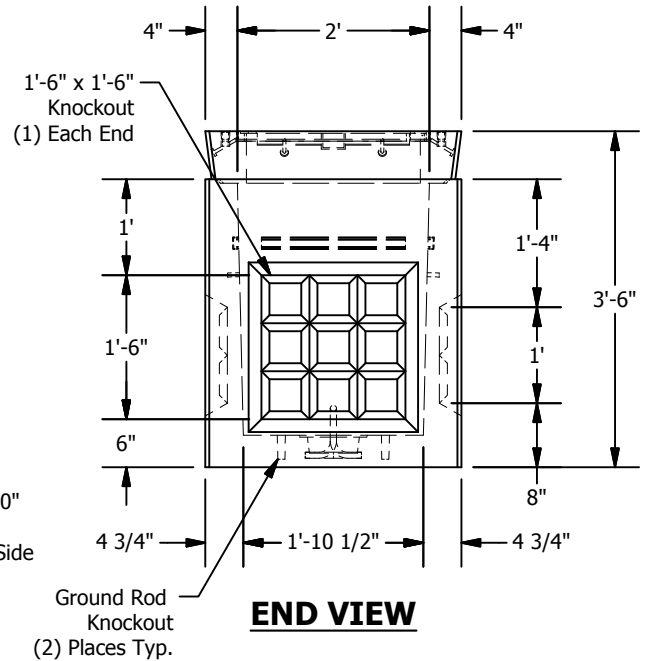


2' x 3' Lid
w/ 24\"/>

LID OPTION



SIDE VIEW



END VIEW

© 2013 Granite Precasting & Concrete, Inc.

SPECIFICATIONS

1. Concrete: Fc=5,000 psi @28 days
2. Rebar: ASTM A-615 Grade 60
3. Design: ASTM C-857 "Minimum Structural Design Loading for Underground Precast Concrete Utility Structures"
4. Loads: AASHTO HS-20
5. Backfill with granular free draining material (sand or pea gravel) free of stones or cobbles greater than 4" in dia.
6. Install lid prior to backfill.
7. Items shown are subject to change without notice.