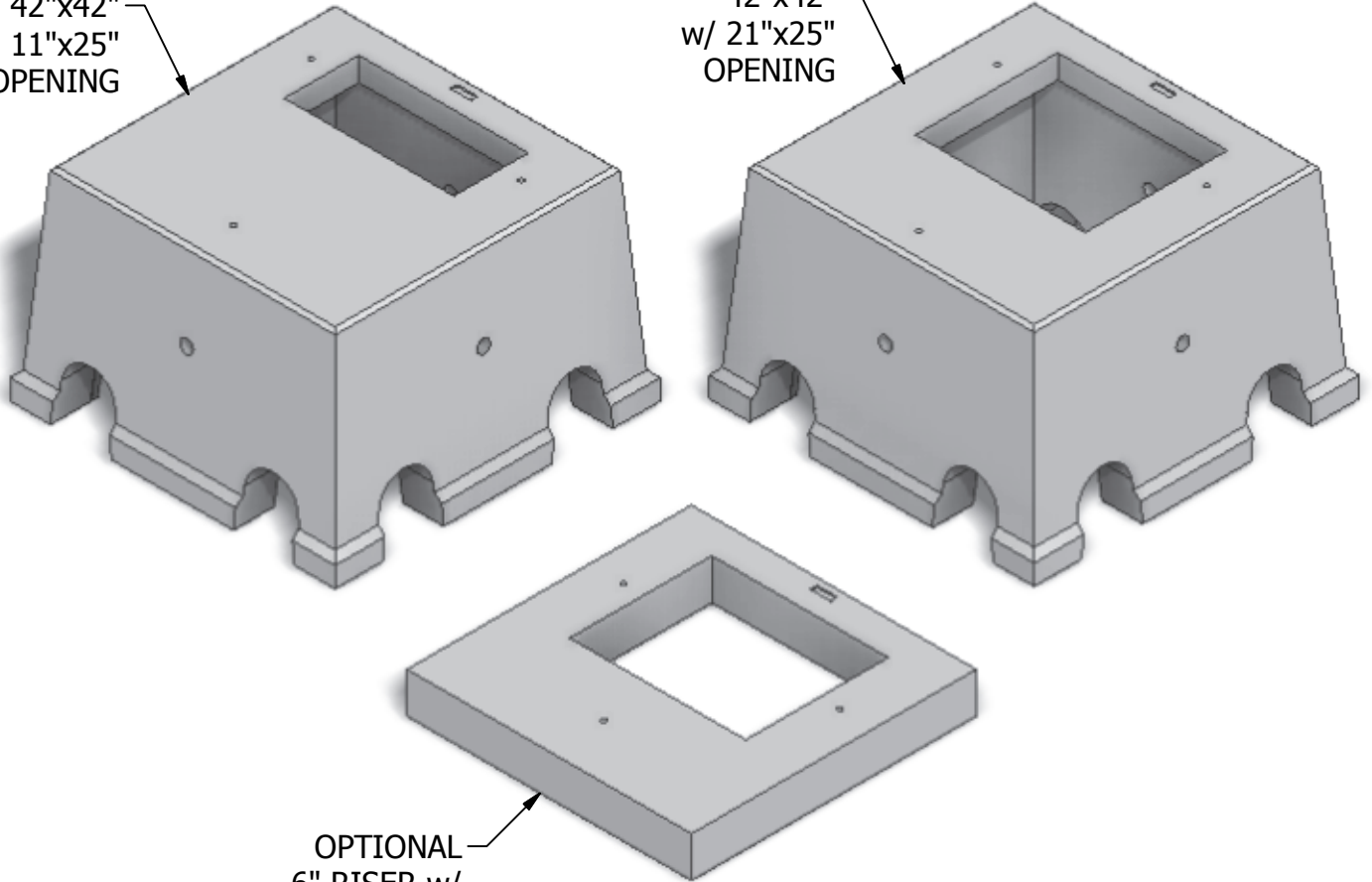


42 x 42 Electrical Vault

42"x42"
w/ 11"x25"
OPENING

42"x42"
w/ 21"x25"
OPENING



OPTIONAL
6" RISER w/
11"x25" or
21" x 25"
Opening

WEIGHTS:

42"x42" w/ 11"x25" (1,910 lbs)
42"x42" w/ 21"x25" (1,780 lbs)
6" RISER (750 lbs)

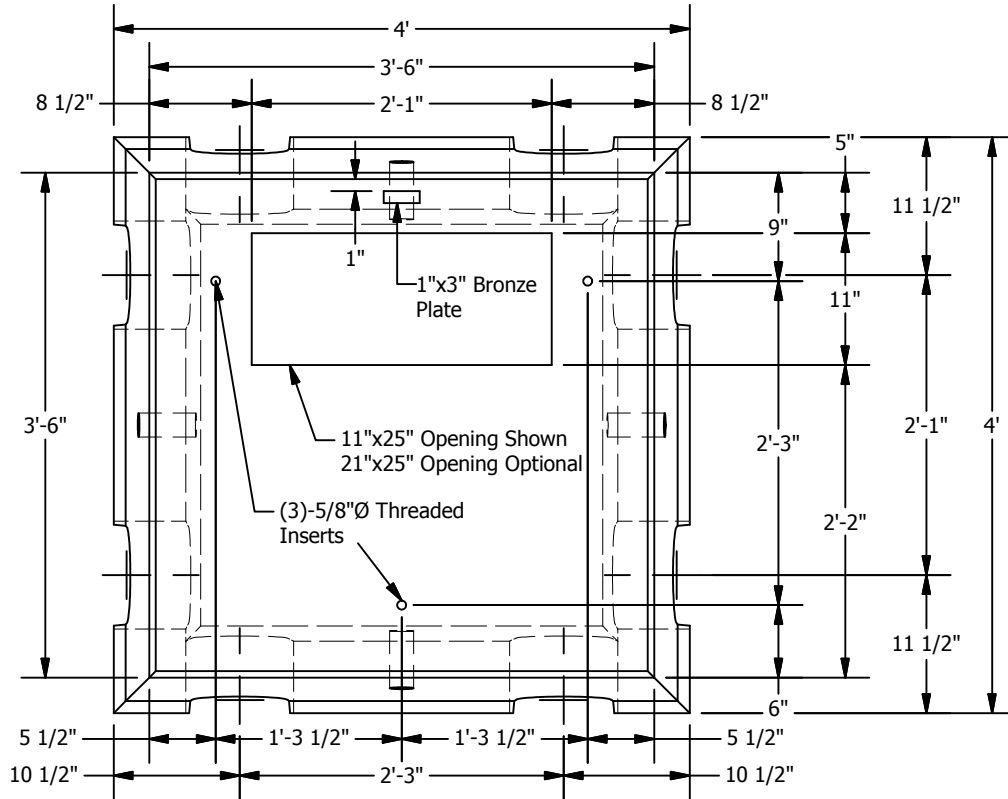
© 2013 Granite Precasting & Concrete, Inc.



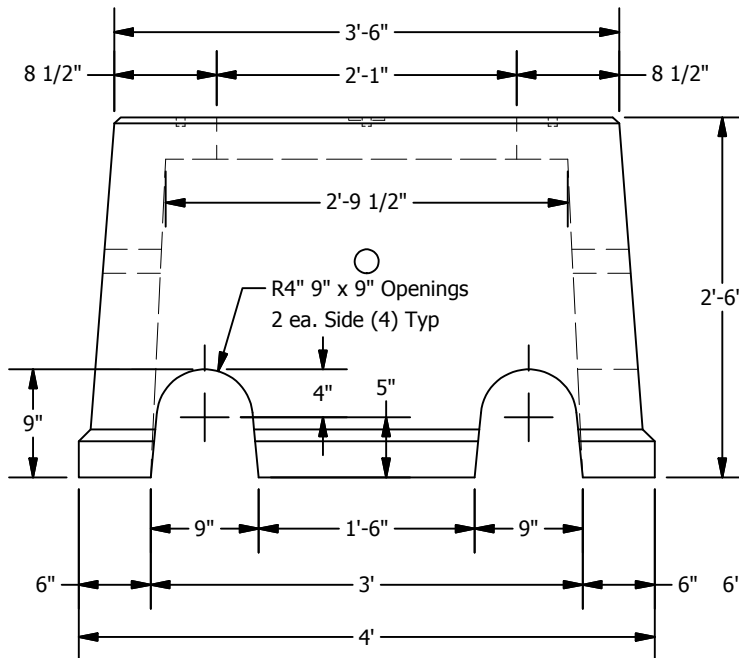
GRANITE™
PRECAST

4116 BAKERVIEW SPUR, BELLINGHAM, WA 98226 - (360) 671-2251 - 1-800-808-2251 - FAX: (360) 671-0780

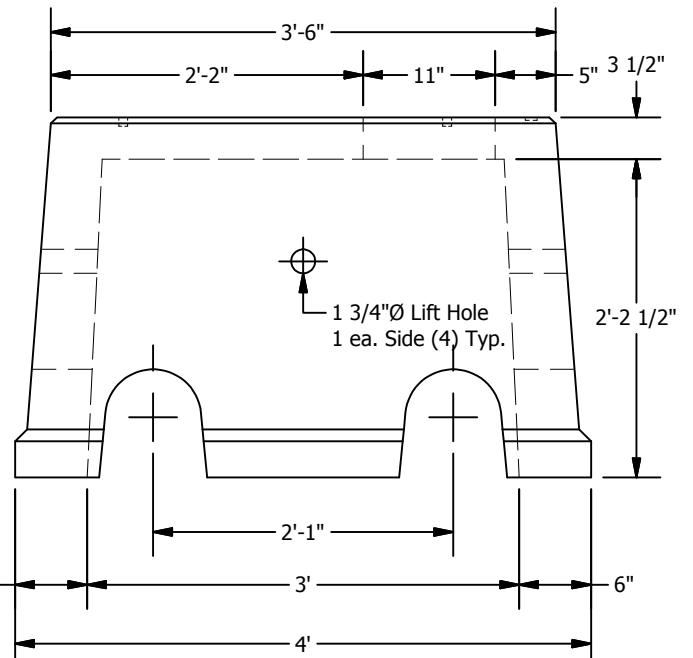
42 x 42 Electrical Vault



PLAN



SIDE VIEW



END VIEW

© 2013 Granite Precasting & Concrete, Inc.

SPECIFICATIONS

- Concrete: $F_c=6,000$ psi @28 days
- Rebar: ASTM A-615 Grade 60
- Design: ASTM C-857 "Minimum Structural Design Loading for Underground Precast Concrete Utility Structures"
- Loads: AASHTO H-10
- Backfill with granular free draining material (sand or pea gravel) free of stones or cobbles greater than 4" in dia.
- Items shown are subject to change without notice.