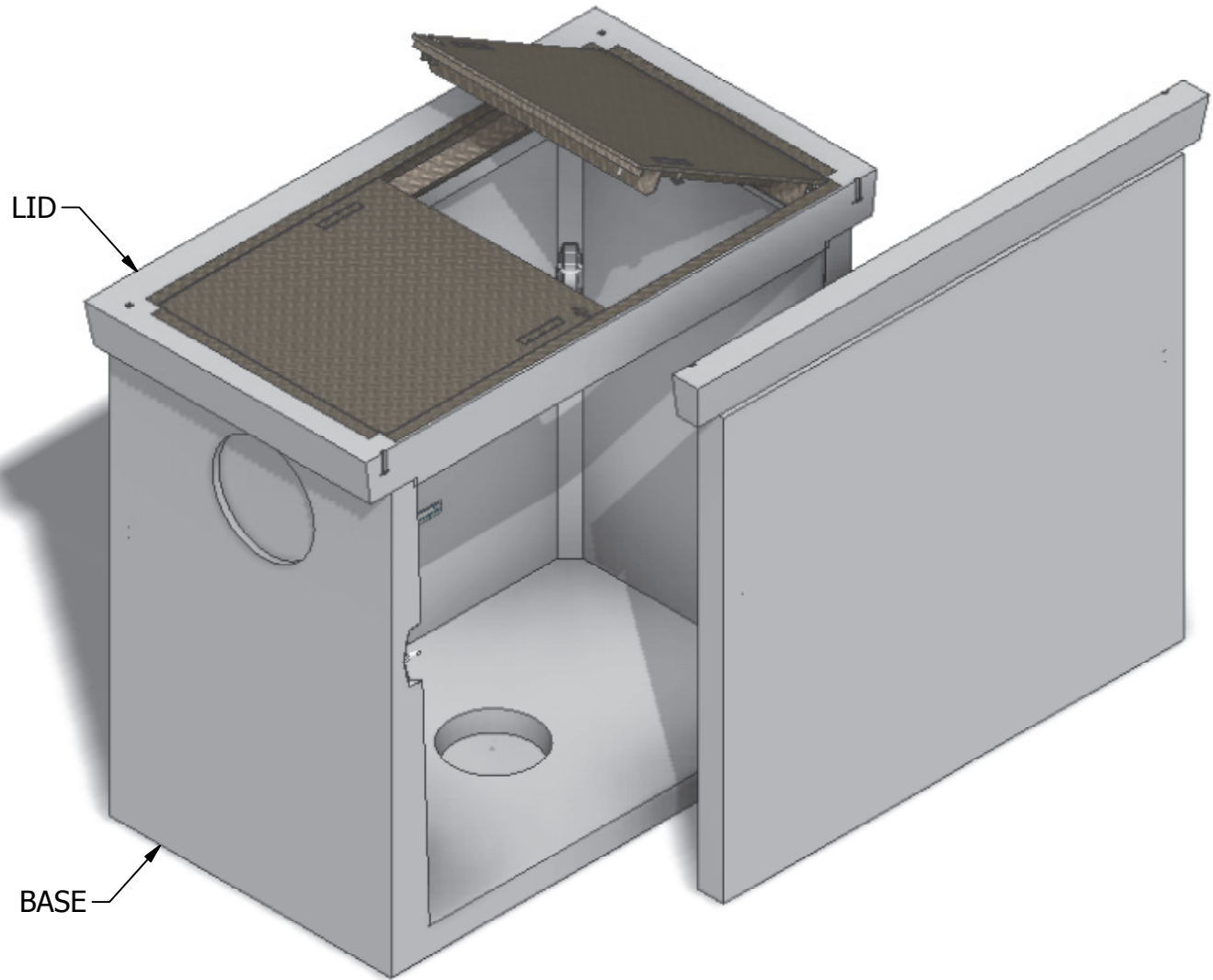


6 x 4 Electrical Vault



INTERIOR DIMENSIONS:
3'-4"W x 5'-4"L x 5'-1"H

WEIGHTS:
LID (1,220 lbs)
BASE (5,320 lbs)

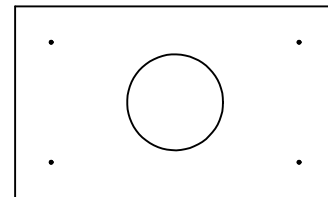
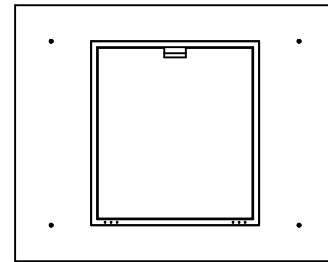
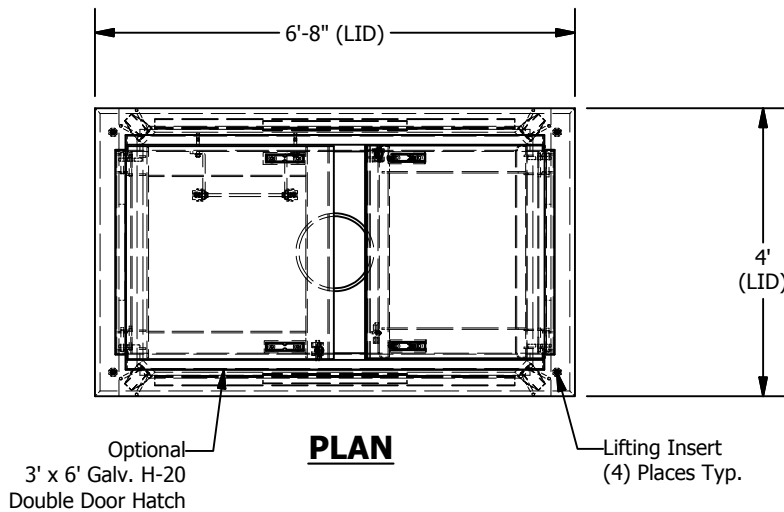
NOTE: Side panel has been shifted to show internal view and is not removable.

© 2013 Granite Precasting & Concrete, Inc.

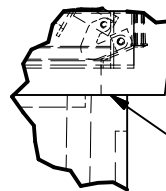


4116 BAKERVIEW SPUR, BELLINGHAM, WA 98226 - (360) 671-2251 - 1-800-808-2251 - FAX: (360) 671-0780

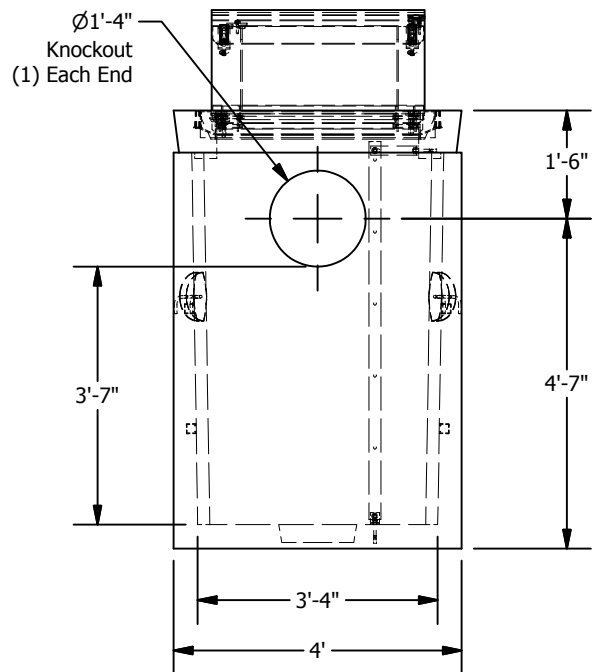
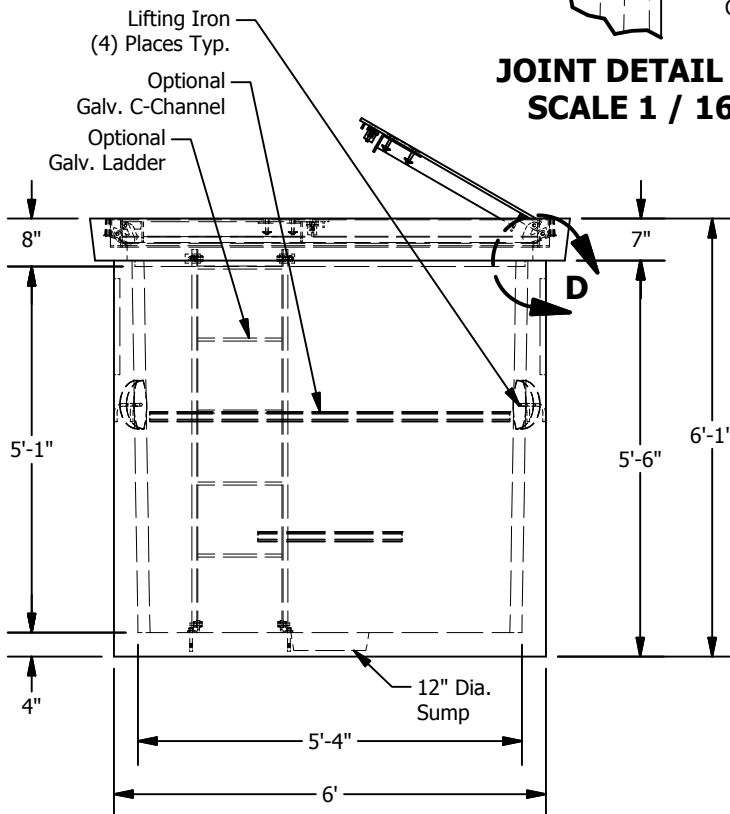
6 x 4 Electrical Vault



LID OPTIONS



JOINT DETAIL D SCALE 1 / 16



© 2013 Granite Precasting & Concrete, Inc.

SPECIFICATIONS

- Concrete: $f_c=5,000$ psi @28 days
- Rebar: ASTM A-615 Grade 60
- Design: ASTM C-857 "Minimum Structural Design Loading for Underground Precast Concrete Utility Structures"
- Loads: AASHTO HS-20
- Backfill with granular free draining material (sand or pea gravel) free of stones or cobbles greater than 4" in dia.
- Install lid prior to backfill.
- Items shown are subject to change without notice.