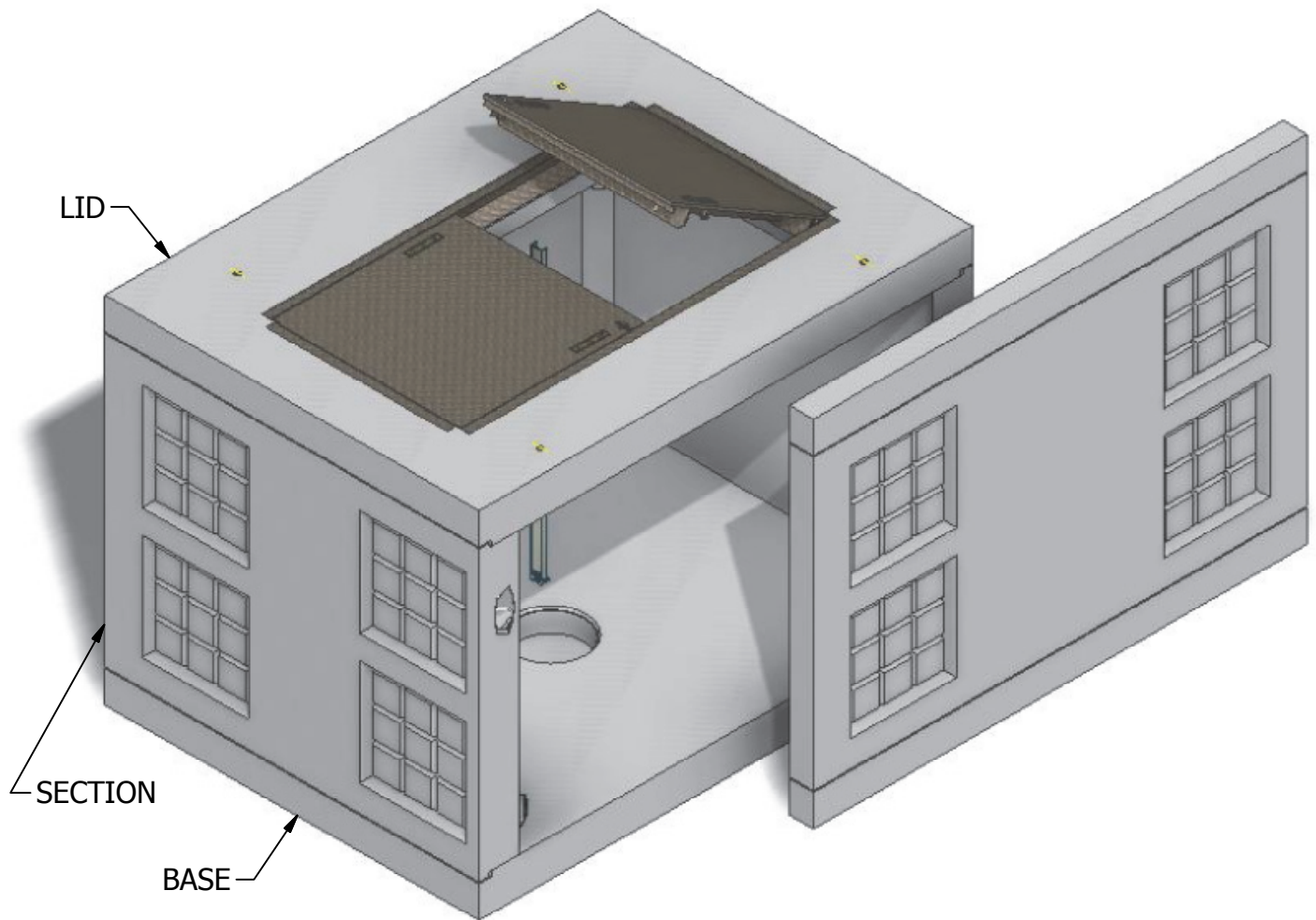


# 6 x 7.5 Electrical Vault



INTERIOR DIMENSIONS:  
5'-6"W x 7'-0"L x 4'-5"H

WEIGHTS:  
LID (3,800 lbs)  
SECTION (6,320 lbs)  
BASE (3,800 lbs)

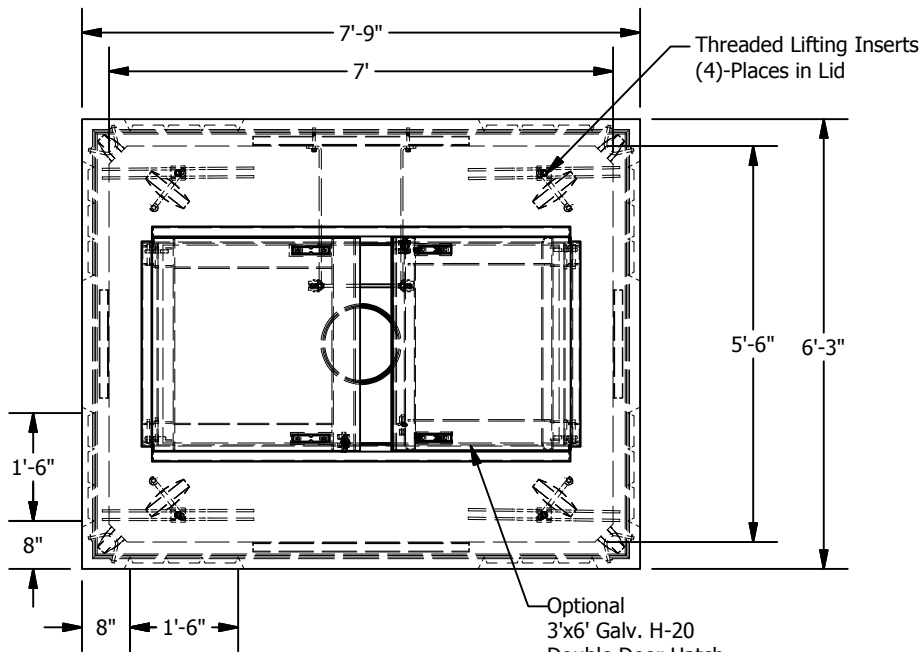
NOTE: Side panel has been shifted to show internal view and is not removable.

© 2013 Granite Precasting & Concrete, Inc.

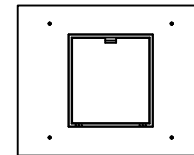


4116 BAKERVIEW SPUR, BELLINGHAM, WA 98226 - (360) 671-2251 - 1-800-808-2251 - FAX: (360) 671-0780

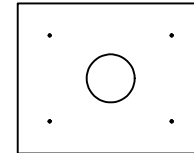
# 6 x 7.5 Electrical Vault



**PLAN**



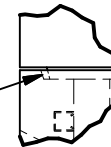
6' x 7' Lid  
w/ 3' x 3' Hatch



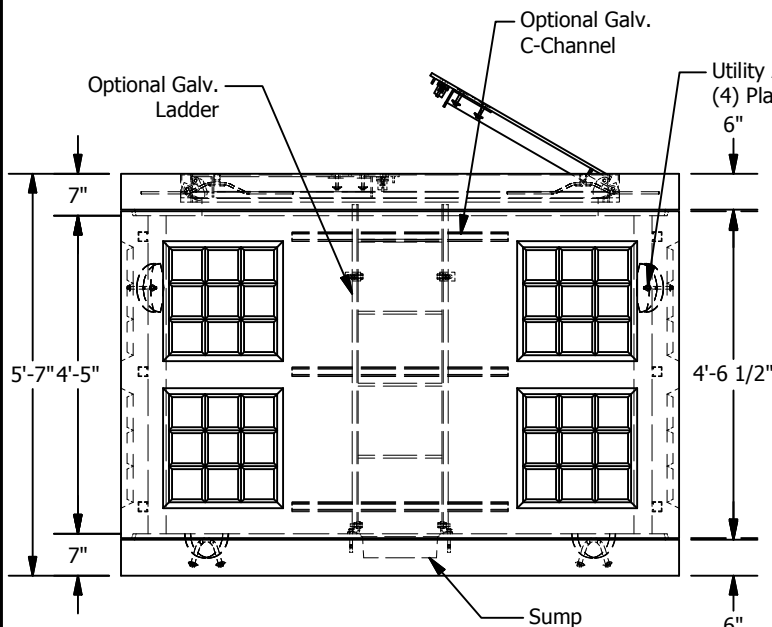
6' x 7' Lid  
w/ 24", 30", 36",  
42", or 48" Dia.  
Opening

**LID OPTIONS**

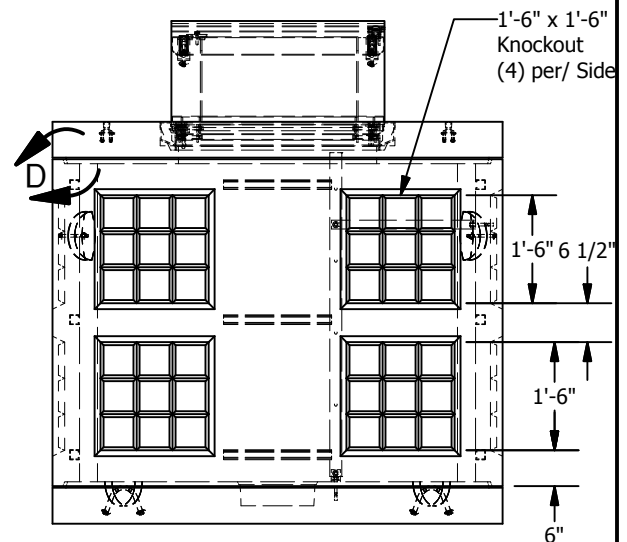
Mastic Joint Sealant  
Contractor to Apply, Typ.



**JOINT DETAIL D**  
**SCALE 1 / 16**



**SIDE VIEW**



**END VIEW**

© 2013 Granite Precasting & Concrete, Inc.

**SPECIFICATIONS**

1. Concrete:  $f_c=5,000$  psi @28 days
2. Rebar: ASTM A-615 Grade 60
3. Design: ASTM C-857 "Minimum Structural Design Loading for Underground Precast Concrete Utility Structures"
4. Loads: AASHTO HS-20
5. Backfill with granular free draining material (sand or pea gravel) free of stones or cobbles greater than 4" in dia.
6. Install lid prior to backfill.
7. Items shown are subject to change without notice.