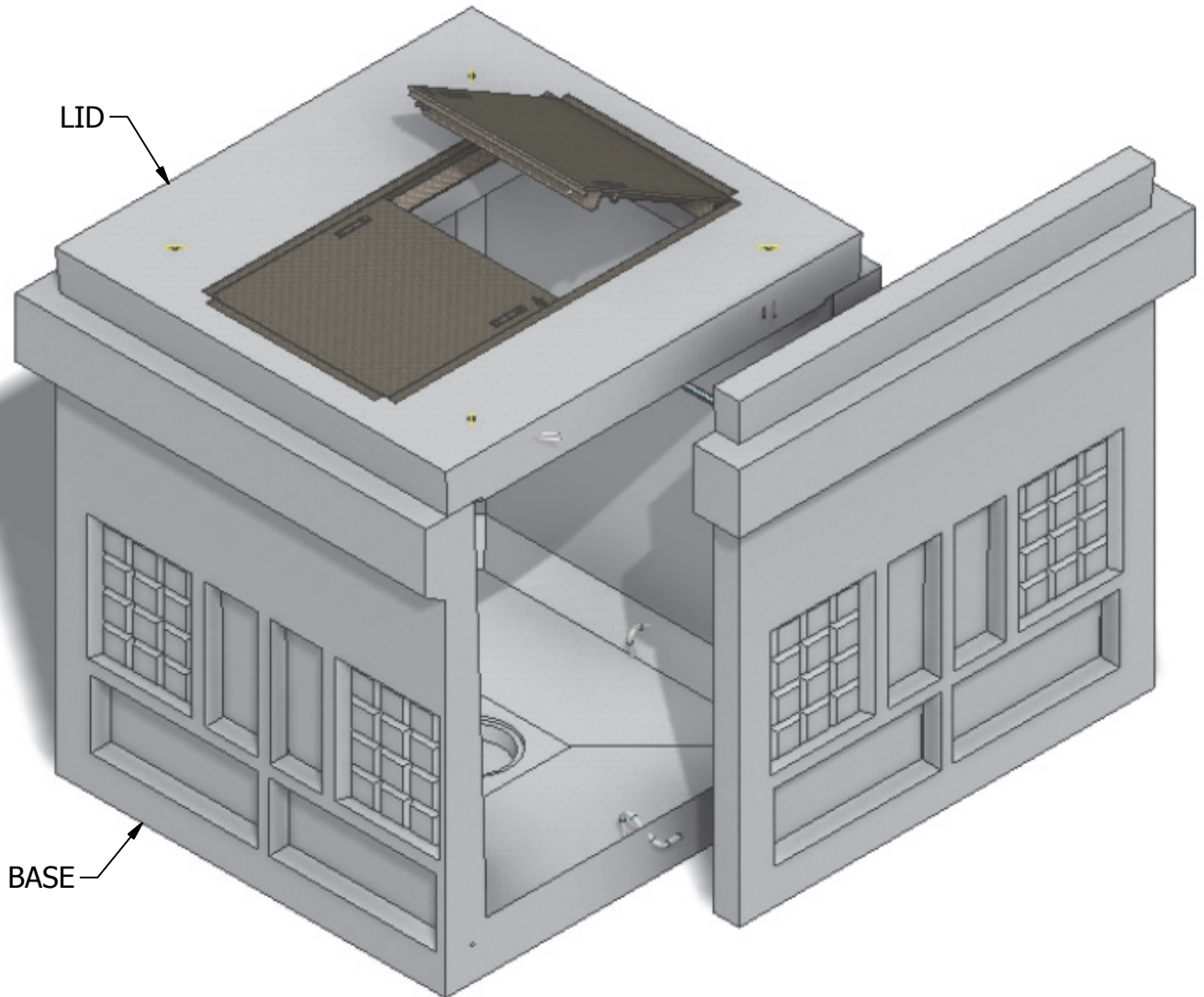


7 x 7.7 Electrical Vault



INTERIOR DIMENSIONS:
6'-2 1/2"W x 6'-2 1/2"L x 6'-6"H

WEIGHTS:
LID (5,462 lbs)
BASE (15,907 lbs)

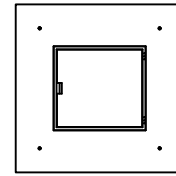
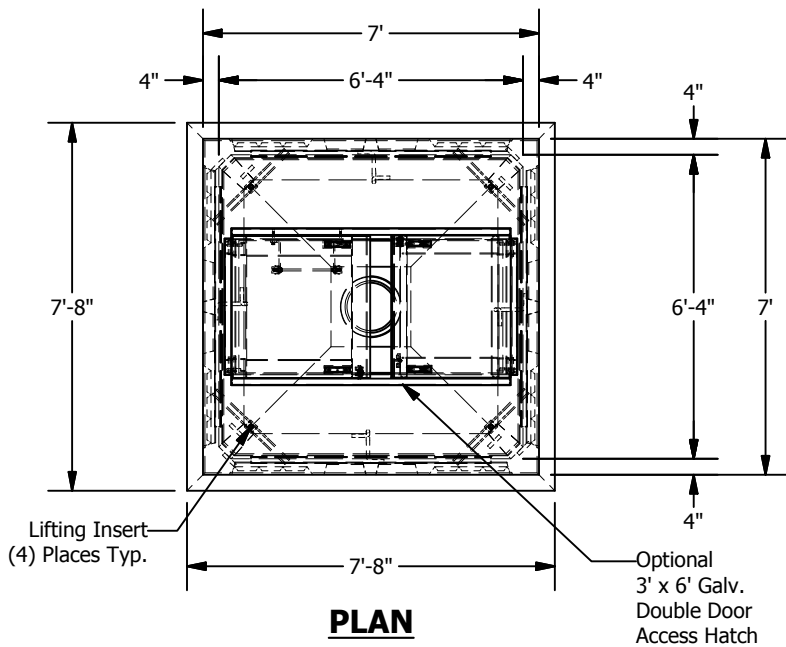
NOTE: Side panel has been shifted to show internal view and is not removable.

© 2013 Granite Precasting & Concrete, Inc.

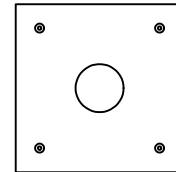


4116 BAKERVIEW SPUR, BELLINGHAM, WA 98226 - (360) 671-2251 - 1-800-808-2251 - FAX: (360) 671-0780

7 x 7.7 Electrical Vault



7' x 7' Lid
w/ 3' x 3' Hatch



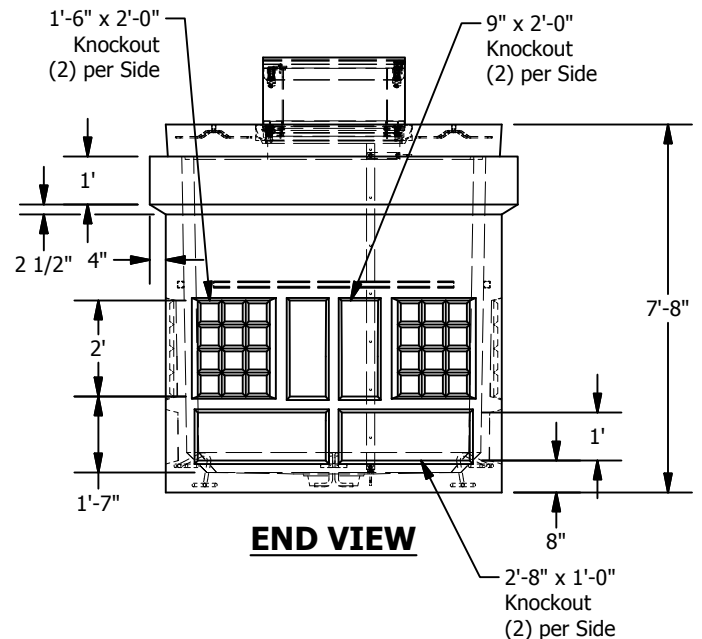
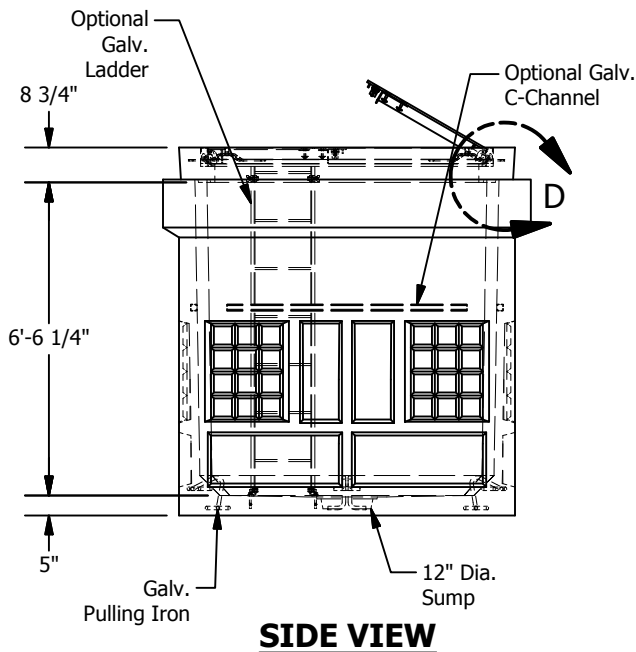
7' x 7' Lid
w/ 24", 30", 36",
42", or 48" Dia.
Opening

LID OPTIONS



Mastic Joint Sealant
Contractor to Apply, Typ.

JOINT DETAIL D SCALE 1 / 24



© 2013 Granite Precasting & Concrete, Inc.

SPECIFICATIONS

1. Concrete: Fc=5,000 psi @28 days
2. Rebar: ASTM A-615 Grade 60
3. Design: ASTM C-857 "Minimum Structural Design Loading for Underground Precast Concrete Utility Structures"
4. Loads: AASHTO HS-20
5. Backfill with granular free draining material (sand or pea gravel) free of stones or cobbles greater than 4" in dia.
6. Install lid prior to backfill.
7. Items shown are subject to change without notice.