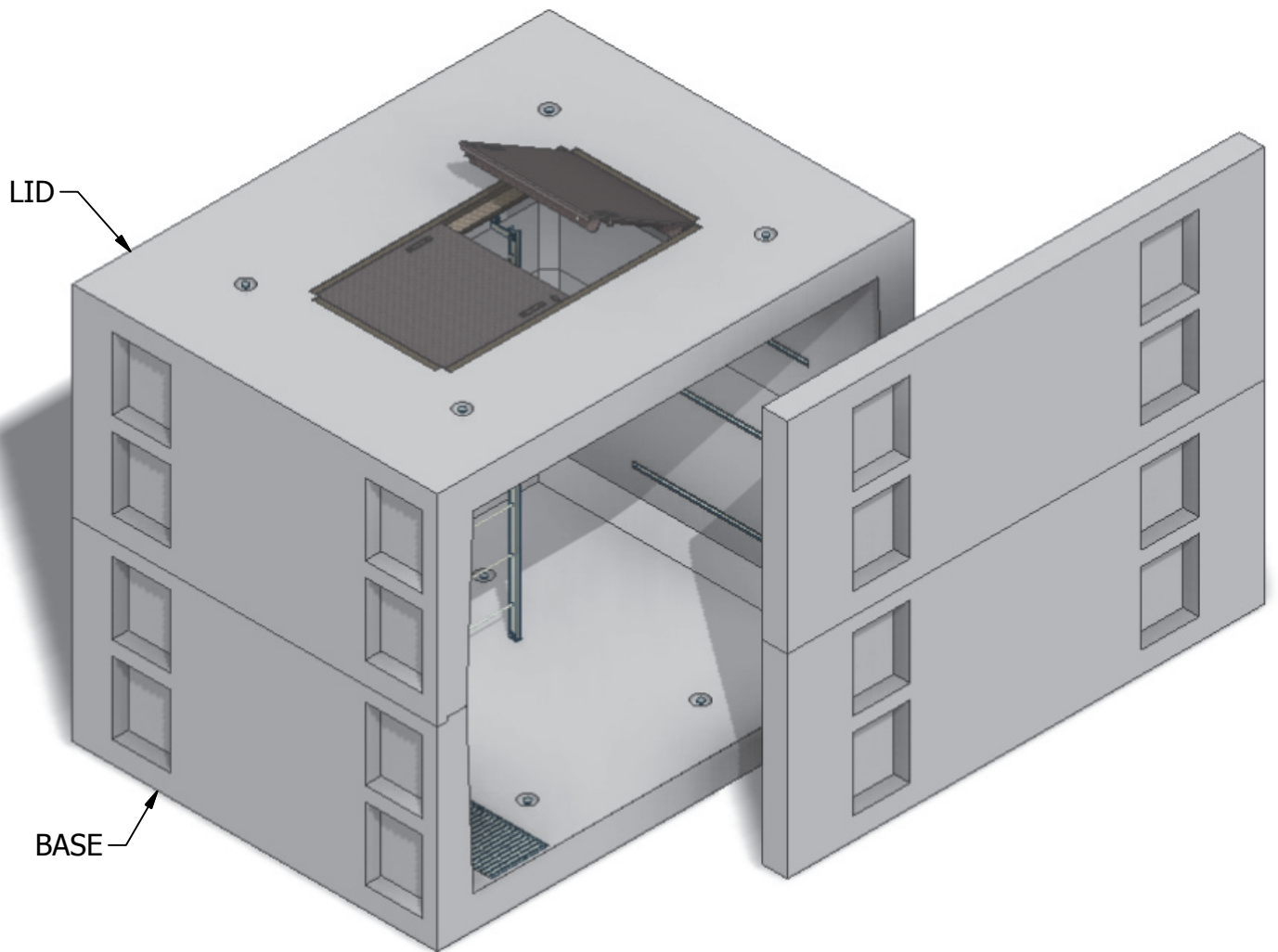


8 x 10 Electrical Vault



INTERIOR DIMENSIONS:
8'W x 10'L x 8'H

WEIGHTS:
LID (20,320 lbs)
BASE (21,340 lbs)

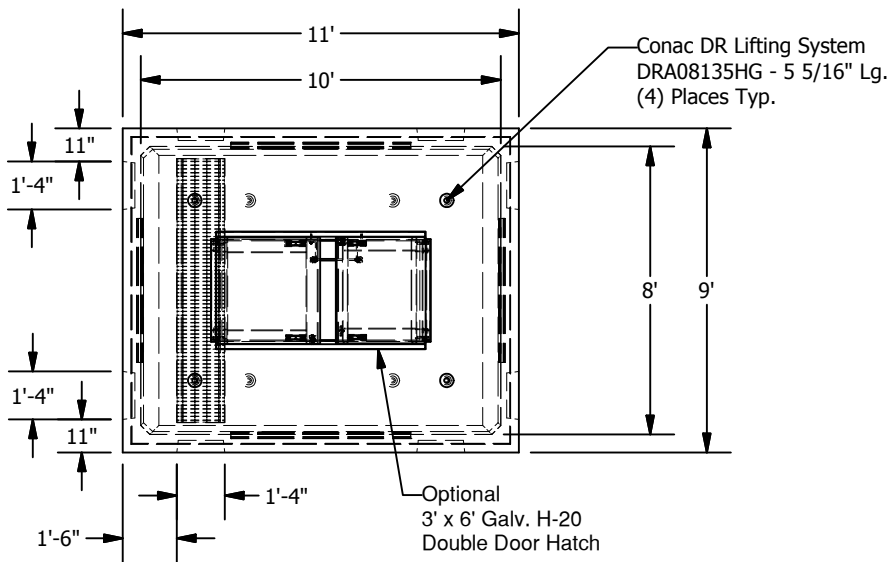
NOTE: Side panel has been shifted to show internal view and is not removable.

© 2013 Granite Precasting & Concrete, Inc.

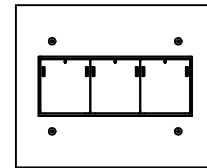


4116 BAKERVIEW SPUR, BELLINGHAM, WA 98226 - (360) 671-2251 - 1-800-808-2251 - FAX: (360) 671-0780

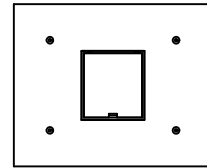
8 x 10 Electrical Vault



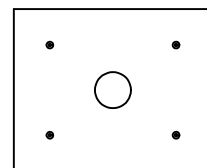
PLAN



8' x 10' Lid
w/ 3' x 9'
Galv. Hatch



8' x 10' Lid
w/ 3' x 3' Hatch



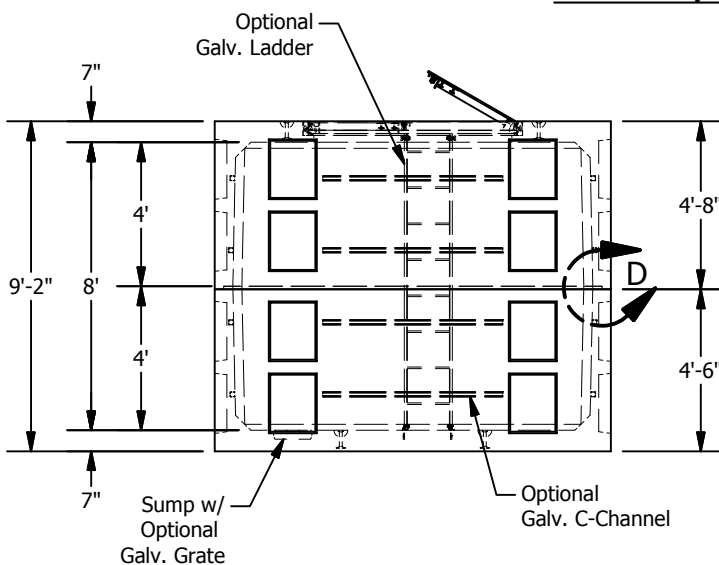
8' x 10' Lid
w/ 24", 30", 36",
42", or 48" Dia.
Opening

LID OPTIONS

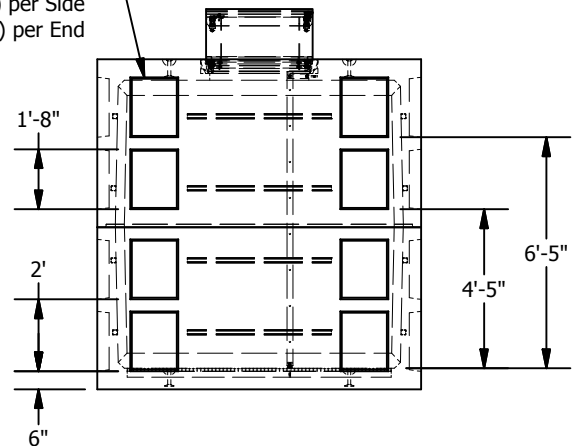


Mastic Joint Sealant
Contractor to Apply, Typ.

**JOINT DETAIL D
SCALE 1 / 32**



Knockout
1'-4" X 1'-8"
(8) per Side
(8) per End



© 2013 Granite Precasting & Concrete, Inc.

SPECIFICATIONS

- Concrete: $F_c=5,000$ psi @28 days
- Rebar: ASTM A-615 Grade 60
- Design: ASTM C-857 "Minimum Structural Design Loading for Underground Precast Concrete Utility Structures"
- Loads: AASHTO HS-20
- Backfill with granular free draining material (sand or pea gravel) free of stones or cobbles greater than 4" in dia.
- Install lid prior to backfill.
- Items shown are subject to change without notice.