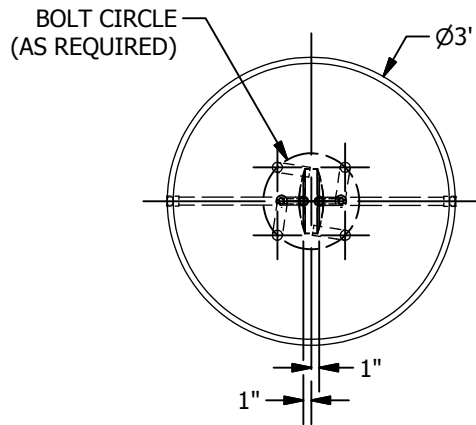
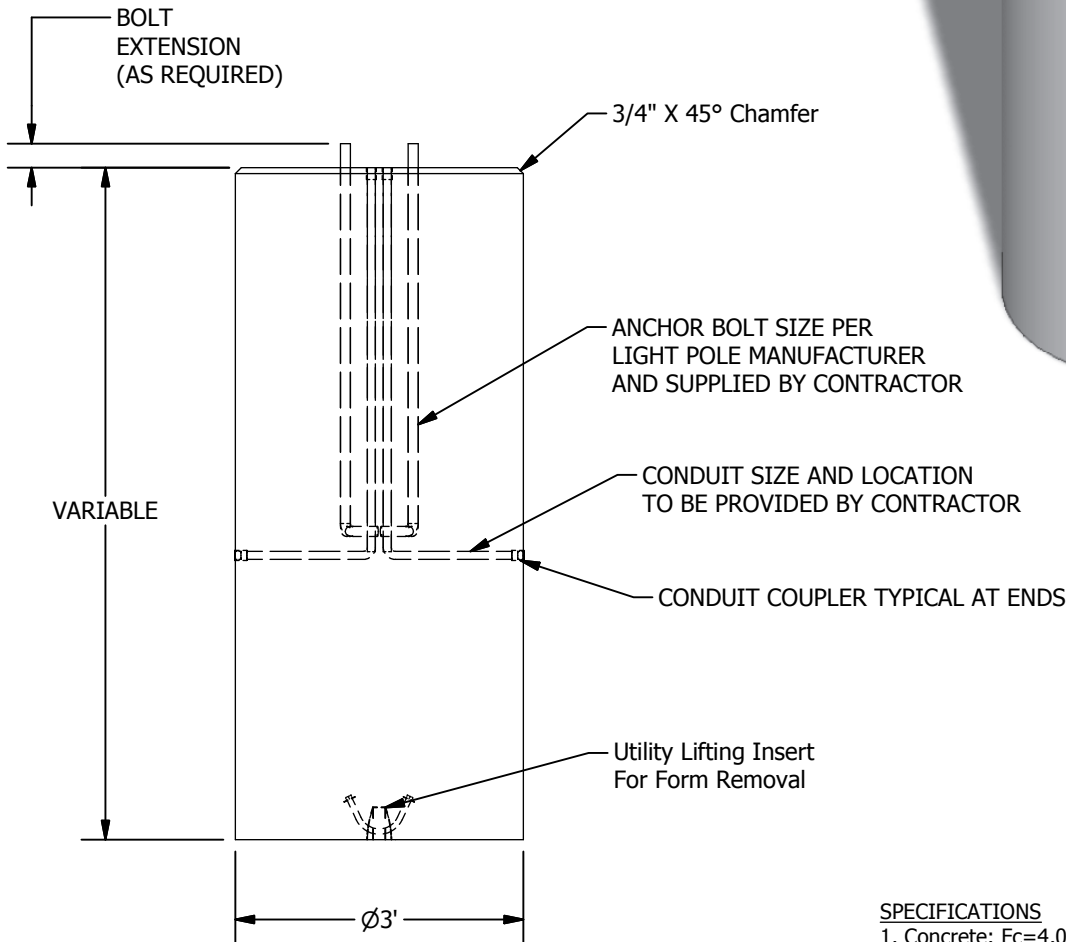


# 36"Ø LIGHT POLE BASE



**PLAN**



**ELEVATION**



**ISO**

**SPECIFICATIONS**

1. Concrete:  $F_c=4,000$  psi @28 days
2. Rebar: ASTM A-615 Grade 60
3. Design: ASTM C-857 "Minimum Structural Design Loading for Underground Precast Concrete Utility Structures"
4. Items Shown are Subject to Change without Notice.

© 2013 Granite Precasting & Concrete, Inc.



4116 BAKERVIEW SPUR, BELLINGHAM, WA 98226 - (360) 671-2251 - 1-800-808-2251 - FAX: (360) 671-0780