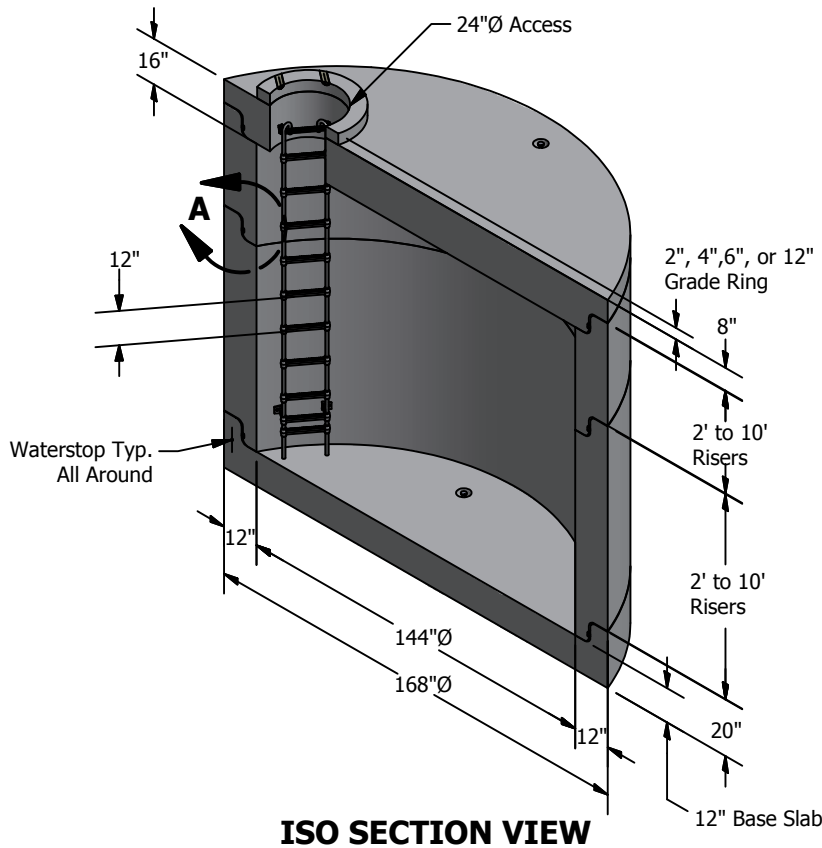
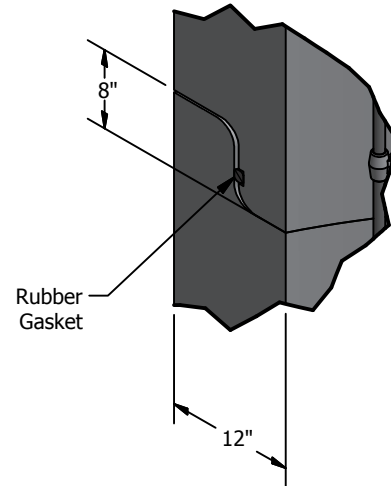
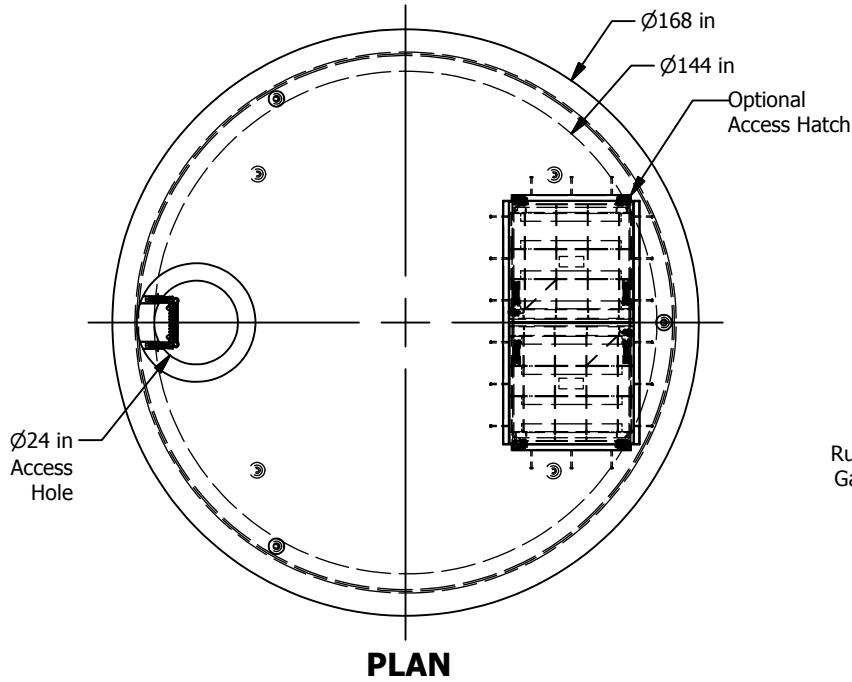


144" Type 3 Manhole

Meets or Exceeds WSDOT Std Plan B-15.60-00
 Manholes Constructed in Accordance With ASTM C-478
 Rubber Gasket Conforms to ASTM C-443
 Polypropylene MH Steps Conform to ASTM C-478



WEIGHTS:

TOP SLAB: 16" - 30,000 lbs
 RISER: - 6,200 lbs/ft
 BASE SLAB: 12" - 25,300 lbs

CONCRETE:

Fc= 4,000 psi @ 28 Days

REINFORCING STEEL:

Welded Wire Fabric: ASTM A497
 Rebar: ASTM A615 Grade 60
 Top Slab: 0.20 Sq in./ft. e.w. min. Top Mat
 0.66 Sq in./ft. e.w. min. Bottom Mat
 Riser: 0.36 Sq in./ft. e.w. min.
 Base Slab: 0.72 Sq in./ft. e.w. min.

PIPE PENETRATIONS:

Maximum Hole Size: 108"
 Minimum Distance Hole to Hole: 12"
 Holes Cored to Plan Specifications
 Kor-N-Seal Connections Available

SITE PENETRATIONS:

Contractor to Establish Level Grade
 Prior to Setting Base Piece at a
 Tolerance of 1/4" to 3/8"

© 2013 Granite Precasting & Concrete, Inc.



4116 BAKERVIEW SPUR, BELLINGHAM, WA 98226 - (360) 671-2251 - 1-800-808-2251 - FAX: (360) 671-0780