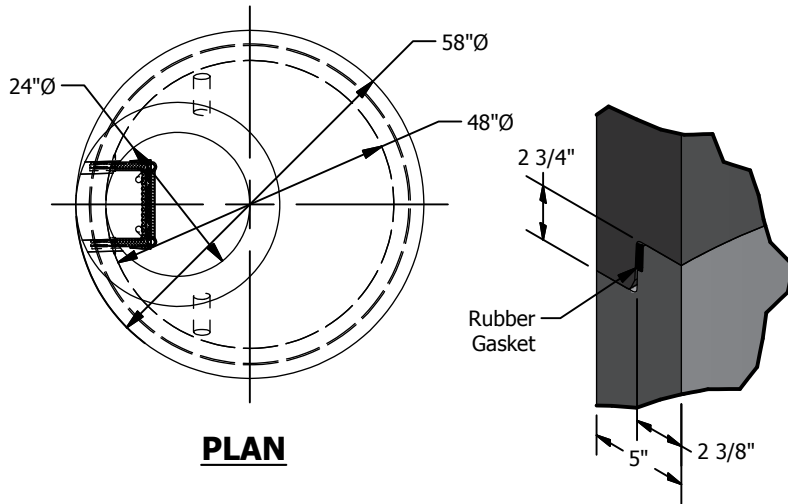


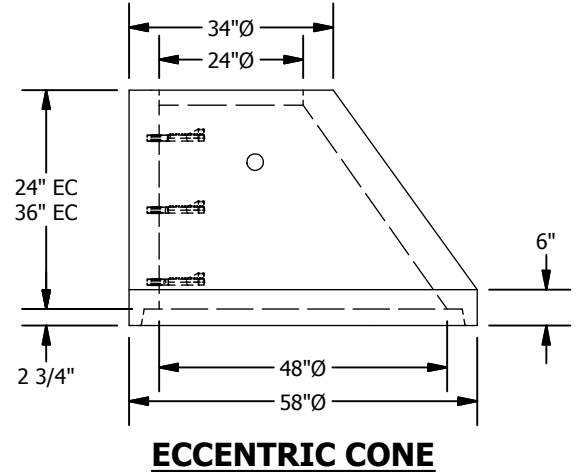
48" Type 1 Manhole

Meets or Exceeds WSDOT Std Plan B-15.20-01
 Manholes Constructed in Accordance With ASTM C-478
 Rubber Gasket Conforms to ASTM C-443
 Polypropylene MH Steps Conform to ASTM C-478

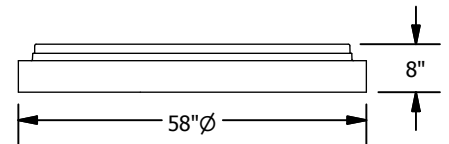


PLAN

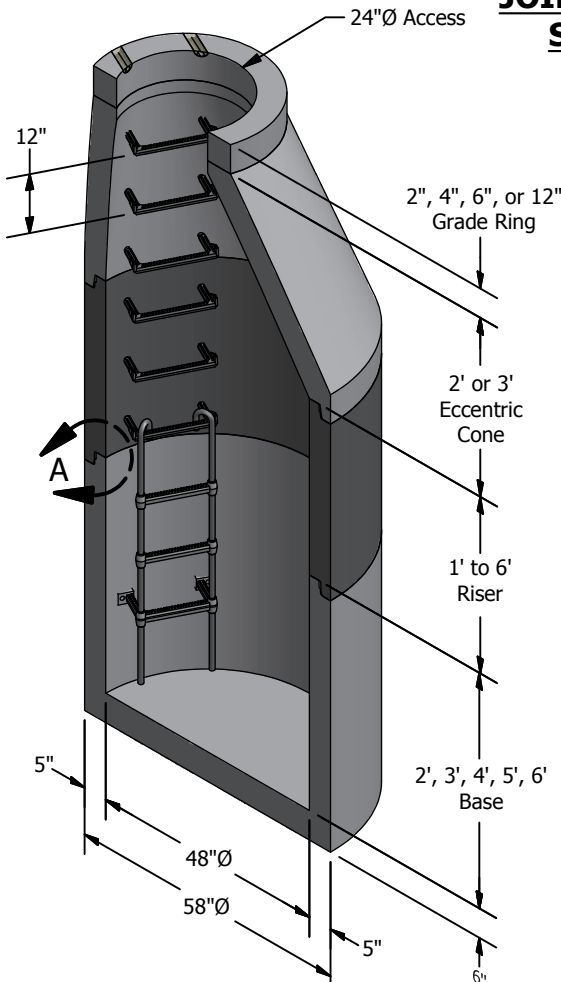
**JOINT DETAIL A
 SCALE 1/8**



ECCENTRIC CONE



BASE SLAB



ISO SECTION VIEW

WEIGHTS:

- ECCENTRIC CONE: 2' - 1,740 lbs
- ECCENTRIC CONE: 3' - 2,540 lbs
- RISER: 1' - 950 lbs
- RISER: 2' - 1,800 lbs
- RISER: 3' - 2,700 lbs
- RISER: 4' - 3,540 lbs
- RISER: 5' - 4,500 lbs
- RISER: 6' - 5,400 lbs
- BASE: 2' - 3,600 lbs
- BASE: 3' - 4,400 lbs
- BASE: 4' - 4,840 lbs
- BASE: 5' - 6,300 lbs
- BASE: 6' - 6,740 lbs
- BASE SLAB: 8" - 1,900 lbs

CONCRETE:

Fc= 4,000 psi @ 28 Days

REINFORCING STEEL:

- Welded Wire Fabric: ASTM A497
- Rebar: ASTM A615 Grade 60
- Cone: 0.12 Sq in./lin ft. min.
- Top Slab: 0.40 Sq in./lin ft. min.
- Riser: FORTA-FERRO, 4#/CY Dosage Rate
- Base w/ Integral Riser: FORTA-FERRO, 4#/CY Dosage Rate
- Separate Base Slab: 0.32 Sq in./ft. e.w. min.

PIPE PENETRATIONS:

- Maximum Hole Size: 36"
- Minimum Distance Hole to Hole: 8"
- Holes Cored to Plan Specifications
- Kor-N-Seal Connections Available
- Standard Knockouts Available

SITE PENETRATIONS:

- Contractor to Establish Level Grade
- Prior to Setting Base Piece at a
- Tolerance of 1/4" to 3/8"

© 2013 Granite Precasting & Concrete, Inc.



4116 BAKERVIEW SPUR, BELLINGHAM, WA 98226 - (360) 671-2251 - 1-800-808-2251 - FAX: (360) 671-0780