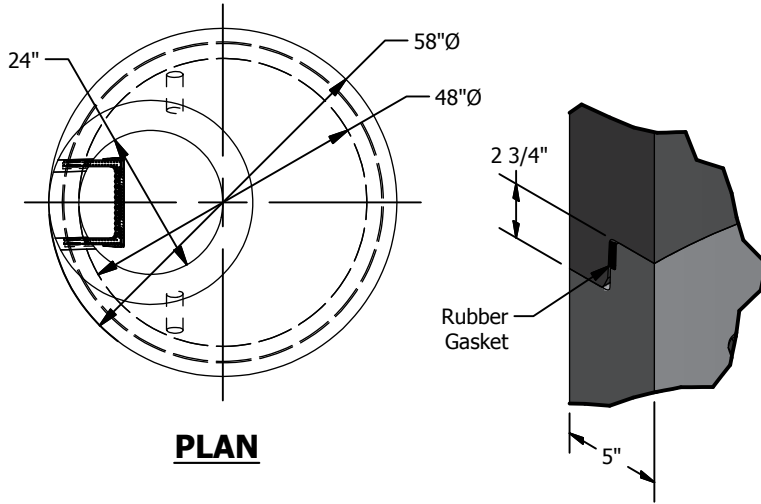
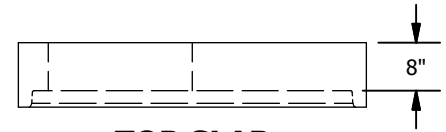


# 48" Type 1 Sewer Manhole Juneau

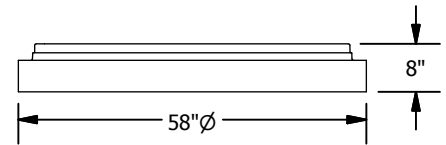
Meets or Exceeds City and Borough of  
Juneau Standard Plan 203  
Manholes Constructed in Accordance With ASTM C-478  
Rubber Gasket Conforms to ASTM C-443  
Polypropylene MH Steps Conform to ASTM C-478



## OPTIONS:

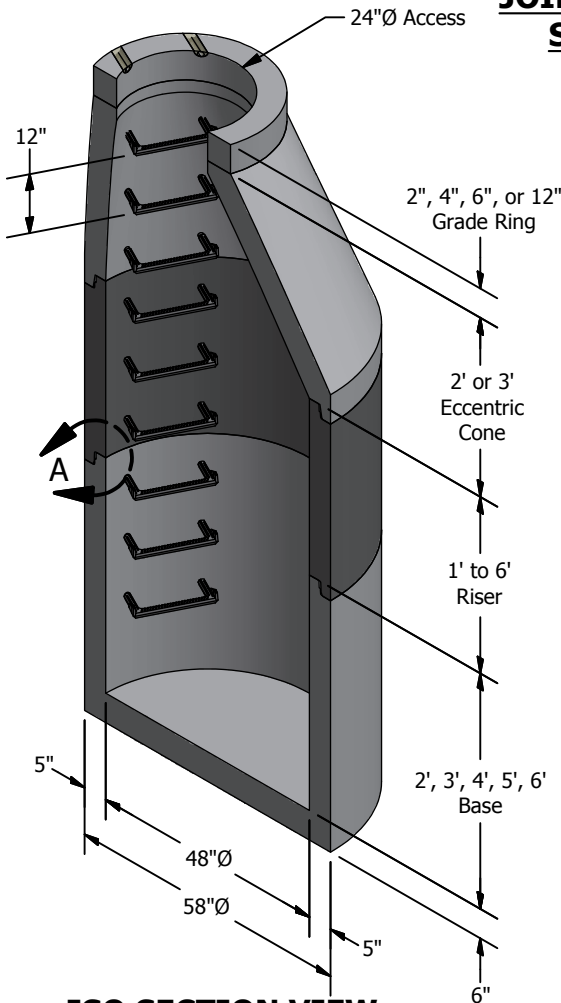


## TOP SLAB



## BASE SLAB

## JOINT DETAIL A SCALE 1/8



## ISO SECTION VIEW

## WEIGHTS:

ECCENTRIC CONE:	2' - 1,840 lbs
ECCENTRIC CONE:	3' - 2,540 lbs
TOP SLAB:	8" - 1,580 lbs
RISER:	1' - 950 lbs
	2' - 1,800 lbs
	3' - 2,700 lbs
	4' - 3,540 lbs
	5' - 4,500 lbs
	6' - 5,400 lbs
BASE:	2' - 3,600 lbs
	3' - 4,400 lbs
	4' - 4,840 lbs
	5' - 6,300 lbs
	6' - 6,740 lbs
	8" - 1,900 lbs

## BASE SLAB:

## CONCRETE:

$F_c = 4,000$  psi @ 28 Days

## REINFORCING STEEL:

Welded Wire Fabric: ASTM A497

Rebar: ASTM A615 Grade 60

Top Slab: 0.40 Sq in./ft. e.w. min.

Base Wall, Cone & Riser: 0.12 Sq in./ft. e.w. min.

Base Floor & Base Slab: 0.23 Sq in./ft. e.w. min.

## PIPE PENETRATIONS:

Maximum Hole Size: 36"

Minimum Distance Hole to Hole: 8"

Holes Cored to Plan Specifications

Kor-N-Seal Connections Available

Standard Knockouts Available

## SITE PENETRATIONS:

Contractor to Establish Level Grade

Prior to Setting Base Piece at a

Tolerance of 1/4" to 3/8"

© 2013 Granite Precasting & Concrete, Inc.



4116 BAKERVIEW SPUR, BELLINGHAM, WA 98226 - (360) 671-2251 - 1-800-808-2251 - FAX: (360) 671-0780