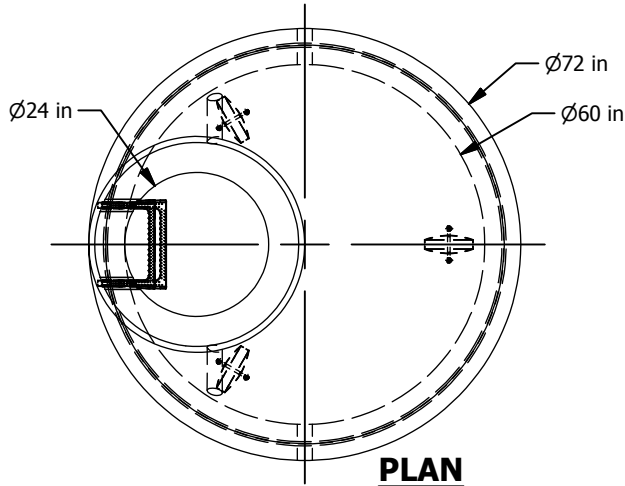
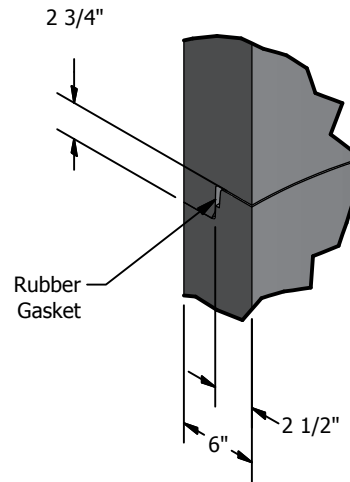


60" Type 1 Manhole

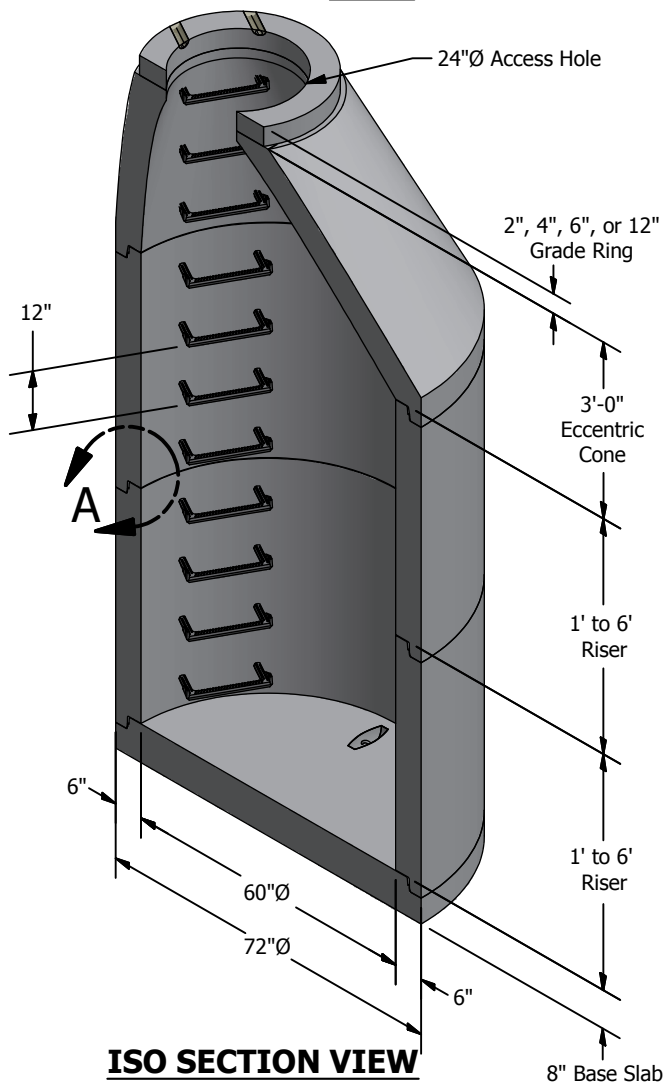
Meets or Exceeds WSDOT Std Plan B-15.20-01
 Manholes Constructed in Accordance With ASTM C-478
 Rubber Gasket Conforms to ASTM C-443
 Polypropylene MH Steps Conform to ASTM C-478



PLAN



JOINT DETAIL A
SCALE 1/12



ISO SECTION VIEW

WEIGHTS:

- ECCENTRIC CONE: 3' - 3,735 lbs
- 1' - 1,300 lbs
- RISER: 2' - 2,600 lbs
- 3' - 3,900 lbs
- 4' - 5,200 lbs
- 5' - 6,500 lbs
- 6' - 7,800 lbs
- BASE SLAB: 8" - 2,980 lbs

CONCRETE:

Fc = 4,000 psi @ 28 Days

REINFORCING STEEL:

- Welded Wire Fabric: ASTM A497
- Rebar: ASTM A615 Grade 60
- Cone & Riser: 0.15 Sq in./ft. e.w. min.
- Base Slab: 0.25 Sq in./ft. e.w. min.

PIPE PENETRATIONS:

- Maximum Hole Size: 48"
- Minimum Distance Hole to Hole: 8"
- Holes Cored to Plan Specifications
- Kor-N-Seal Connections Available
- Standard Knockouts Available

SITE PENETRATIONS:

- Contractor to Establish Level Grade
- Prior to Setting Base Piece at a
- Tolerance of 1/4" to 3/8"

© 2013 Granite Precasting & Concrete, Inc.



4116 BAKERVIEW SPUR, BELLINGHAM, WA 98226 - (360) 671-2251 - 1-800-808-2251 - FAX: (360) 671-0780