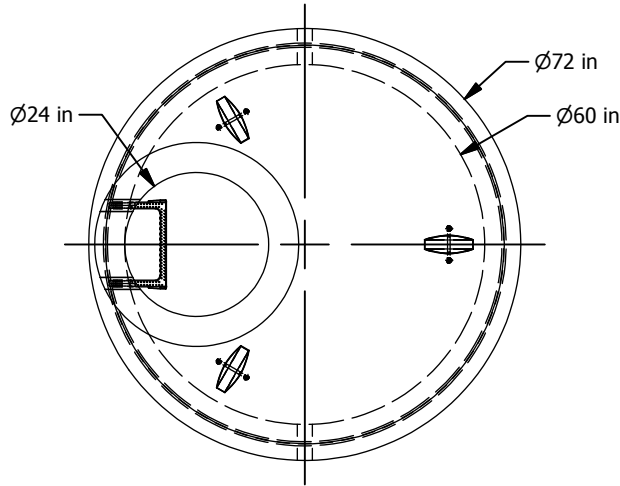
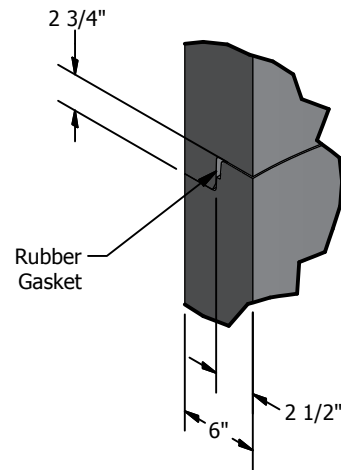


60" Type 3 Manhole

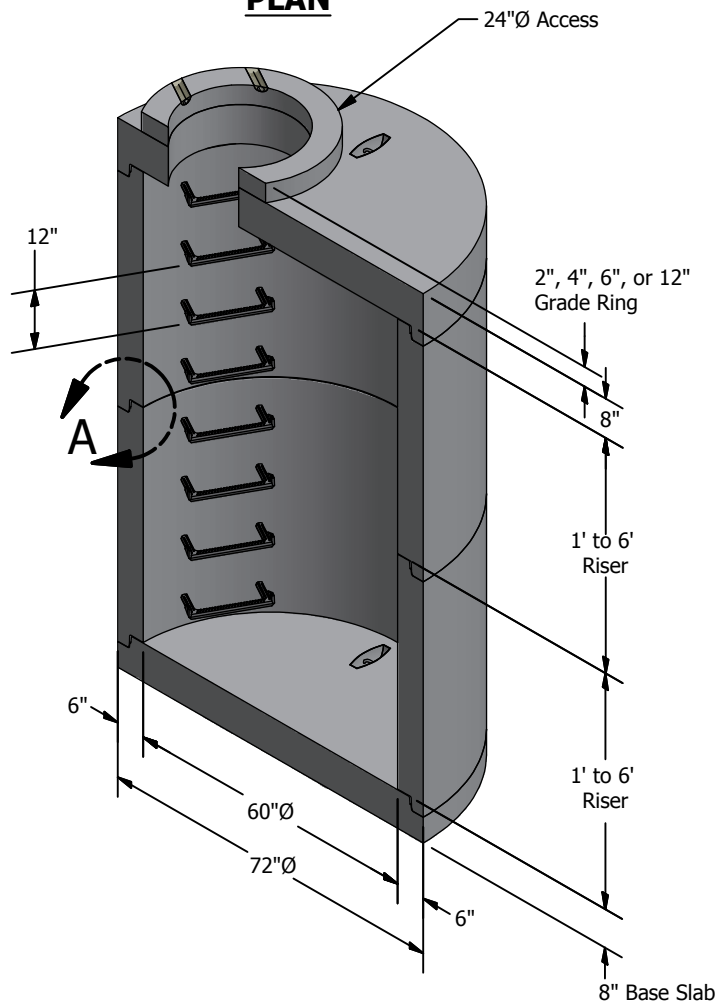
Meets or Exceeds WSDOT Std Plan B-15.60-01
 Manholes Constructed in Accordance With ASTM C-478
 Rubber Gasket Conforms to ASTM C-443
 Polypropylene MH Steps Conform to ASTM C-478



PLAN



JOINT DETAIL A
SCALE 1/12



ISO SECTION VIEW

WEIGHTS:

TOP SLAB:	8" - 2,620 lbs
RISER:	1' - 1,300 lbs
	2' - 2,600 lbs
	3' - 3,900 lbs
	4' - 5,200 lbs
	5' - 6,500 lbs
	6' - 7,800 lbs
BASE SLAB:	8" - 2,980 lbs

CONCRETE:

F_c = 4,000 psi @ 28 Days

REINFORCING STEEL:

Welded Wire Fabric: ASTM A497
 Rebar: ASTM A615 Grade 60
 Top Slab: 0.40 Sq in./ft. e.w. min.
 Riser: 0.15 Sq in./ft. e.w. min.
 Base Slab: 0.25 Sq in./ft. e.w. min.

PIPE PENETRATIONS:

Maximum Hole Size: 48"
 Minimum Distance Hole to Hole: 8"
 Holes Cored to Plan Specifications
 Kor-N-Seal Connections Available
 Standard Knockouts Available

SITE PENETRATIONS:

Contractor to Establish Level Grade
 Prior to Setting Base Piece at a
 Tolerance of 1/4" to 3/8"

© 2013 Granite Precasting & Concrete, Inc.



4116 BAKERVIEW SPUR, BELLINGHAM, WA 98226 - (360) 671-2251 - 1-800-808-2251 - FAX: (360) 671-0780