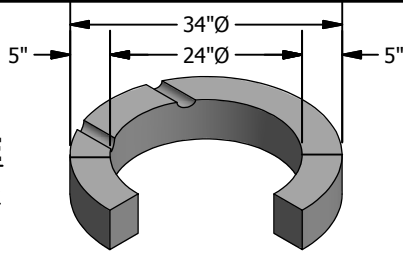


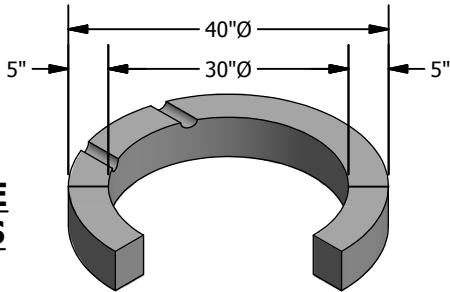
Grade Rings

Meets or Exceeds WSDOT Std Plan B-30.90-01
 Manholes Constructed in Accordance With ASTM C-478
 Rubber Gasket Conforms to ASTM C-443
 Polypropylene MH Steps Conform to ASTM C-478

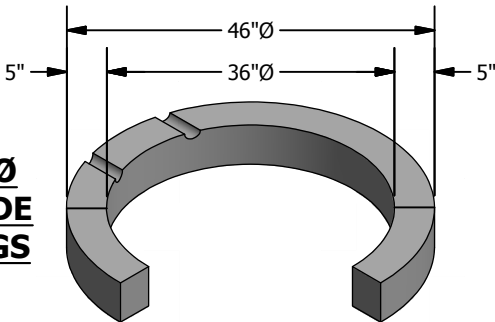
24"Ø GRADE RINGS



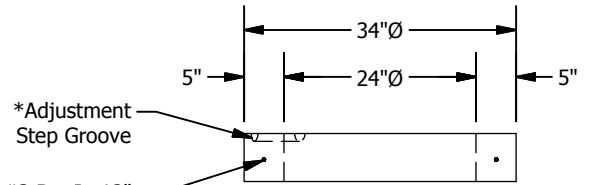
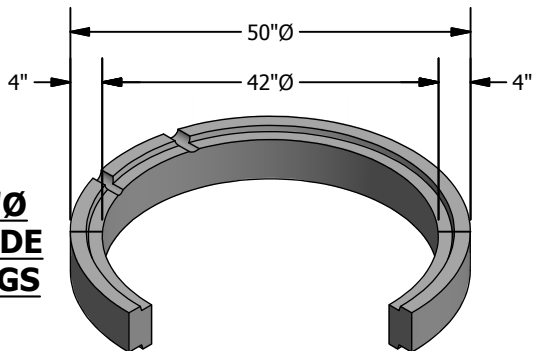
30"Ø GRADE RINGS



36"Ø GRADE RINGS

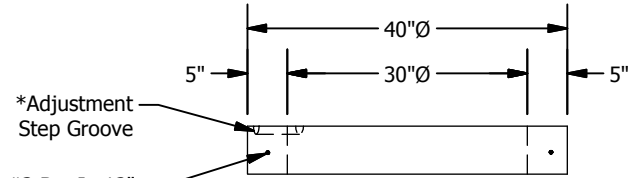


42"Ø GRADE RINGS



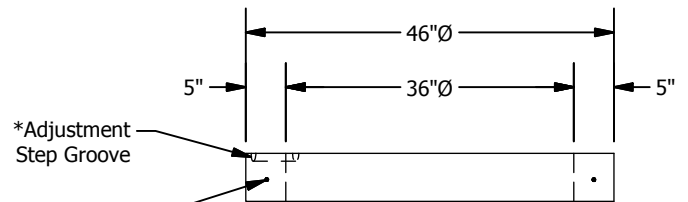
(2) #3 Bar In 12"
 (1) #3 Bar In Others

24"Ø GRADE RINGS



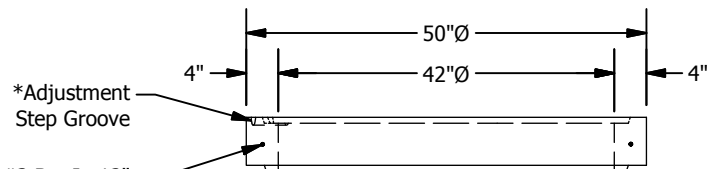
(2) #3 Bar In 12"
 (1) #3 Bar In Others

30"Ø GRADE RINGS



(2) #3 Bar In 12"
 (1) #3 Bar In Others

36"Ø GRADE RINGS



(2) #3 Bar In 12"
 (1) #3 Bar In Others

42"Ø GRADE RINGS

24"Ø GRADE RINGS

HEIGHT	WEIGHT
1"	40 LBS*
2"	80 LBS*
4"	160 LBS*
6"	240 LBS*
12"	480 LBS*

30"Ø GRADE RINGS

HEIGHT	WEIGHT
2"	100 LBS*
4"	200 LBS*
6"	300 LBS*
12"	600 LBS*

36"Ø GRADE RINGS

HEIGHT	WEIGHT
2"	110 LBS*
4"	220 LBS*
6"	340 LBS*
12"	680 LBS*

42"Ø GRADE RINGS

HEIGHT	WEIGHT
4"	200 LBS*
6"	300 LBS*
12"	600 LBS*

© 2013 Granite Precasting & Concrete, Inc.

This product may be supplied by a third party contractor, subject to use of approved specifications and drawings.



4116 BAKERVIEW SPUR, BELLINGHAM, WA 98226 - (360) 671-2251 - 1-800-808-2251 - FAX: (360) 671-0780