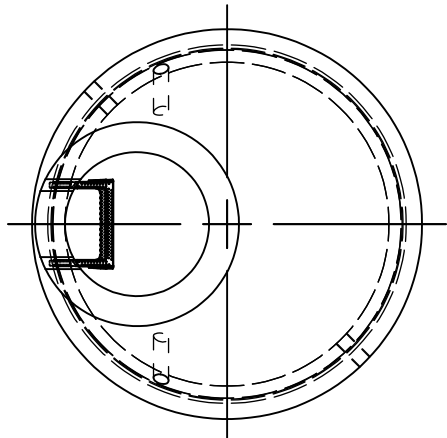


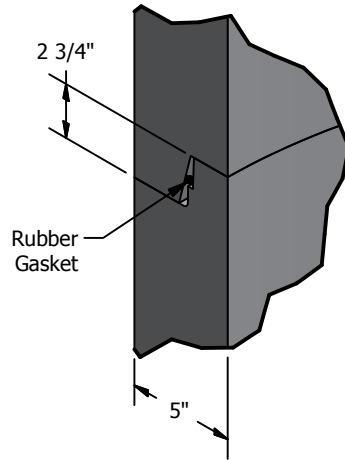
# Type 204.5A Maint. Hole

Meets or Exceeds SEATTLE Std Plan 204.5A

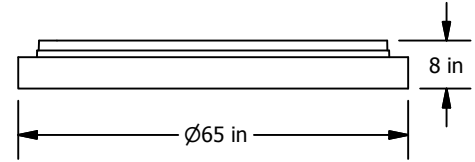
Constructed in Accordance With ASTM C-478  
& Seattle Std. Specifications SECT. 7-05 & 9-12  
Rubber Gasket Conforms to ASTM C-443  
Polypropylene MH Steps Conform to ASTM C-478



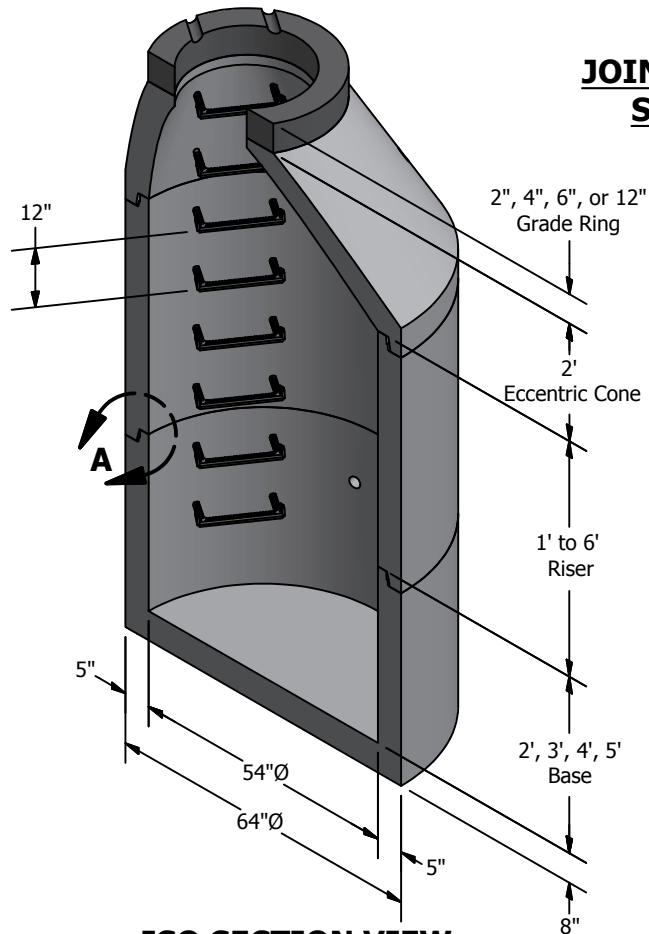
**PLAN**



**JOINT DETAIL A**  
**SCALE 1/8**



**BASE SLAB**



**ISO SECTION VIEW**

**WEIGHTS:**

ECCENTRIC CONE:	2' - 1,840 lbs
RISER:	1' - 960 lbs
	2' - 1,900 lbs
	3' - 2,900 lbs
	4' - 3,800 lbs
	5' - 4,700 lbs
	6' - 5,800 lbs
BASE:	2' - 4,060 lbs
	3' - 4,960 lbs
	4' - 5,860 lbs
	5' - 6,760 lbs
BASE SLAB:	8" - 2,560 lbs

**CONCRETE:**

Fc= 4,000 psi @ 28 Days

**REINFORCING STEEL:**

Welded Wire Fabric: ASTM A497

Rebar: ASTM A615 Grade 60

Base Wall, Riser, & Cone: 0.15 Sq in./ft. e.w. min.

Base Floor & Base Slab:

0.29 Sq in./ft. e.w. min....@ 20' Max. Height

0.36 Sq in./ft. e.w. min....@ 30' Max. Height

0.42 Sq in./ft. e.w. min....@ 40' Max. Height

**PIPE PENETRATIONS:**

Maximum Hole Size: 42"

Minimum Distance Hole to Hole: 8"

Holes Cored to Plan Specifications

Kor-N-Seal Connections Available

Standard Knockouts Available

**SITE PENETRATIONS:**

Contractor to Establish Level Grade

Prior to Setting Base Piece at a

Tolerance of 1/4" to 3/8"

© 2013 Granite Precasting & Concrete, Inc.



**GRANITE**<sup>TM</sup>  
**PRECAST**

4116 BAKERVIEW SPUR, BELLINGHAM, WA 98226 - (360) 671-2251 - 1-800-808-2251 - FAX: (360) 671-0780