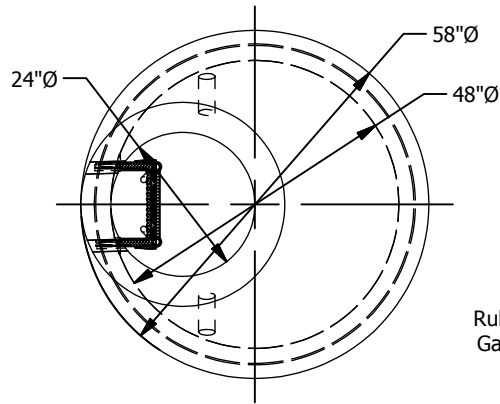
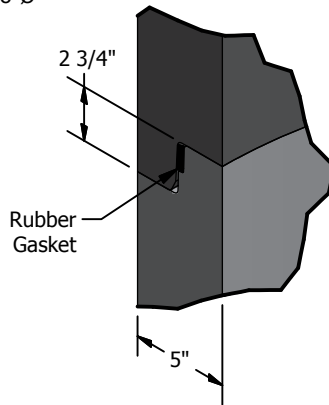


Seattle TYPE 204A Maint. Hole

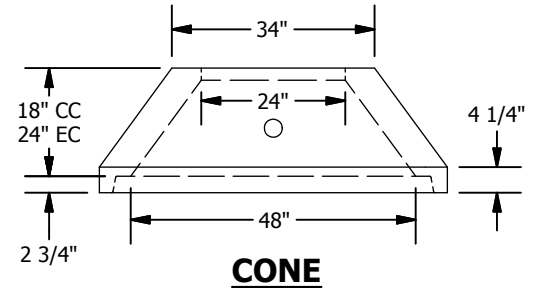
Meets or Exceeds SEATTLE Std Plan 204A
 Constructed in Accordance With ASTM C-478
 & Seattle Std. Specifications SECT. 7-05 & 9-12
 Rubber Gasket Conforms to ASTM C-443
 Polypropylene MH Steps Conform to ASTM C-478



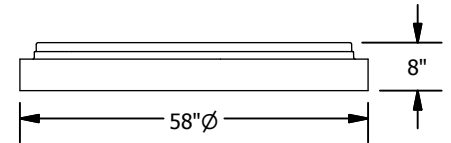
PLAN



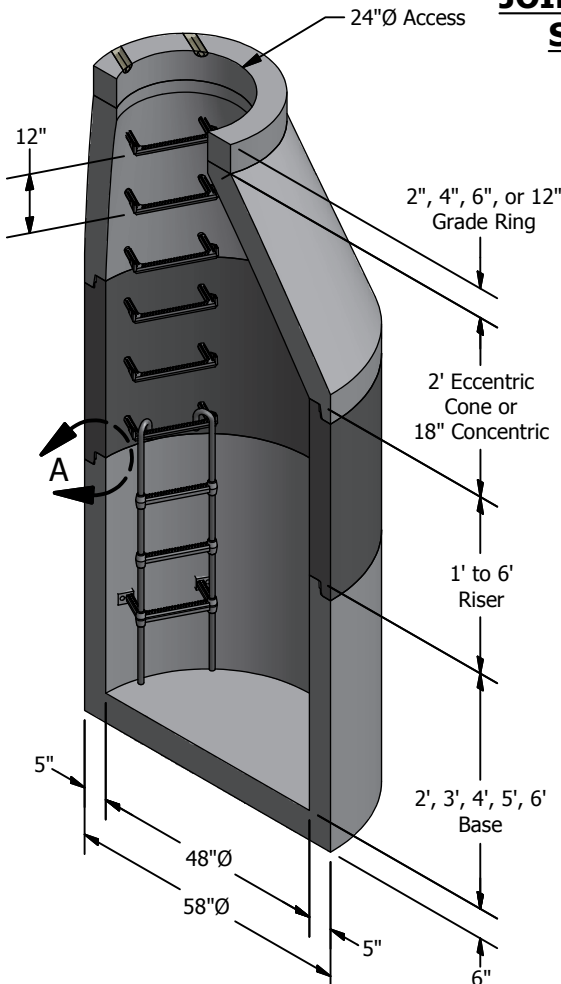
JOINT DETAIL A
SCALE 1/8



CONE



BASE SLAB



ISO SECTION VIEW

WEIGHTS:

| | |
|------------------|-----------------|
| CONCENTRIC CONE: | 18" - 1,300 lbs |
| ECCENTRIC CONE: | 2' - 1,740 lbs |
| RISER: | 1' - 950 lbs |
| | 2' - 1,800 lbs |
| | 3' - 2,700 lbs |
| | 4' - 3,540 lbs |
| | 5' - 4,500 lbs |
| | 6' - 5,400 lbs |
| BASE: | 2' - 3,600 lbs |
| | 3' - 4,400 lbs |
| | 4' - 4,840 lbs |
| | 5' - 6,300 lbs |
| | 6' - 6,740 lbs |
| BASE SLAB: | 8" - 1,900 lbs |

CONCRETE:

Fc = 4,000 psi @ 28 Days

REINFORCING STEEL:

Welded Wire Fabric: ASTM A497

Rebar: ASTM A615 Grade 60

Base Wall, Riser, & Cone: 0.12 Sq in./ft. e.w. min.

Base Floor & Base Slab:

0.25 Sq in./ft. e.w. min....@ 20' Max. Height

0.31 Sq in./ft. e.w. min....@ 30' Max. Height

0.36 Sq in./ft. e.w. min....@ 40' Max. Height

PIPE PENETRATIONS:

Maximum Hole Size: 36"

Minimum Distance Hole to Hole: 8"

Holes Cored to Plan Specifications

Kor-N-Seal Connections Available

Standard Knockouts Available

SITE PENETRATIONS:

Contractor to Establish Level Grade

Prior to Setting Base Piece at a

Tolerance of 1/4" to 3/8"

© 2013 Granite Precasting & Concrete, Inc.



4116 BAKERVIEW SPUR, BELLINGHAM, WA 98226 - (360) 671-2251 - 1-800-808-2251 - FAX: (360) 671-0780