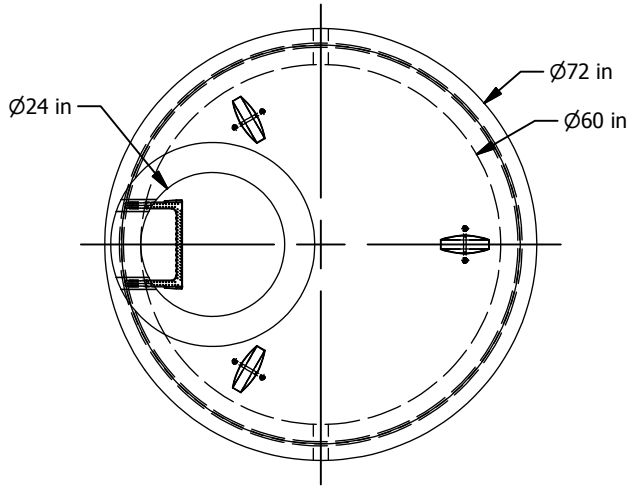
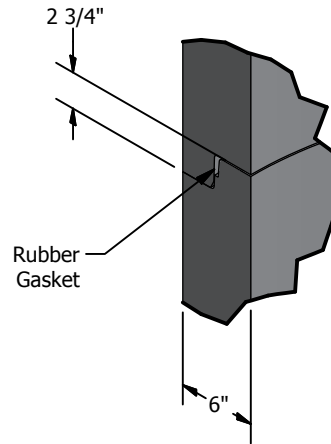


Seattle Type 205B Maint. Hole

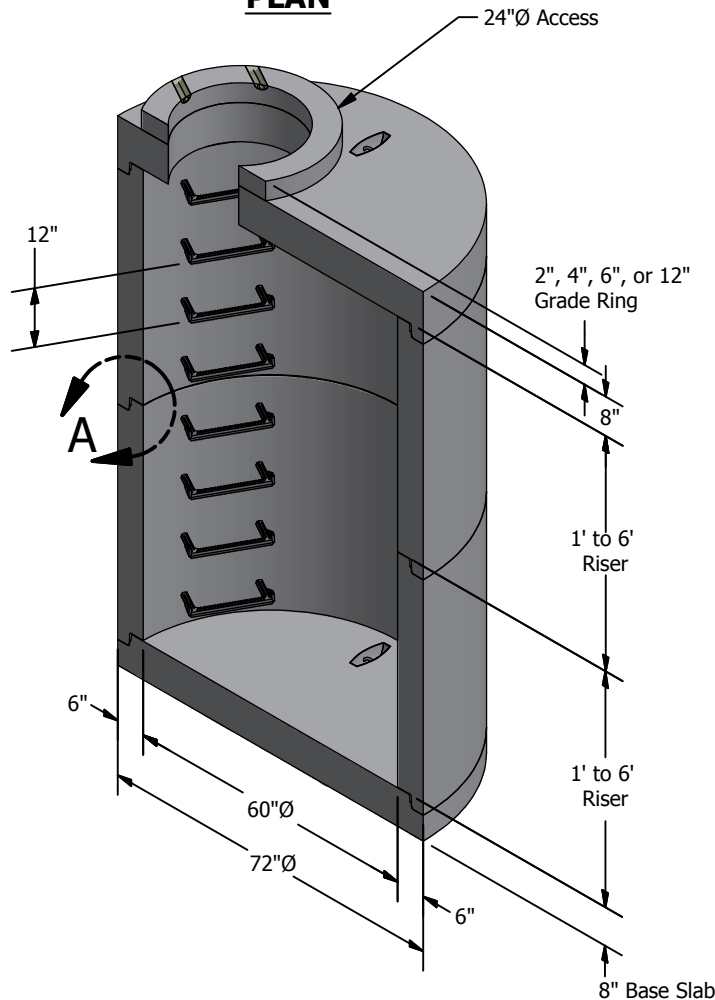
Meets or Exceeds SEATTLE Std Plan 205B
 Constructed in accordance With ASTM C-478
 & Seattle Std. Specifications SECT. 7-05 & 9-12
 Rubber Gasket Conforms to ASTM C-443
 Polypropylene MH Steps Conform to ASTM C-478



PLAN



JOINT DETAIL A
SCALE 1/12



ISO SECTION VIEW

WEIGHTS:

TOP SLAB:	3' - 3,735 lbs
RISER:	1' - 1,300 lbs
	2' - 2,600 lbs
	3' - 3,900 lbs
	4' - 5,200 lbs
	5' - 6,500 lbs
	6' - 7,800 lbs
BASE SLAB:	8" - 2,980 lbs

CONCRETE:

Fc= 4,000 psi @ 28 Days

REINFORCING STEEL:

Welded Wire Fabric: ASTM A497

Rebar: ASTM A615 Grade 60

Top Slab: Per STD Plan 205B

Riser: 0.15 Sq in./ft. e.w. min.

Base Slab:

0.33 Sq in./ft. e.w. min....@ 20' Max. Height

0.41 Sq in./ft. e.w. min....@ 30' Max. Height

0.49 Sq in./ft. e.w. min....@ 40' Max. Height

PIPE PENETRATIONS:

Maximum Hole Size: 48"

Minimum Distance Hole to Hole: 8"

Holes Cored to Plan Specifications

Kor-N-Seal Connections Available

Standard Knockouts Available

SITE PENETRATIONS:

Contractor to Establish Level Grade

Prior to Setting Base Piece at a

Tolerance of 1/4" to 3/8"

© 2013 Granite Precasting & Concrete, Inc.



4116 BAKERVIEW SPUR, BELLINGHAM, WA 98226 - (360) 671-2251 - 1-800-808-2251 - FAX: (360) 671-0780