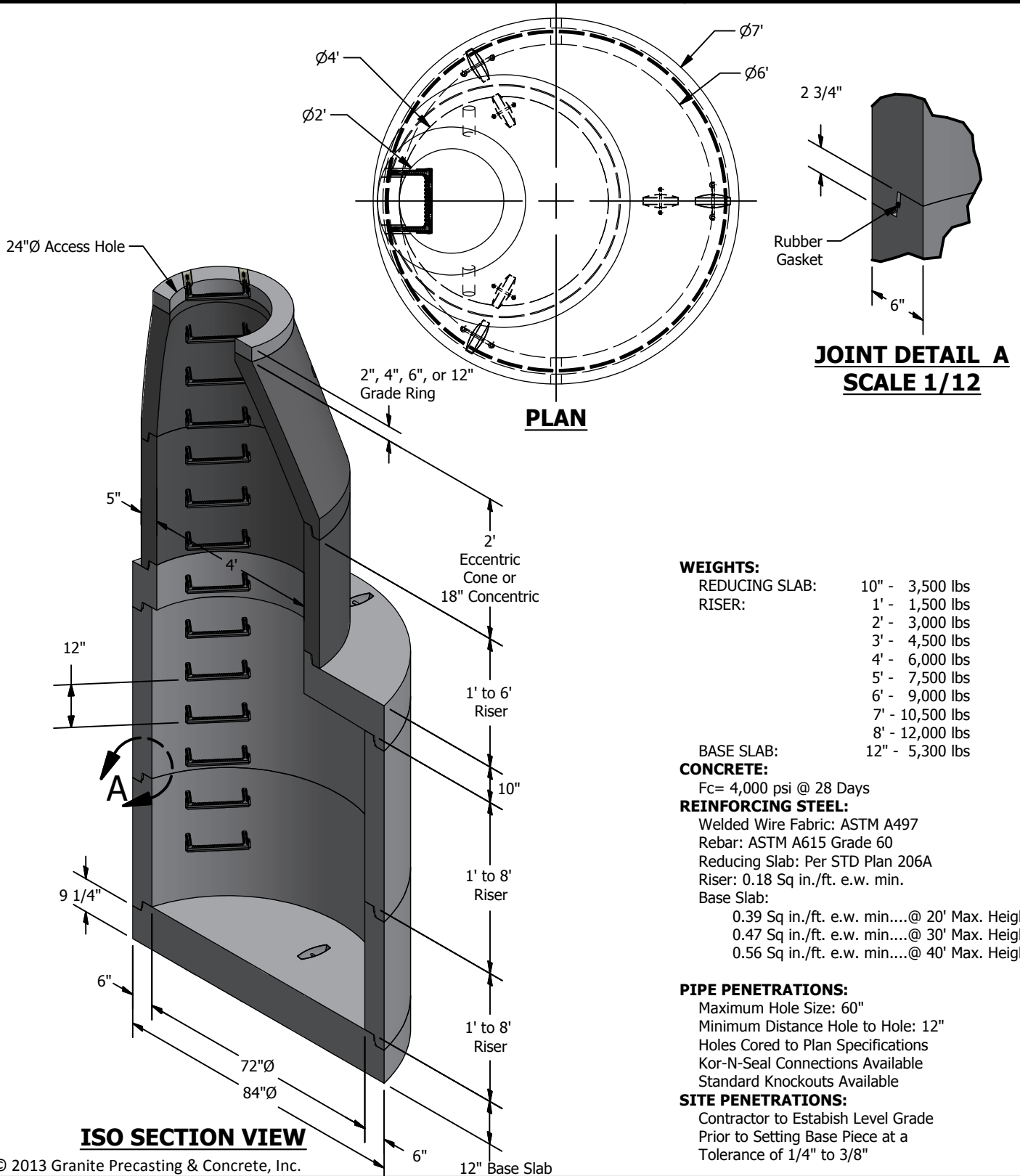


# Seattle Type 206A Maint. Hole

Meets or Exceeds SEATTLE Std Plan 206A  
 Manholes Constructed in Accordance With ASTM C-478  
 & Seattle Std. Specifications SECT. 7-05 & 9-12  
 Rubber Gasket Conforms to ASTM C-443  
 Polypropylene MH Steps Conform to ASTM C-478



© 2013 Granite Precasting & Concrete, Inc.



**GRANITE**™  
 PRECAST

4116 BAKERVIEW SPUR, BELLINGHAM, WA 98226 - (360) 671-2251 - 1-800-808-2251 - FAX: (360) 671-0780