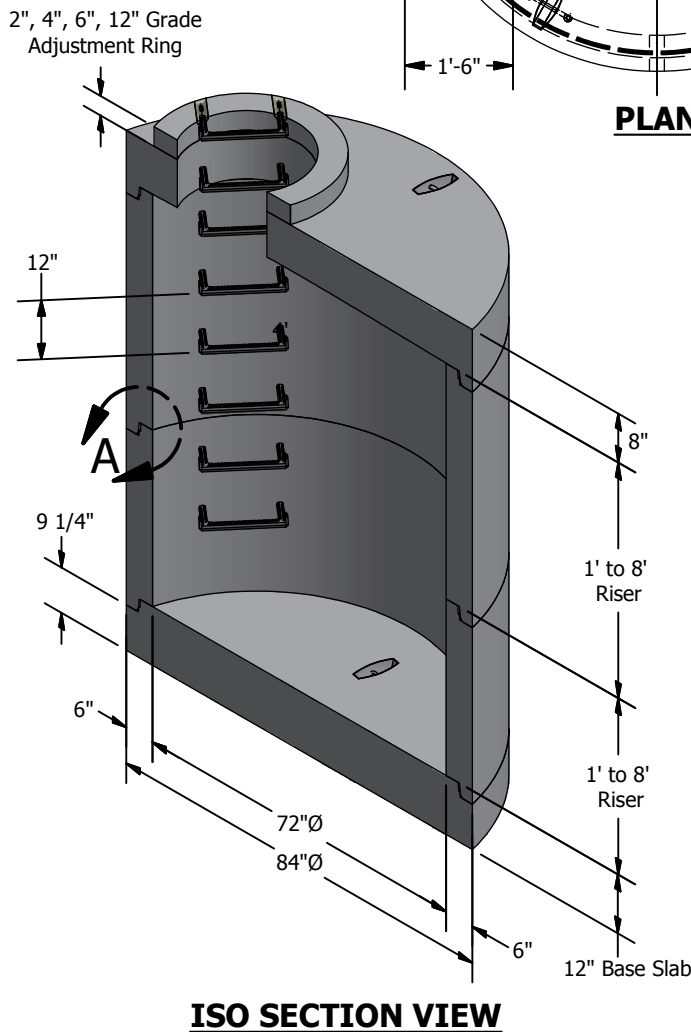
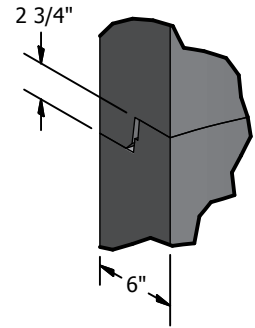
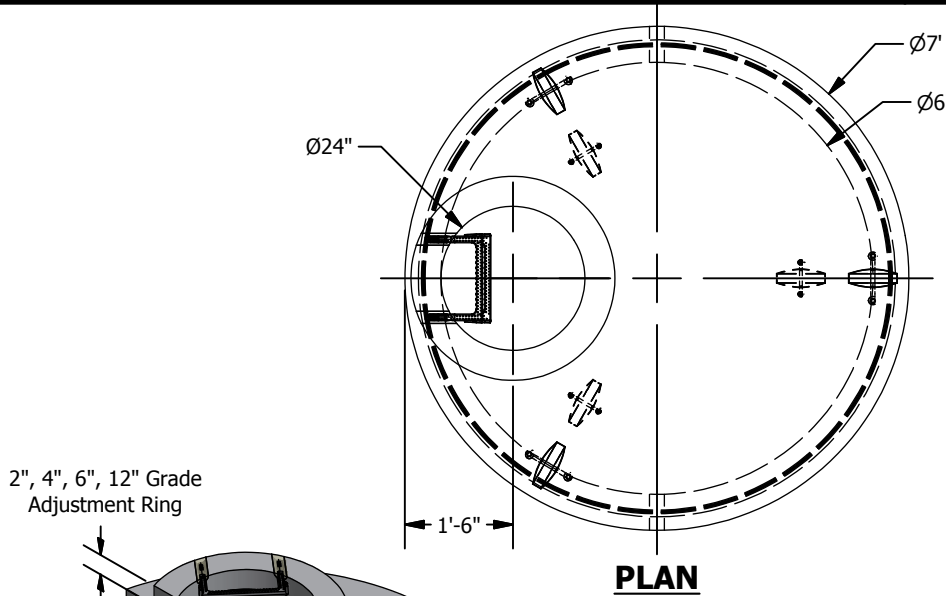


Seattle Type 206B Maint. Hole

Meets or Exceeds SEATTLE Std Plan 206B
 Manholes Constructed in Accordance With ASTM C-478
 & Seattle Std. Specifications SECT. 7-05 & 9-12
 Rubber Gasket Conforms to ASTM C-443
 Polypropylene MH Steps Conform to ASTM C-478



WEIGHTS:

TOP SLAB:	8" - 3,620 lbs
RISER:	1' - 1,500 lbs
	2' - 3,000 lbs
	3' - 4,500 lbs
	4' - 6,000 lbs
	5' - 7,500 lbs
	6' - 9,000 lbs
	7' - 10,500 lbs
	8' - 12,000 lbs
BASE SLAB:	12" - 5,300 lbs

CONCRETE:
 Fc= 4,000 psi @ 28 Days

REINFORCING STEEL:
 Welded Wire Fabric: ASTM A497
 Rebar: ASTM A615 Grade 60
 Top Slab: Per STD Plan 206B
 Riser: 0.18 Sq in./ft. e.w. min.
 Base Slab:
 0.29 Sq in./ft. e.w. min....@ 20' Max. Height
 0.41 Sq in./ft. e.w. min....@ 30' Max. Height
 0.49 Sq in./ft. e.w. min....@ 40' Max. Height

PIPE PENETRATIONS:
 Maximum Hole Size: 60"
 Minimum Distance Hole to Hole: 12"
 Holes Cored to Plan Specifications
 Kor-N-Seal Connections Available
 Standard Knockouts Available

SITE PENETRATIONS:
 Contractor to Establish Level Grade
 Prior to Setting Base Piece at a
 Tolerance of 1/4" to 3/8"

© 2013 Granite Precasting & Concrete, Inc.



4116 BAKERVIEW SPUR, BELLINGHAM, WA 98226 - (360) 671-2251 - 1-800-808-2251 - FAX: (360) 671-0780