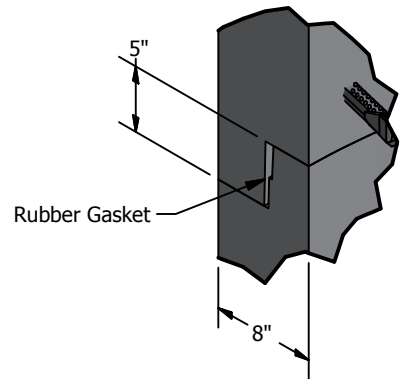
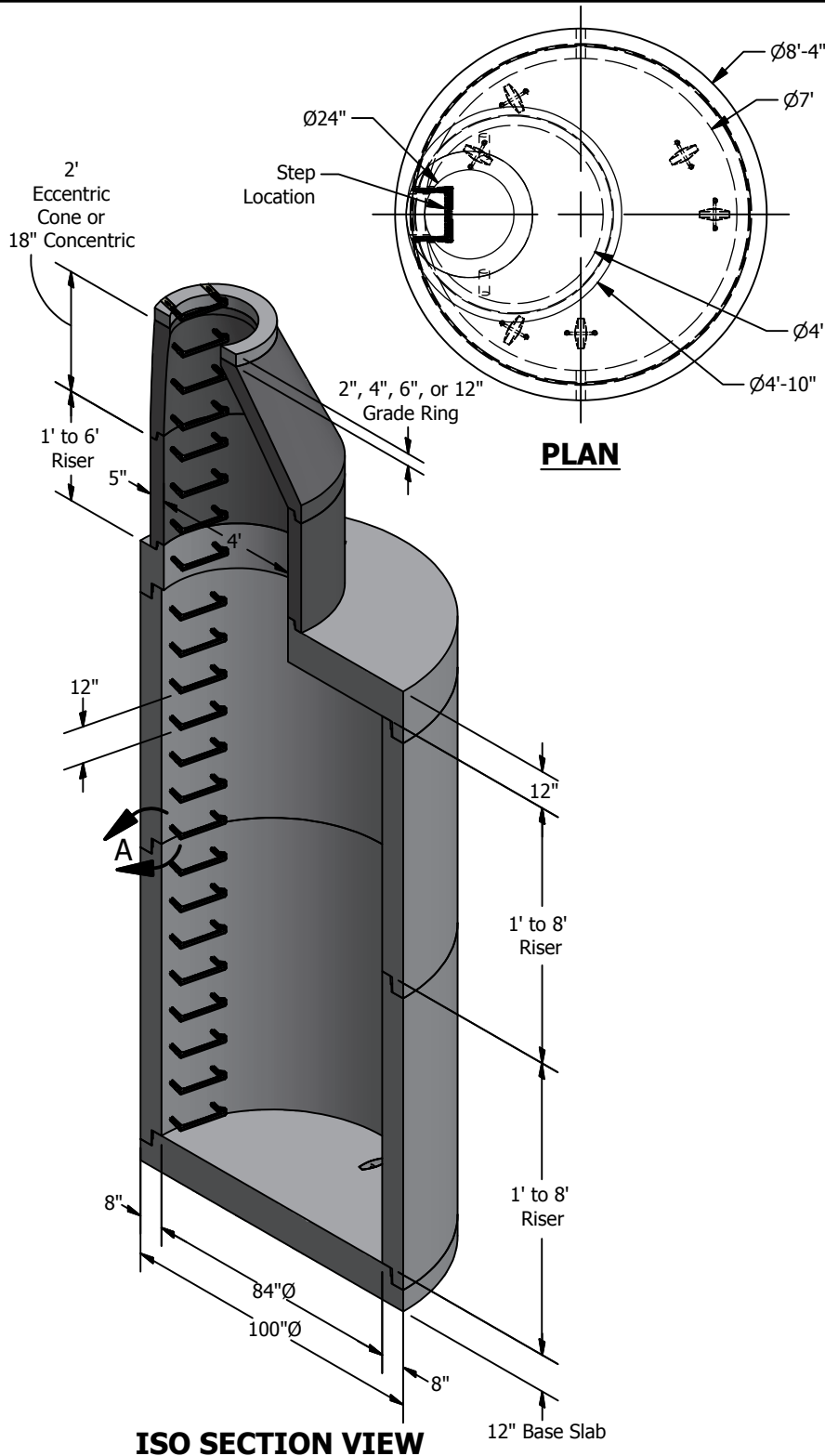


# Seattle Type 207A Maint. Hole

Meets or Exceeds SEATTLE Std Plan 207A  
 Manholes Constructed in Accordance With ASTM C-478  
 & Seattle Std. Specifications SECT. 7-05 & 9-12  
 Rubber Gasket Conforms to ASTM C-443  
 Polypropylene MH Steps Conform to ASTM C-478



**JOINT DETAIL A**  
**SCALE 1/12**

**WEIGHTS:**

REDUCING SLAB:	12" -	7,200 lbs
RISER:	1' -	2,400 lbs
	2' -	4,800 lbs
	3' -	7,200 lbs
	4' -	9,600 lbs
	5' -	12,000 lbs
	6' -	14,400 lbs
	7' -	16,800 lbs
	8' -	19,200 lbs
BASE SLAB:	12" -	7,540 lbs

**CONCRETE:**

Fc= 4,000 psi @ 28 Days

**REINFORCING STEEL:**

- Welded Wire Fabric: ASTM A497
- Rebar: ASTM A615 Grade 60
- Reducing Slab: Per STD Plan 207A
- Riser: 0.21 Sq in./ft. e.w. min.
- Bottom Layer base Slab: #4 @ 18" e.w. Min.
- Top Layer Base Slab:
  - 0.42 Sq in./ft. e.w. min....@ 20' Max. Height
  - 0.51 Sq in./ft. e.w. min....@ 30' Max. Height
  - 0.60 Sq in./ft. e.w. min....@ 40' Max. Height

**PIPE PENETRATIONS:**

- Maximum Hole Size: 72"
- Minimum Distance Hole to Hole: 12"
- Holes Cored to Plan Specifications
- Kor-N-Seal Connections Available

**SITE PENETRATIONS:**

- Contractor to Establish Level Grade Prior to Setting Base Piece at a Tolerance of 1/4" to 3/8"

© 2013 Granite Precasting & Concrete, Inc.



4116 BAKERVIEW SPUR, BELLINGHAM, WA 98226 - (360) 671-2251 - 1-800-808-2251 - FAX: (360) 671-0780