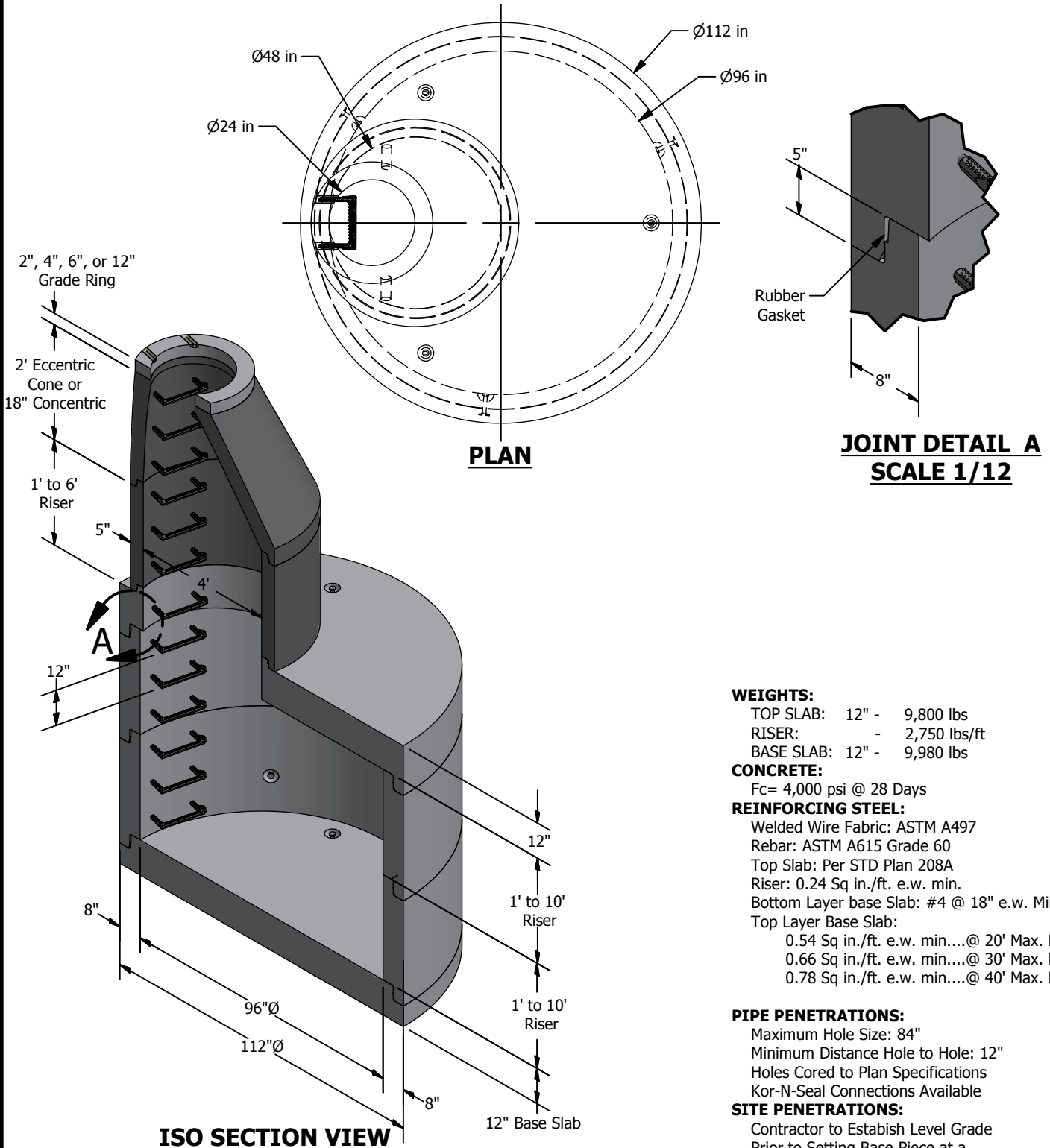


Seattle Type 208A Maint. Hole

Meets or Exceeds SEATTLE Std Plan 208A
 Manholes Constructed in Accordance With ASTM C-478
 & Seattle Std. Specifications SECT. 7-05 & 9-12
 Rubber Gasket Conforms to ASTM C-443
 Polypropylene MH Steps Conform to ASTM C-478



© 2013 Granite Precasting & Concrete, Inc.



4116 BAKERVIEW SPUR, BELLINGHAM, WA 98226 - (360) 671-2251 - 1-800-808-2251 - FAX: (360) 671-0780