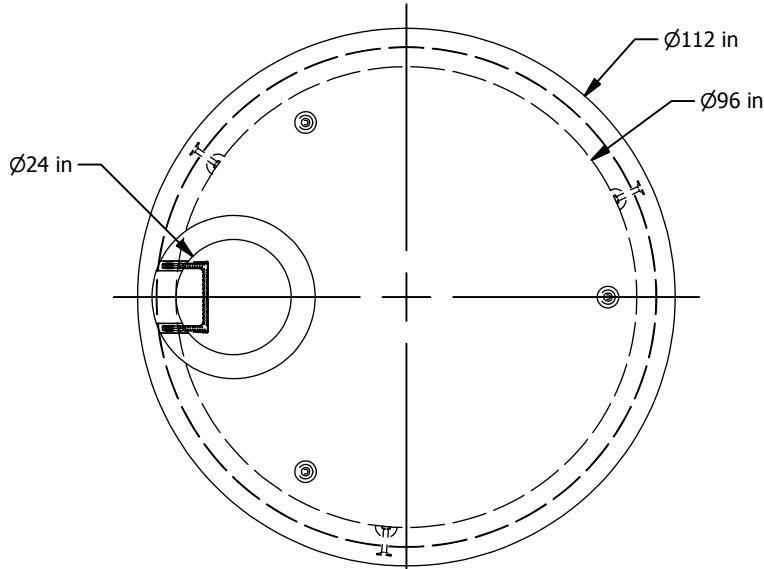
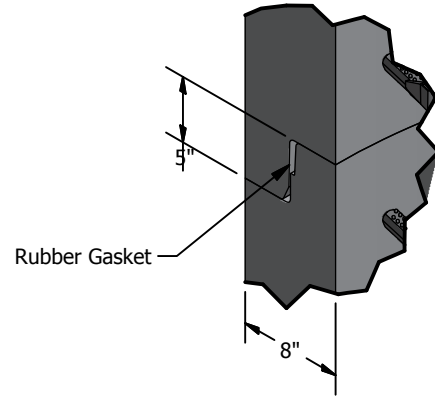


Seattle Type 208B Maint. Hole

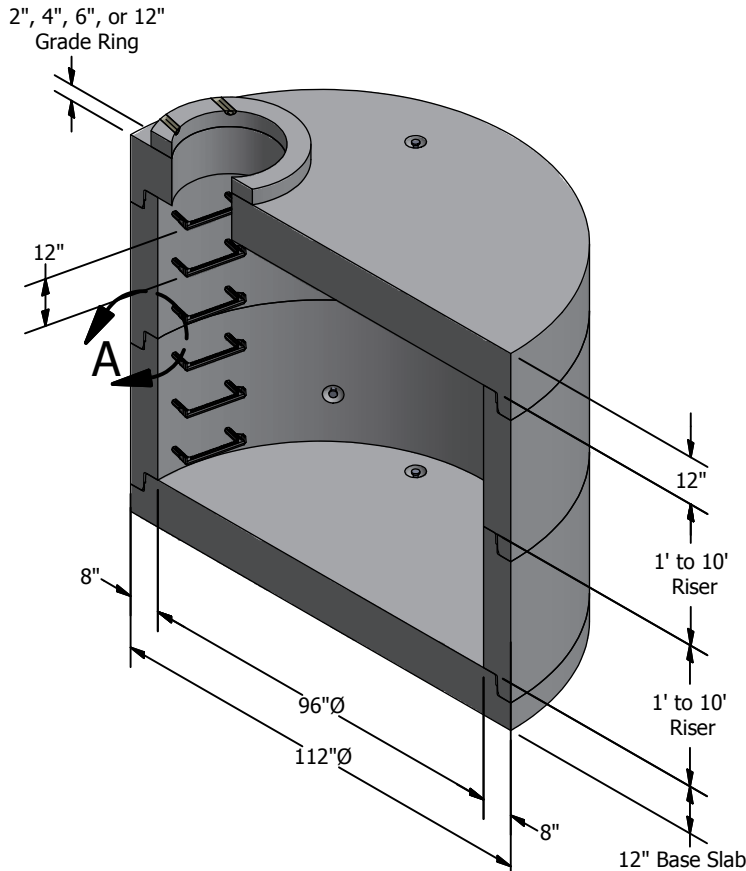
Meets or Exceeds SEATTLE Std Plan 208B
 Manholes Constructed in Accordance With ASTM C-478
 & Seattle Std. Specifications SECT. 7-05 & 9-12
 Rubber Gasket Conforms to ASTM C-443
 Polypropylene MH Steps Conform to ASTM C-478



PLAN



JOINT DETAIL A
SCALE 1/12



ISO SECTION VIEW

WEIGHTS:

- TOP SLAB: 12" - 10,060 lbs
- RISER: - 2,750 lbs/ft
- BASE SLAB: 12" - 9,980 lbs

CONCRETE:

Fc= 4,000 psi @ 28 Days

REINFORCING STEEL:

- Welded Wire Fabric: ASTM A497
- Rebar: ASTM A615 Grade 60
- Top Slab: Per STD Plan 208BA
- Riser: 0.24 Sq in./ft. e.w. min.
- Bottom Layer base Slab: #4 @ 18" e.w. Min.
- Top Layer Base Slab:
 - 0.42 Sq in./ft. e.w. min....@ 20' Max. Height
 - 0.53 Sq in./ft. e.w. min....@ 30' Max. Height
 - 0.65 Sq in./ft. e.w. min....@ 40' Max. Height

PIPE PENETRATIONS:

- Maximum Hole Size: 84"
- Minimum Distance Hole to Hole: 12"
- Holes Cored to Plan Specifications
- Kor-N-Seal Connections Available

SITE PENETRATIONS:

- Contractor to Establish Level Grade
- Prior to Setting Base Piece at a
- Tolerance of 1/4" to 3/8"

© 2013 Granite Precasting & Concrete, Inc.



4116 BAKERVIEW SPUR, BELLINGHAM, WA 98226 - (360) 671-2251 - 1-800-808-2251 - FAX: (360) 671-0780