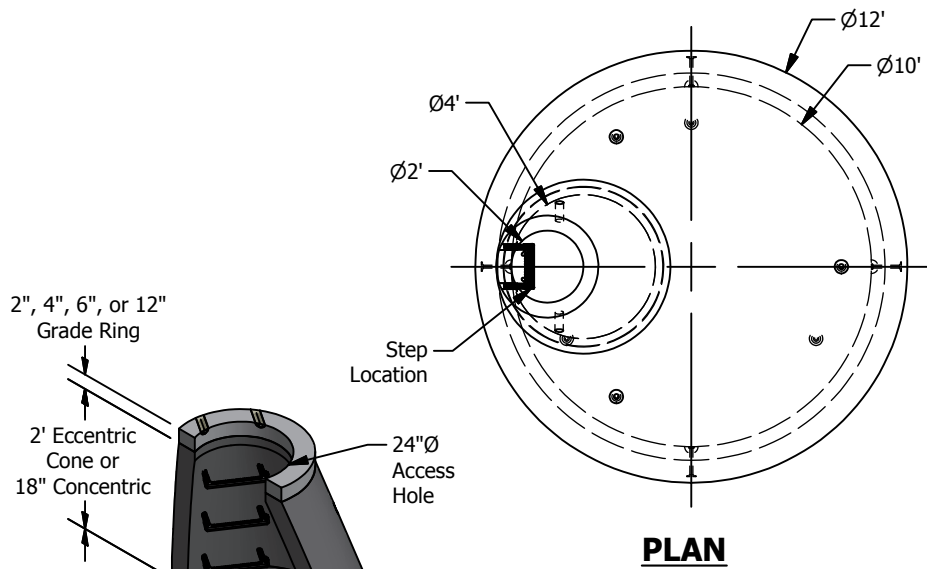
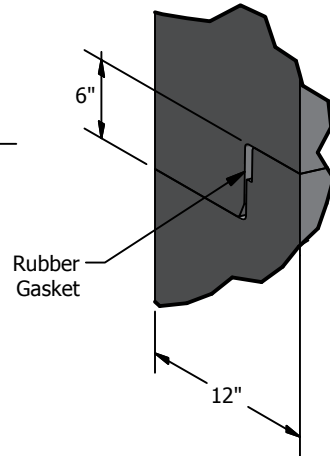


# Seattle TYPE 210A Maint. Hole

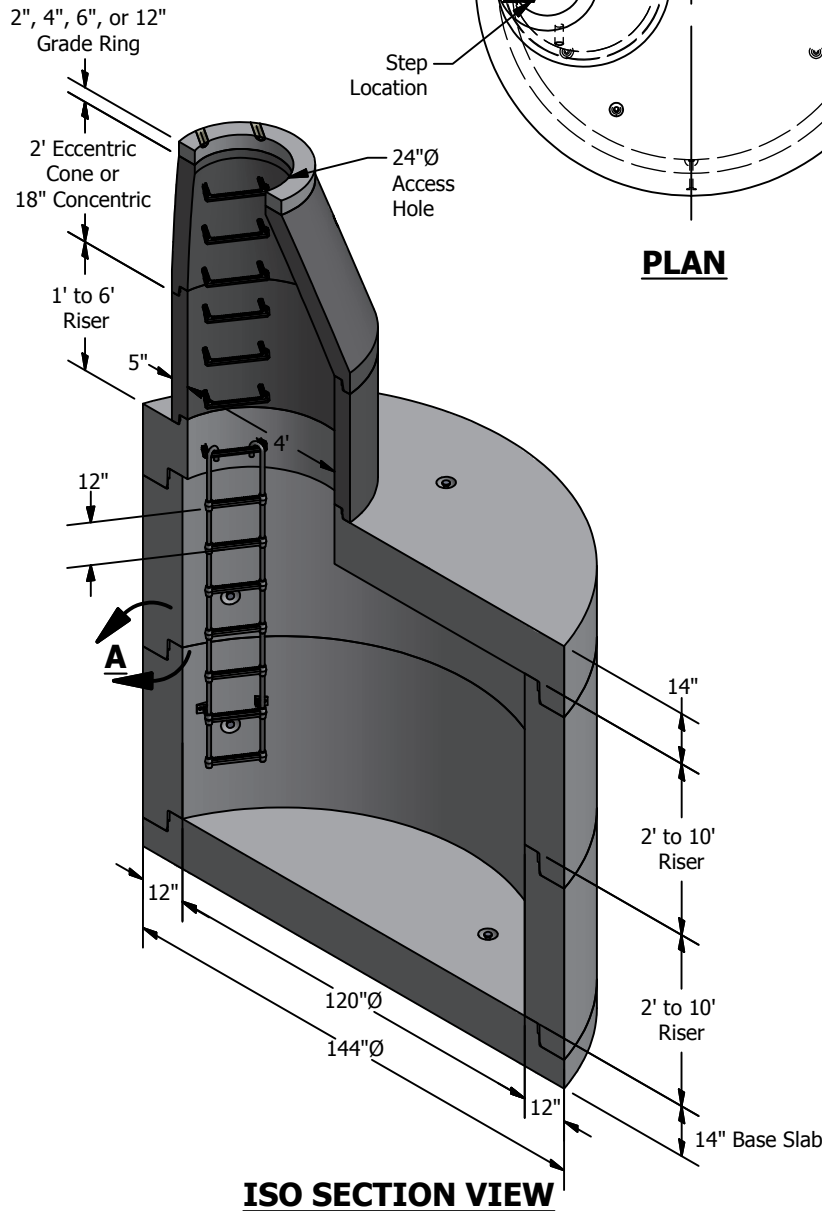
Meets or Exceeds SEATTLE Std Plan 210A  
 Manholes Constructed in Accordance With ASTM C-478  
 & Seattle Std. Specifications SECT. 7-05 & 9-12  
 Rubber Gasket Conforms to ASTM C-443  
 Polypropylene MH Steps Conform to ASTM C-478



**PLAN**



**JOINT DETAIL A**  
**SCALE 1/12**



**ISO SECTION VIEW**

**WEIGHTS:**

- TOP SLAB: 14" - 19,000 lbs
- RISER: - 5,200 lbs/ft
- BASE SLAB: 14" - 18,800 lbs

**CONCRETE:**

Fc= 4,000 psi @ 28 Days

**REINFORCING STEEL:**

- Welded Wire Fabric: ASTM A497
- Rebar: ASTM A615 Grade 60
- Top Slab: Per STD Plan 210A
- Riser: 0.30 Sq in./ft. e.w. min.
- Bottom Layer Base Slab: #4 @ 12" e.w. Min.
- Top Layer Base Slab:
  - 0.70 Sq in./ft. e.w. min....@ 20' Max. Height
  - 0.85 Sq in./ft. e.w. min....@ 30' Max. Height
  - 1.00 Sq in./ft. e.w. min....@ 40' Max. Height

**PIPE PENETRATIONS:**

- Maximum Hole Size: 96"
- Minimum Distance Hole to Hole: 12"
- Holes Cored to Plan Specifications
- Kor-N-Seal Connections Available

**SITE PENETRATIONS:**

- Contractor to Establish Level Grade Prior to Setting Base Piece at a Tolerance of 1/4" to 3/8"

© 2013 Granite Precasting & Concrete, Inc.



4116 BAKERVIEW SPUR, BELLINGHAM, WA 98226 - (360) 671-2251 - 1-800-808-2251 - FAX: (360) 671-0780