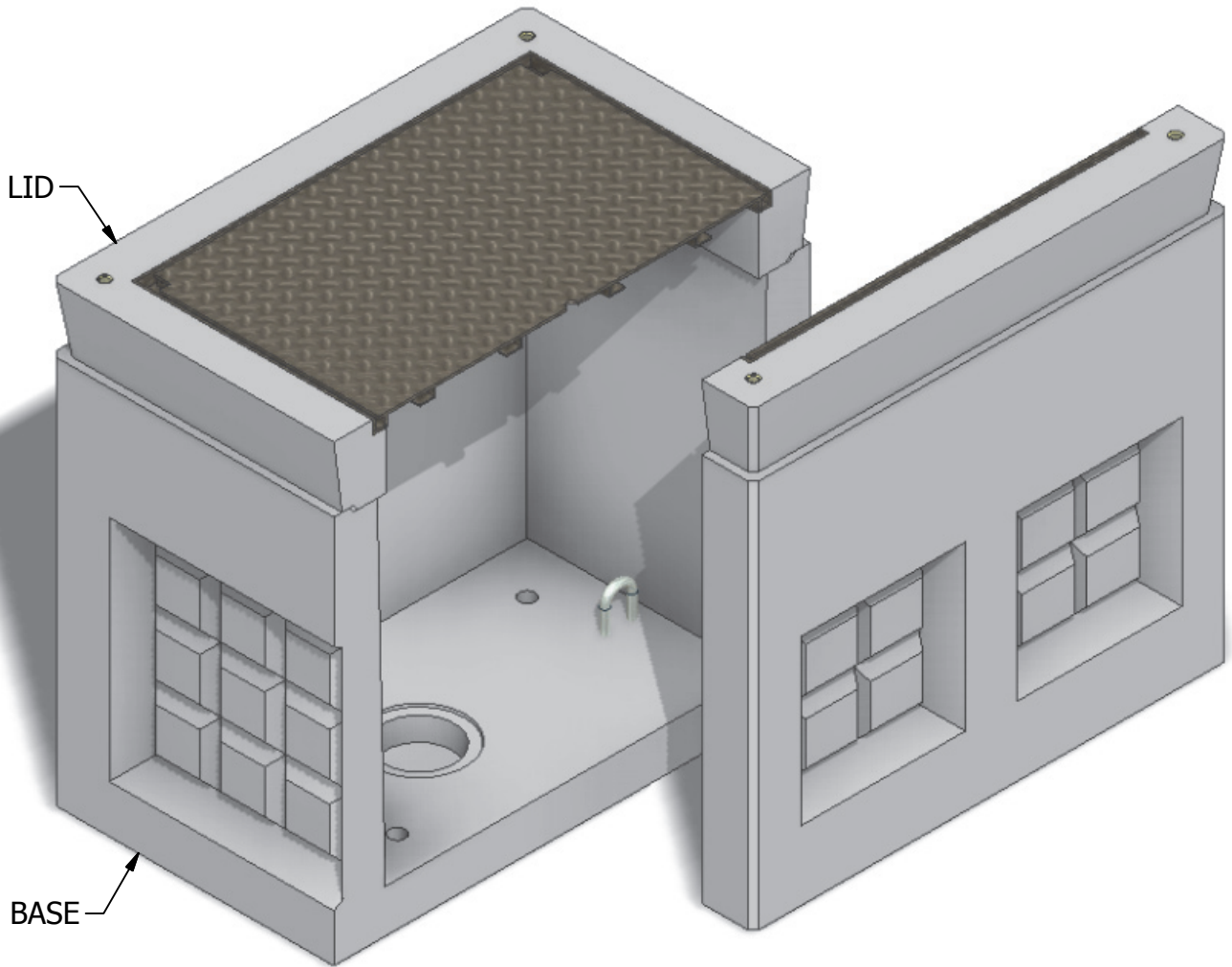


2 x 3 Meter Vault



INTERIOR DIMENSIONS:
1'-10 1/2"W x 2'-10 1/2"L x 2'-7 1/2"H

WEIGHTS:
LID (750 lbs)
BASE (1,900 lbs)

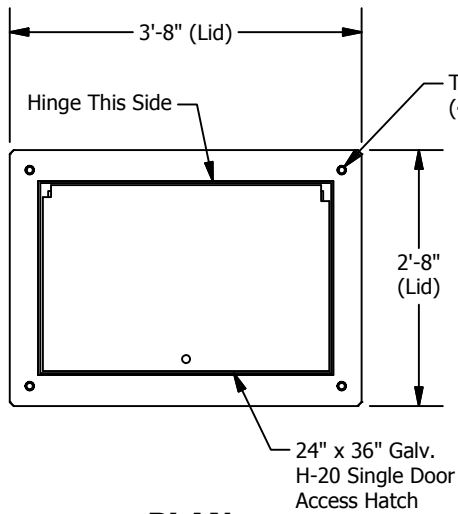
NOTE: Side panel has been shifted to show internal view and is not removable.

© 2013 Granite Precasting & Concrete, Inc.

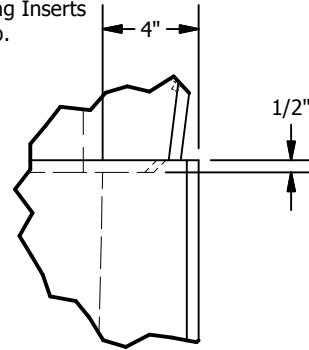


4116 BAKERVIEW SPUR, BELLINGHAM, WA 98226 - (360) 671-2251 - 1-800-808-2251 - FAX: (360) 671-0780

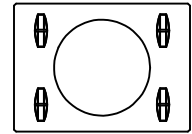
2 x 3 Meter Vault



PLAN

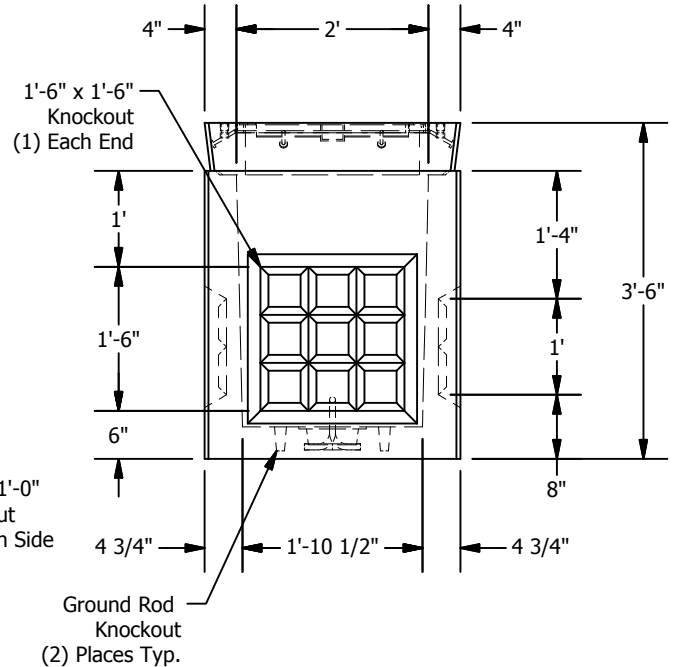
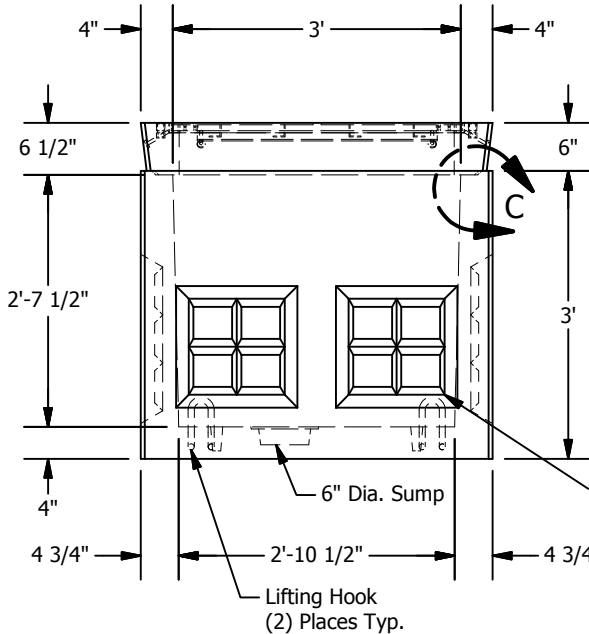


JOINT DETAIL C
SCALE 1/8



2' x 3' Lid
w/ 24" Opening

LID OPTION



© 2013 Granite Precasting & Concrete, Inc.

SPECIFICATIONS

- Concrete: Fc=5,000 psi @28 days
- Rebar: ASTM A-615 Grade 60
- Design: ASTM C-857 "Minimum Structural Design Loading for Underground Precast Concrete Utility Structures"
- Loads: AASHTO HS-20
- Backfill with granular free draining material (sand or pea gravel) free of stones or cobbles greater than 4" in dia.
- Install lid prior to backfill.
- Items shown are subject to change without notice.