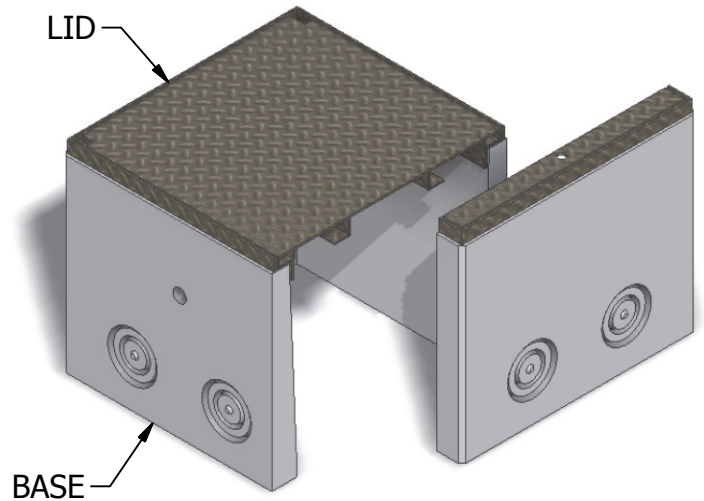
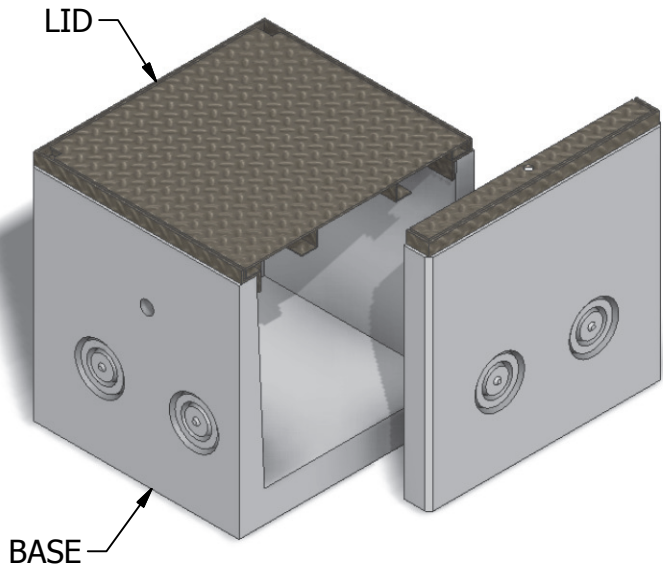


30 x 30 Meter Vault



INTERIOR DIMENSIONS:
1'-11 1/2"W x 1'-11 1/2"L x 2'H

WEIGHTS:
LID (150 lbs)
BASE (970 lbs)

BOTTOMLESS INTERIOR DIMENSIONS:
1'-11 1/2"W x 1'-11 1/2"L x 2'H

WEIGHTS:
LID (115 lbs)
BASE (650 lbs)

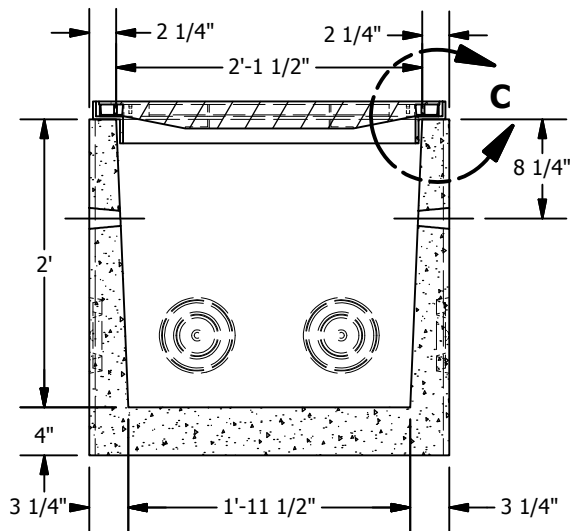
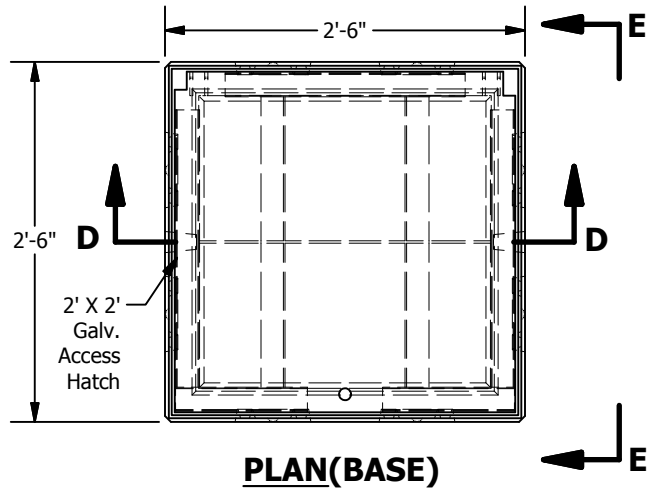
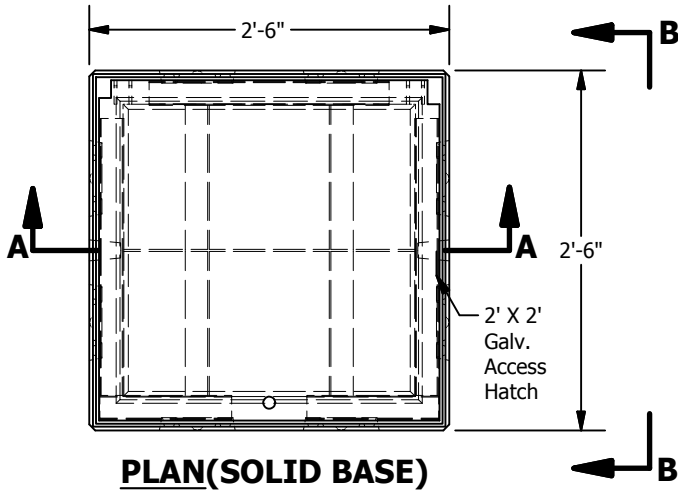
NOTE: Side panel has been shifted to show internal view and is not removable.

© 2013 Granite Precasting & Concrete, Inc.

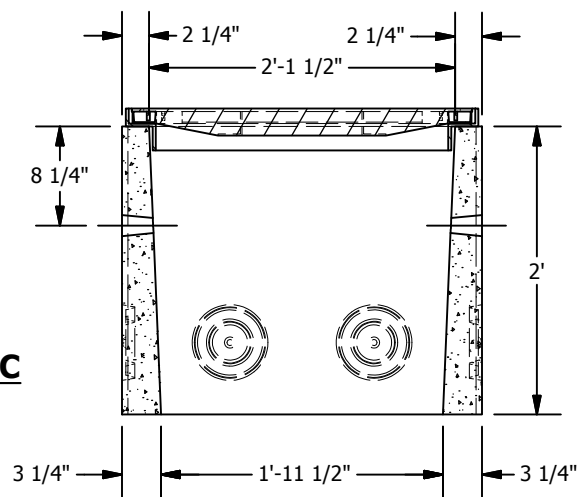


4116 BAKERVIEW SPUR, BELLINGHAM, WA 98226 - (360) 671-2251 - 1-800-808-2251 - FAX: (360) 671-0780

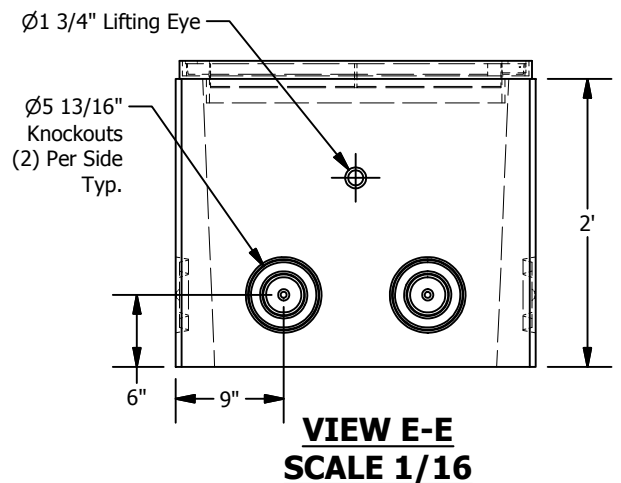
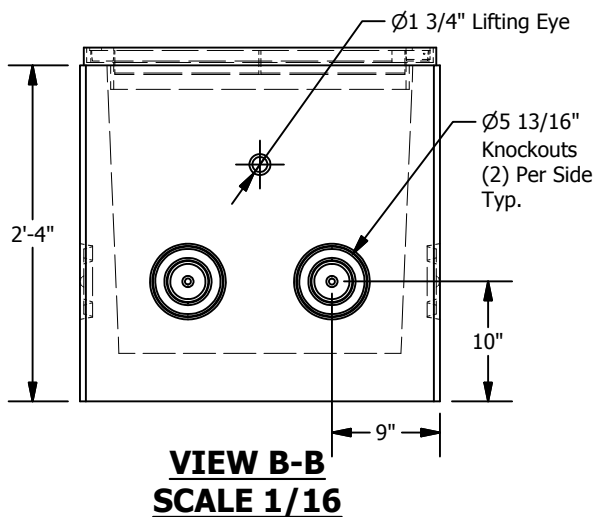
30 x 30 Meter Vault



JOINT DETAIL C
SCALE 1/8



SECTION D-D
SCALE 1/16



© 2013 Granite Precasting & Concrete, Inc.

SPECIFICATIONS

- Concrete: $F_c=5,000$ psi @28 days
- Rebar: ASTM A-615 Grade 60
- Design: ASTM C-857 "Minimum Structural Design Loading for Underground Precast Concrete Utility Structures"
- Loads: AASHTO HS-20
- Backfill with granular free draining material (sand or pea gravel) free of stones or cobbles greater than 4" in dia.
- Holes cored to plan specifications.
- Items shown are subject to change without notice.