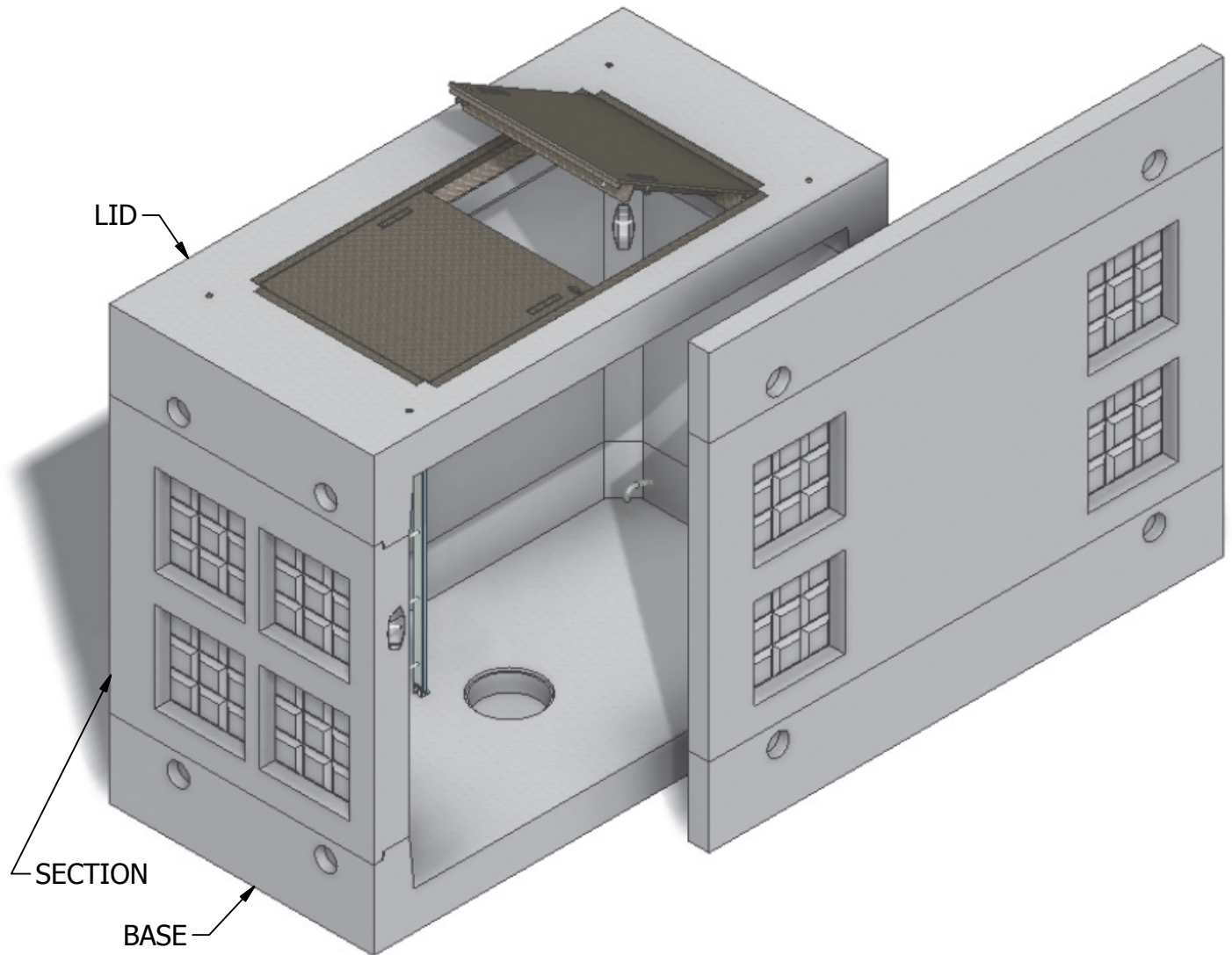


# 4 x 8 Meter Vault



INTERIOR DIMENSIONS:  
4'-4"W x 8'-4"L x 6'-3"H

WEIGHTS:  
LID (4,360 lbs)  
SECTION (6,580 lbs)  
BASE (5,600 lbs)

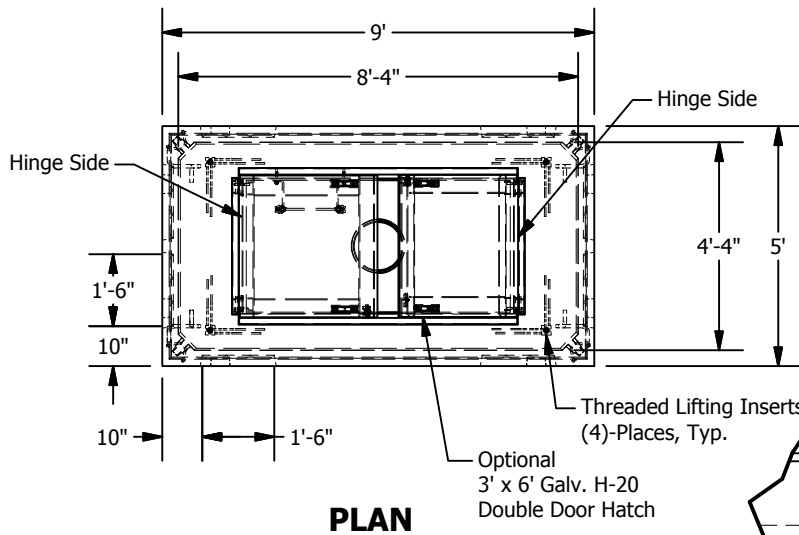
NOTE: Side panel has been shifted to show internal view and is not removable.

© 2013 Granite Precasting & Concrete, Inc.

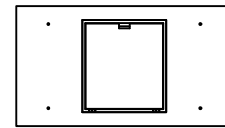


4116 BAKERVIEW SPUR, BELLINGHAM, WA 98226 - (360) 671-2251 - 1-800-808-2251 - FAX: (360) 671-0780

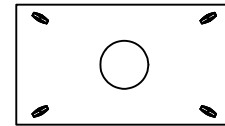
# 4 x 8 Meter Vault



**PLAN**

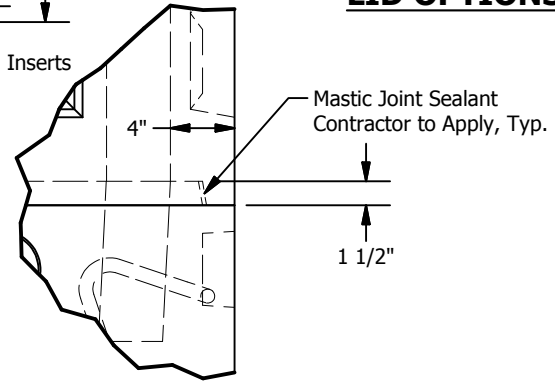


4' x 8' Lid  
w/ 3' x 3' Hatch

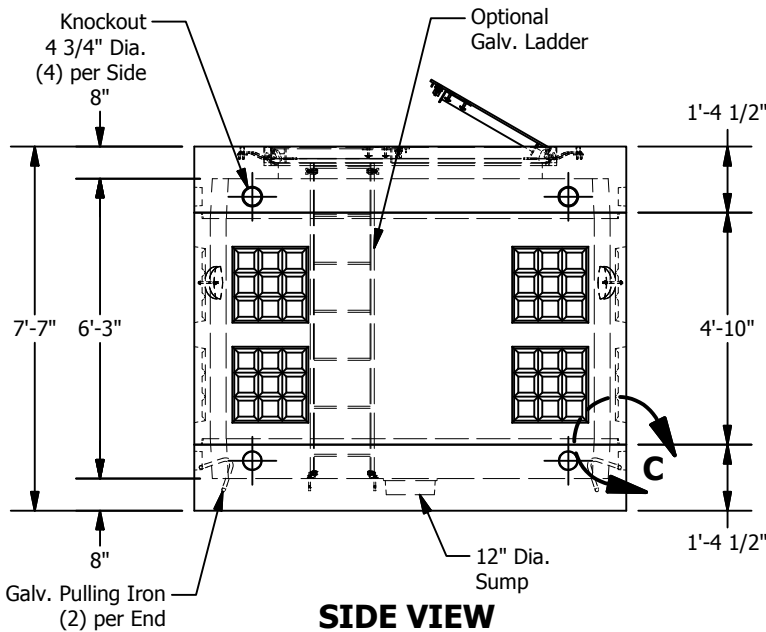


4' x 8' Lid  
w/ 24", 30", 36",  
42", or 48" Dia.  
Opening

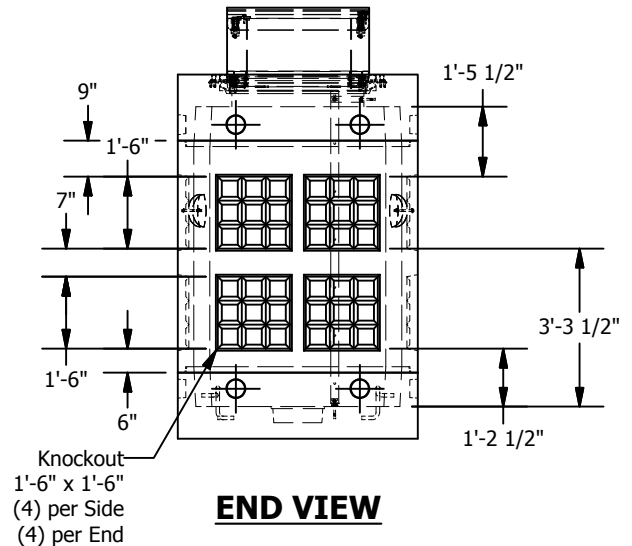
**LID OPTIONS**



**JOINT DETAIL C**  
**SCALE 1/12**



**SIDE VIEW**



**END VIEW**

© 2013 Granite Precasting & Concrete, Inc.

**SPECIFICATIONS**

- Concrete: Fc=5,000 psi @28 days
- Rebar: ASTM A-615 Grade 60
- Design: ASTM C-857 "Minimum Structural Design Loading for Underground Precast Concrete Utility Structures"
- Loads: AASHTO HS-20
- Backfill with granular free draining material (sand or pea gravel) free of stones or cobbles greater than 4" in dia.
- Install lid prior to backfill.
- Items shown are subject to change without notice.