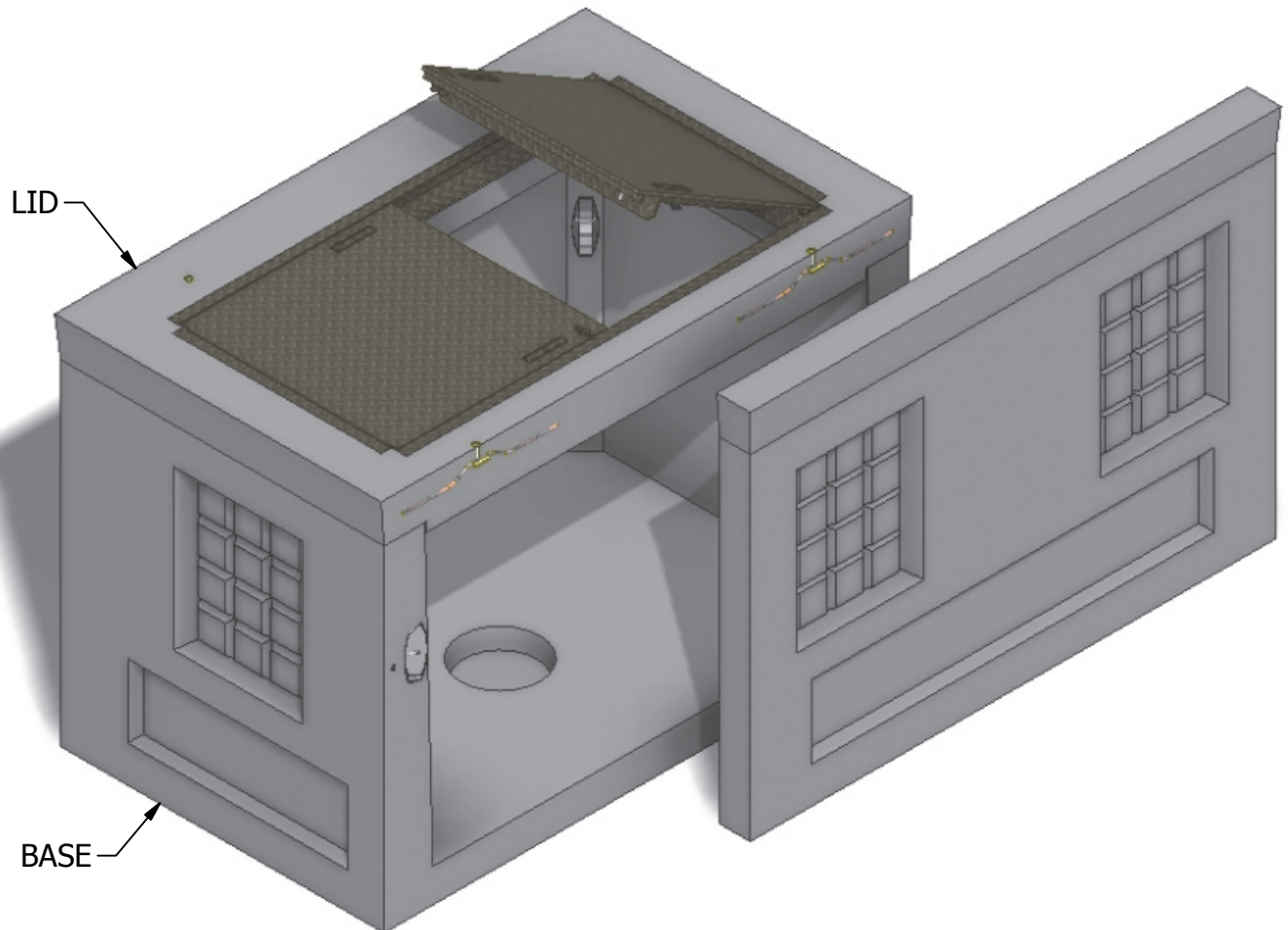


# 5 x 7.5 Meter Vault



INTERIOR DIMENSIONS:  
4'-0"W x 6'-4"L x 4'-0"H

WEIGHTS:  
LID (1,940 lbs)  
BASE (7,060 lbs)

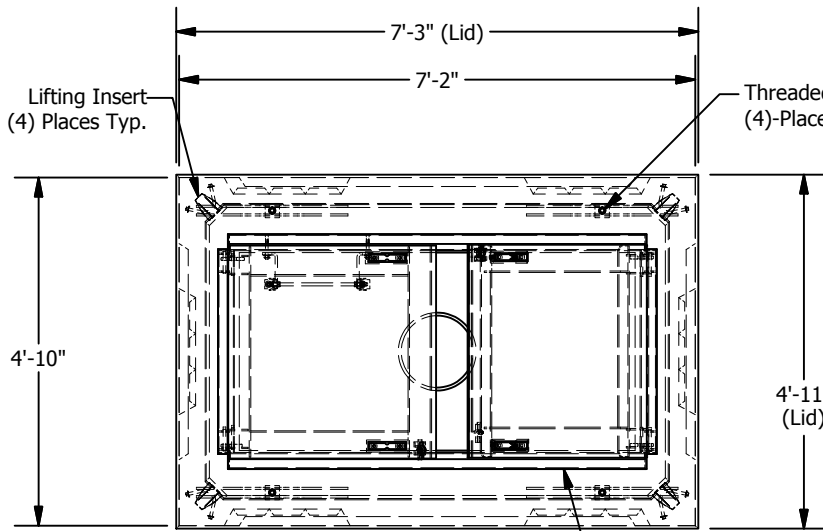
NOTE: Side has been shifted to show internal view and is not removable.

© 2013 Granite Precasting & Concrete, Inc.

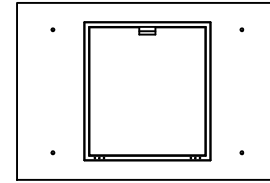


4116 BAKERVIEW SPUR, BELLINGHAM, WA 98226 - (360) 671-2251 - 1-800-808-2251 - FAX: (360) 671-0780

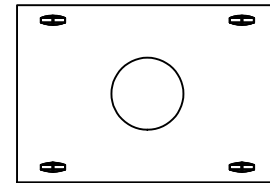
# 5 x 7.5 Meter Vault



**PLAN**



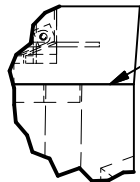
5' x 7' Lid  
w/ 3' x 3' Hatch



5' x 7' Lid  
w/ 24", 30", 36",  
42", or 48" Dia.  
Opening

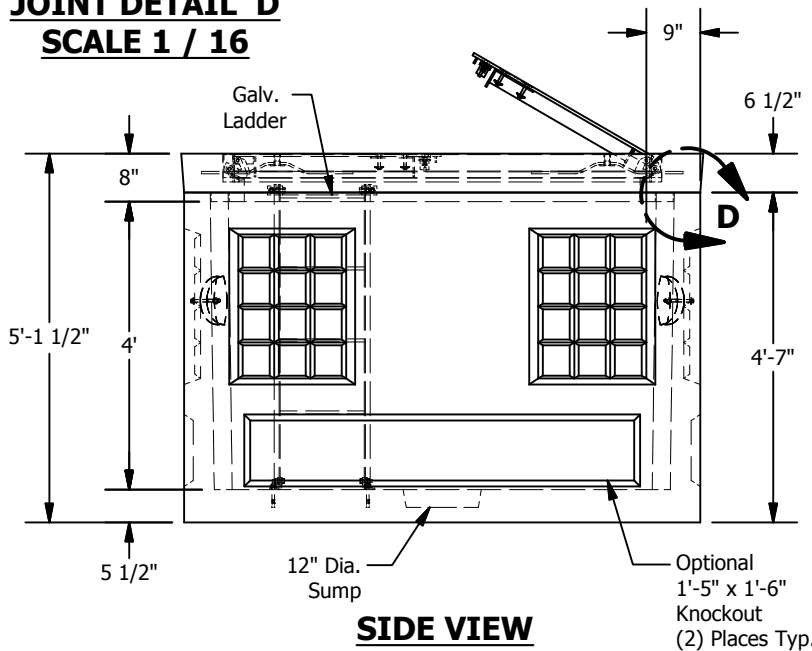
**LID OPTIONS**

Optional  
3' x 6' Galv.  
Double Door  
Access Hatch

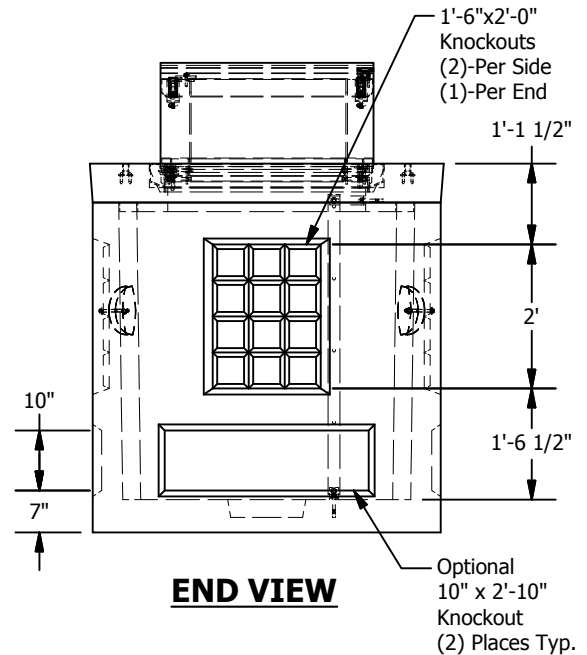


Mastic Joint Sealant  
Contractor to Apply, Typ.

**JOINT DETAIL D**  
**SCALE 1 / 16**



**SIDE VIEW**



**END VIEW**

© 2013 Granite Precasting & Concrete, Inc.

**SPECIFICATIONS**

1. Concrete:  $F_c=5,000$  psi @28 days
2. Rebar: ASTM A-615 Grade 60
3. Design: ASTM C-857 "Minimum Structural Design Loading for Underground Precast Concrete Utility Structures"
4. Loads: AASHTO HS-20
5. Backfill with granular free draining material (sand or pea gravel) free of stones or cobbles greater than 4" in dia.
6. Install lid prior to backfill.
7. Items shown are subject to change without notice.