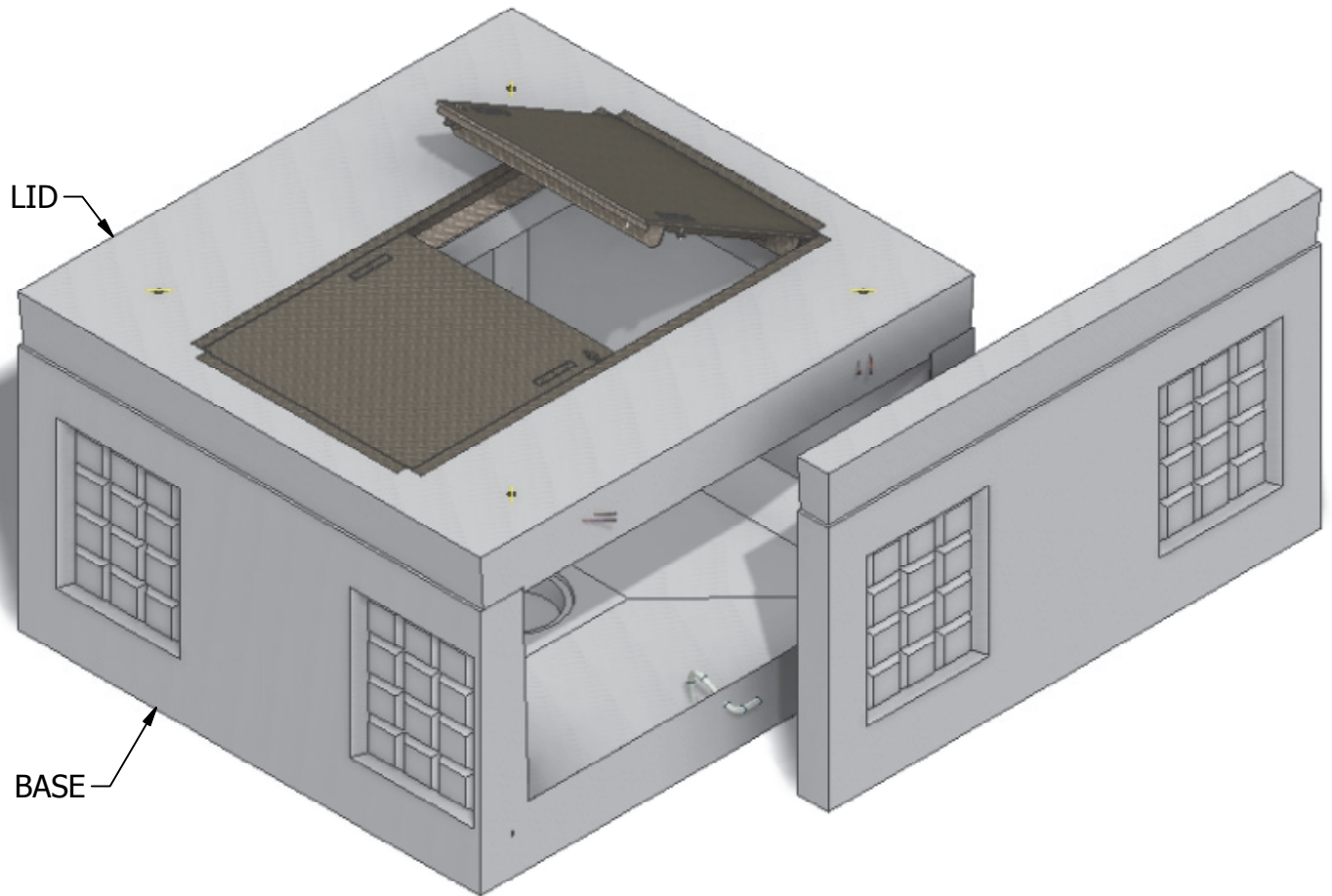


7 x 7.4 Meter Vault



INTERIOR DIMENSIONS:
6'-2 1/2"W x 6'-2 1/2"L x 3'H

WEIGHTS:
LID (5,462 lbs)
BASE (8,400 lbs)

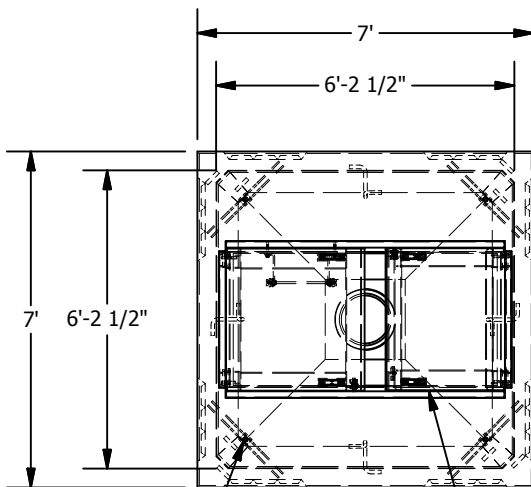
NOTE: Side panel has been shifted to show internal view and is not removable.

© 2013 Granite Precasting & Concrete, Inc.



4116 BAKERVIEW SPUR, BELLINGHAM, WA 98226 - (360) 671-2251 - 1-800-808-2251 - FAX: (360) 671-0780

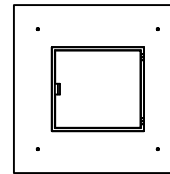
7 x 7.4 Meter Vault



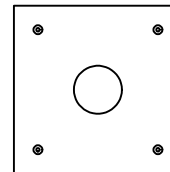
Lifting Insert
(4) Places Typ.

Optional
3' x 6' Galv. H-20
Double Door Hatch

PLAN

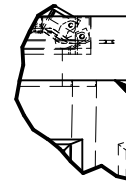


7' x 7' Lid
w/ 3' x 3' Hatch



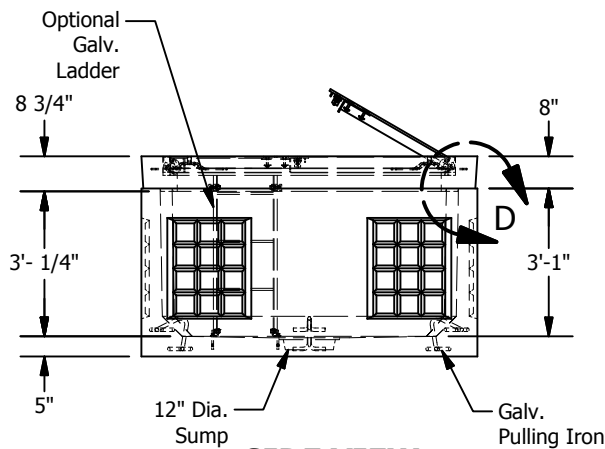
7' x 7' Lid
w/ 24", 30", 36",
42", or 48" Dia.
Opening

LID OPTIONS

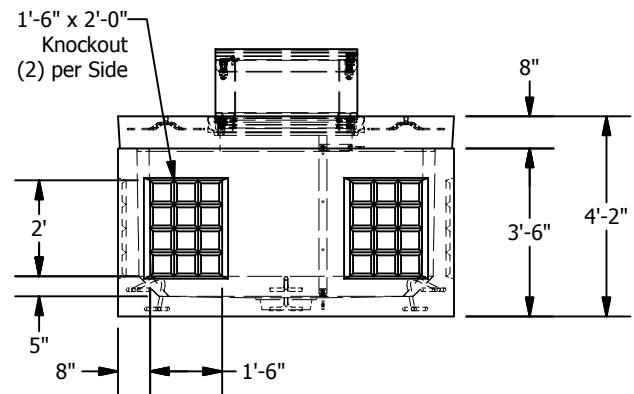


Mastic Joint Sealant
Contractor to Apply, Typ.

JOINT DETAIL D
SCALE 1 / 24



SIDE VIEW



END VIEW

© 2013 Granite Precasting & Concrete, Inc.

SPECIFICATIONS

1. Concrete: $F_c=5,000$ psi @28 days
2. Rebar: ASTM A-615 Grade 60
3. Design: ASTM C-857 "Minimum Structural Design Loading for Underground Precast Concrete Utility Structures"
4. Loads: AASHTO HS-20
5. Backfill with granular free draining material (sand or pea gravel) free of stones or cobbles greater than 4" in dia.
6. Install lid prior to backfill.
7. Items shown are subject to change without notice.