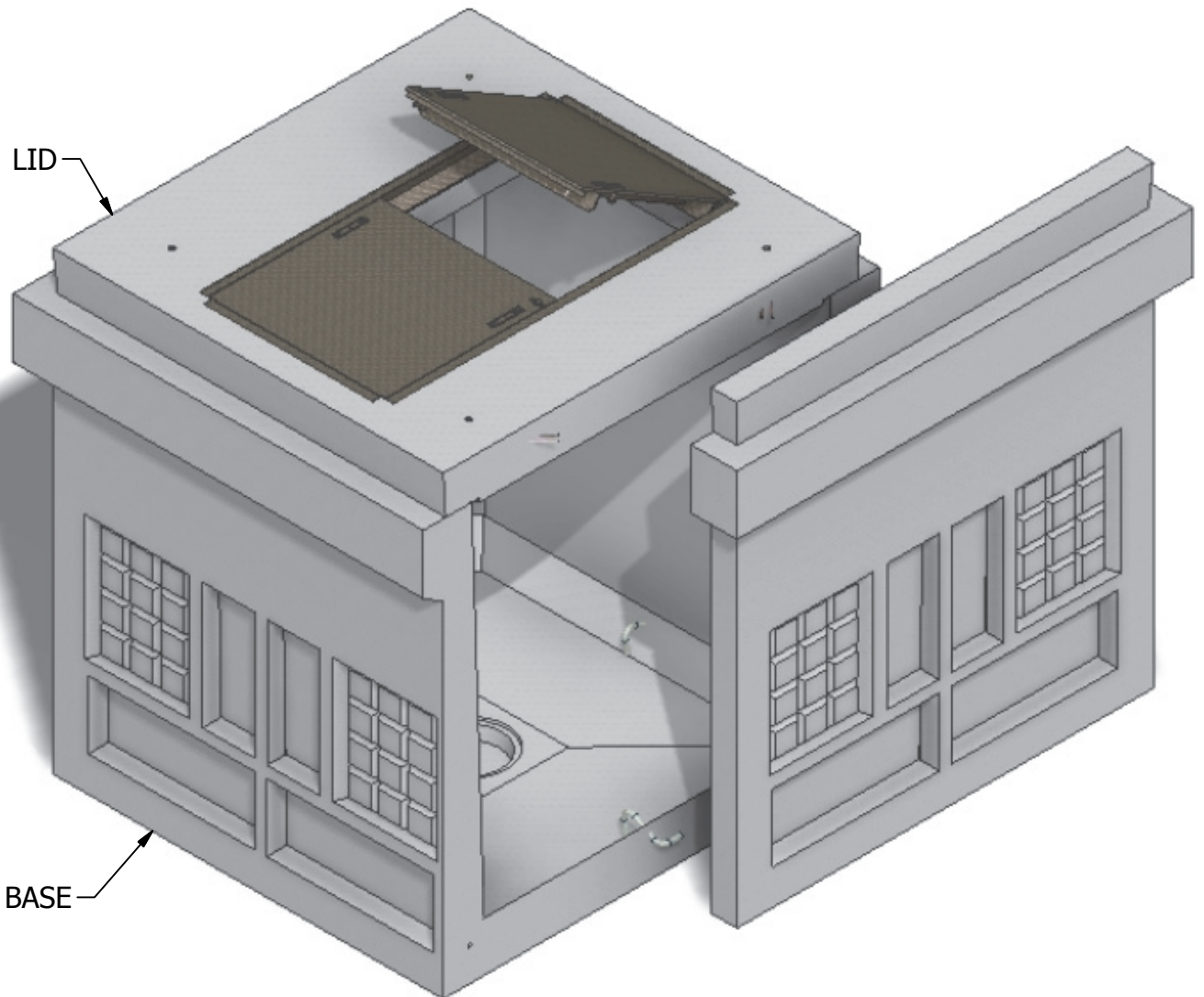


7 x 7.7 Meter Vault



INTERIOR DIMENSIONS:
6'-2 1/2"W x 6'-2 1/2"L x 6'-6"H

WEIGHTS:
LID (5,462 lbs)
BASE (15,907 lbs)

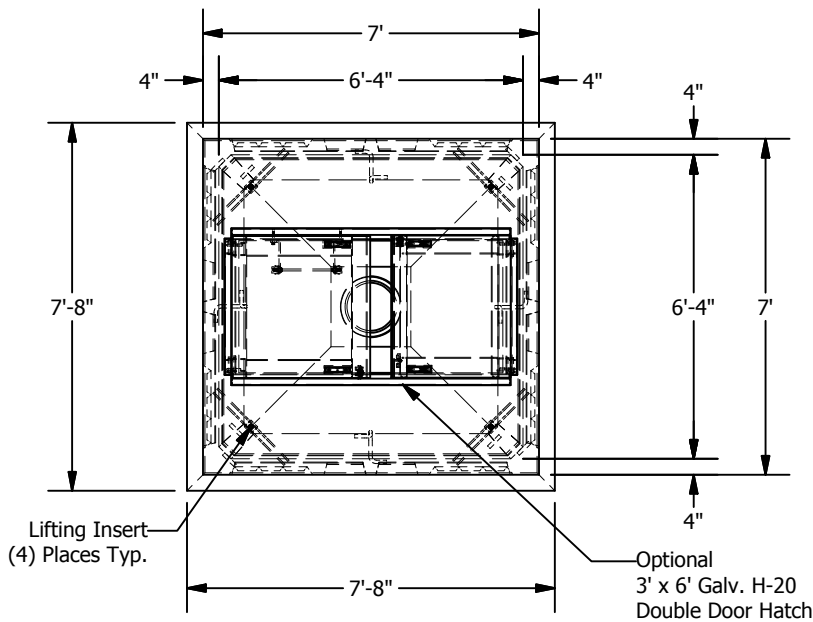
NOTE: Side panel has been shifted to show internal view and is not removable.

© 2013 Granite Precasting & Concrete, Inc.

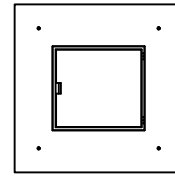


4116 BAKERVIEW SPUR, BELLINGHAM, WA 98226 - (360) 671-2251 - 1-800-808-2251 - FAX: (360) 671-0780

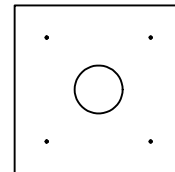
7 x 7.7 Meter Vault



PLAN



7' x 7' Lid
w/ 3' x 3' Hatch



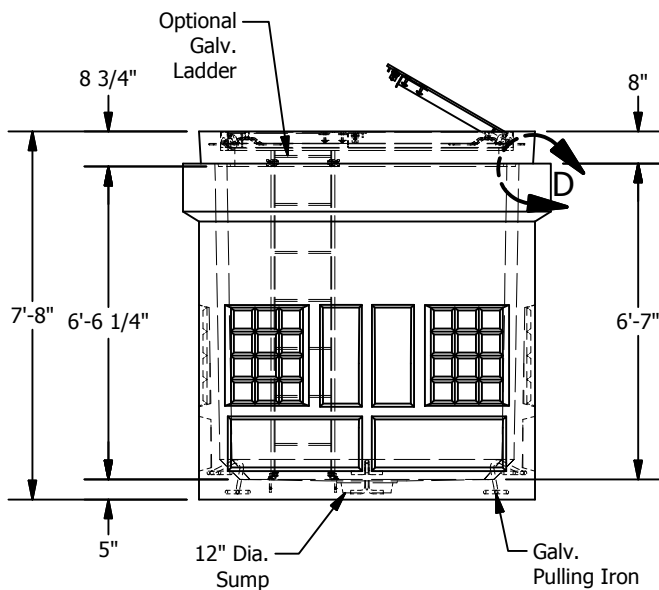
7' x 7' Lid
w/ 24", 30", 36",
42", or 48" Dia.
Opening

LID OPTIONS

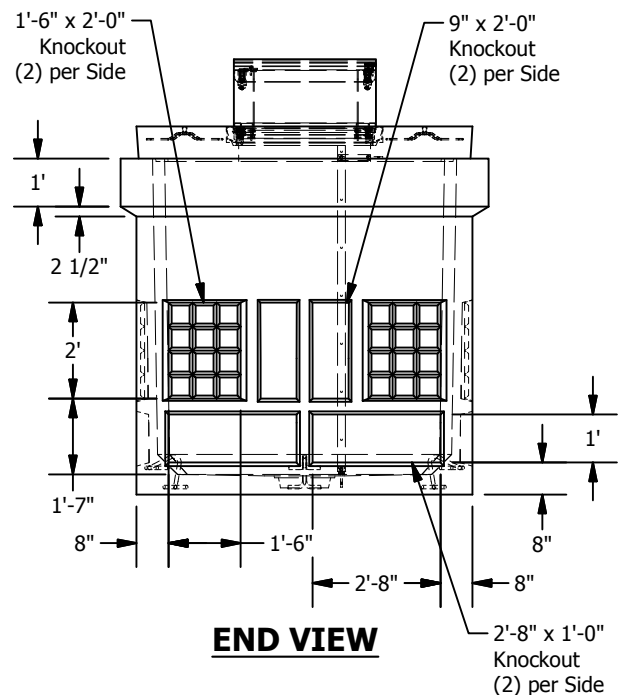


Mastic Joint Sealant
Contractor to Apply, Typ.

**JOINT DETAIL D
SCALE 1 / 24**



SIDE VIEW



END VIEW

© 2013 Granite Precasting & Concrete, Inc.

SPECIFICATIONS

- Concrete: Fc=5,000 psi @28 days
- Rebar: ASTM A-615 Grade 60
- Design: ASTM C-857 "Minimum Structural Design Loading for Underground Precast Concrete Utility Structures"
- Loads: AASHTO HS-20
- Backfill with granular free draining material (sand or pea gravel) free of stones or cobbles greater than 4" in dia.
- Install lid prior to backfill.
- Items shown are subject to change without notice.