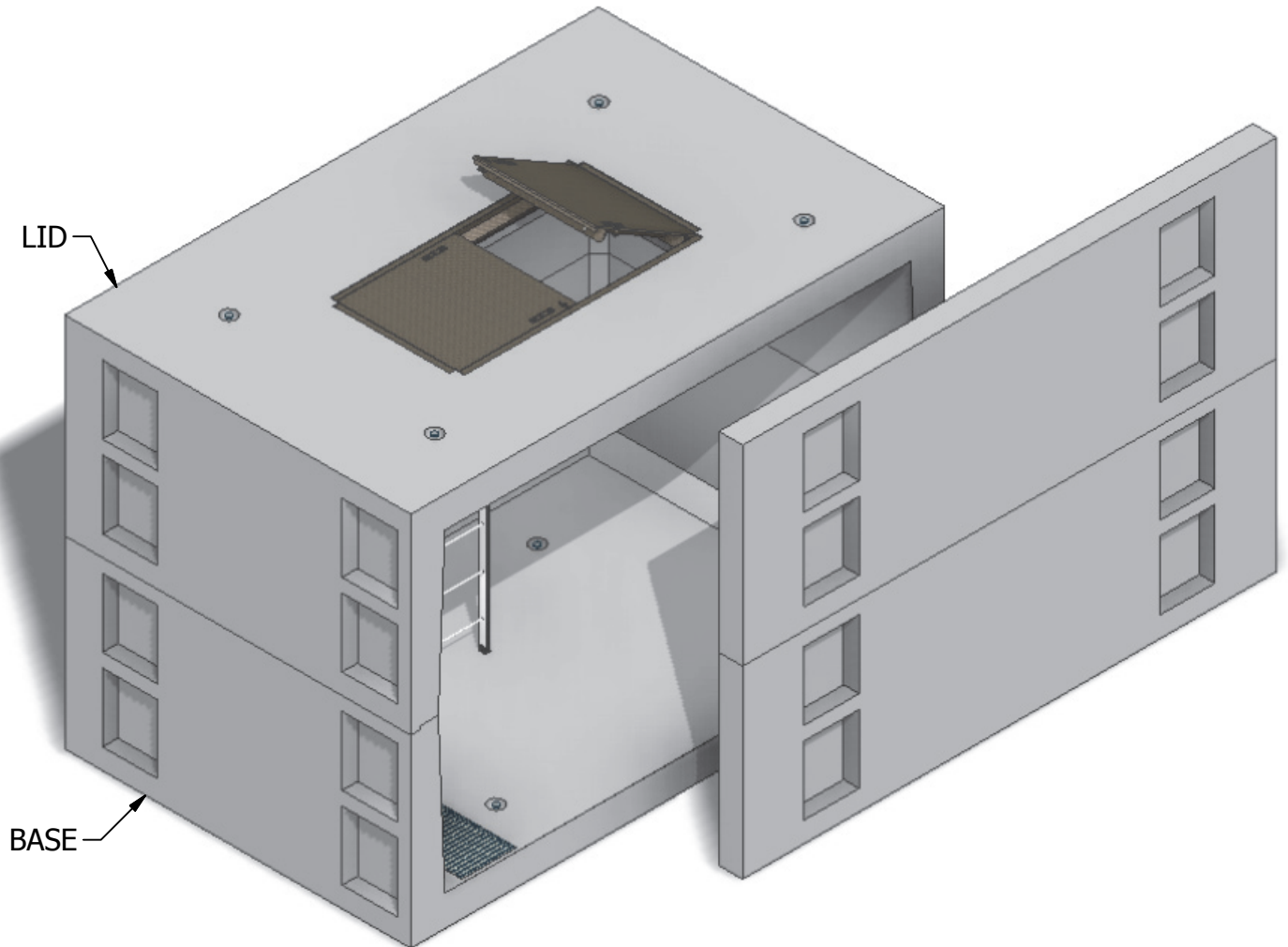


8 x 12 Meter Vault



INTERIOR DIMENSIONS:
8'W x 12'L x 8'H

WEIGHTS:
LID (23,220 lbs)
BASE (24,240 lbs)

NOTE: Side panel has been shifted to show internal view and is not removable.

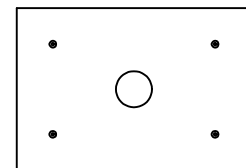
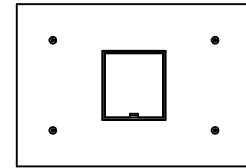
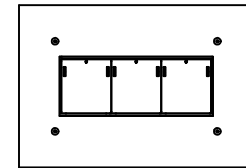
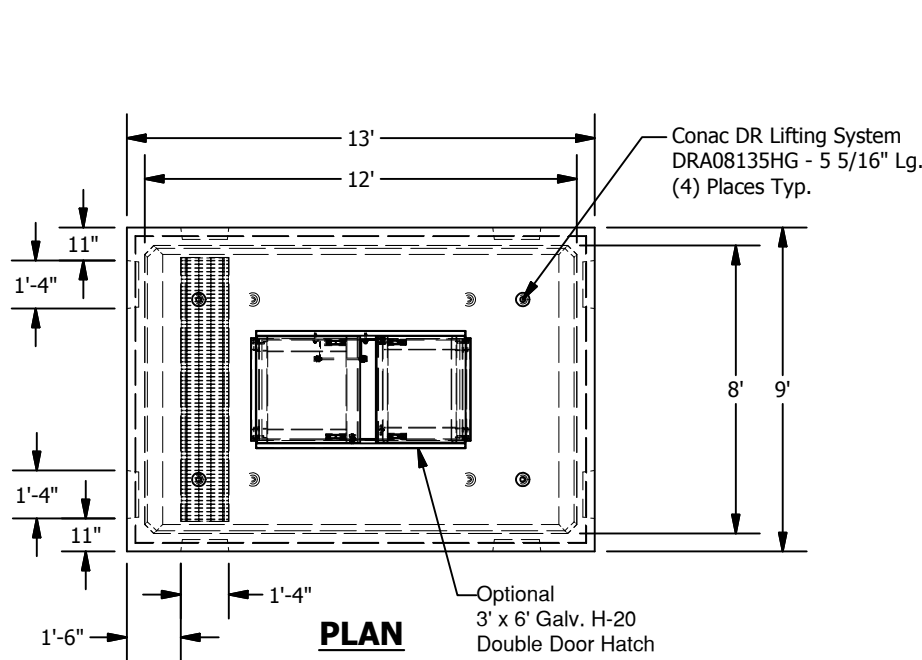
© 2013 Granite Precasting & Concrete, Inc.



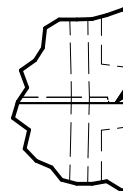
GRANITE™
PRECAST

4116 BAKERVIEW SPUR, BELLINGHAM, WA 98226 - (360) 671-2251 - 1-800-808-2251 - FAX: (360) 671-0780

8 x 12 Meter Vault

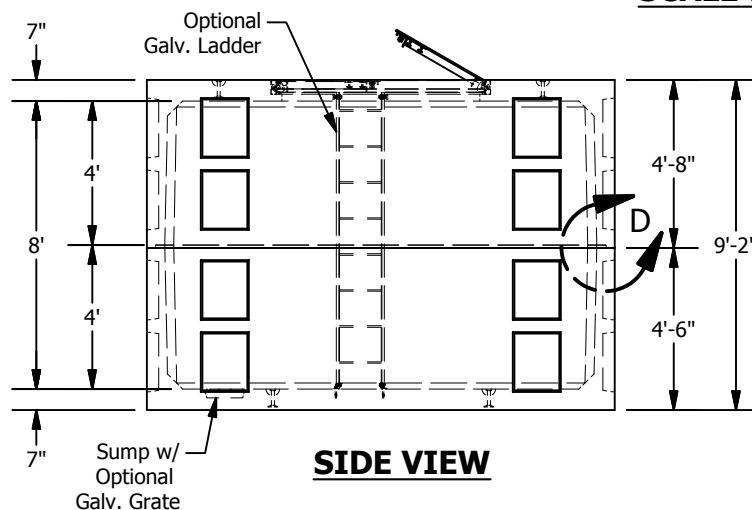


LID OPTIONS

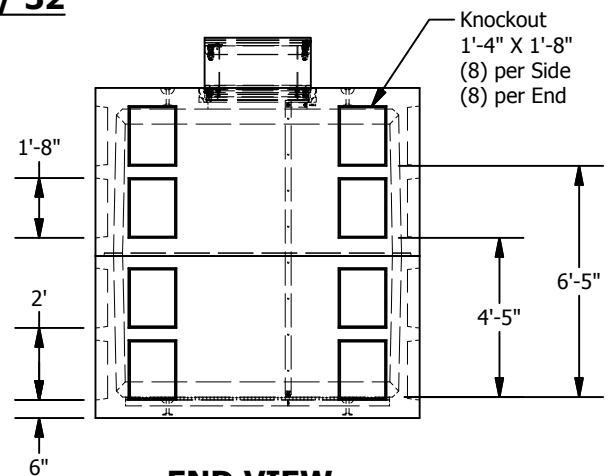


Mastic Joint Sealant Contractor to Apply, Typ.

JOINT DETAIL D SCALE 1 / 32



SIDE VIEW



END VIEW

© 2013 Granite Precasting & Concrete, Inc.

SPECIFICATIONS

- Concrete: $F_c=5,000$ psi @28 days
- Rebar: ASTM A-615 Grade 60
- Design: ASTM C-857 "Minimum Structural Design Loading for Underground Precast Concrete Utility Structures"
- Loads: AASHTO HS-20
- Backfill with granular free draining material (sand or pea gravel) free of stones or cobbles greater than 4" in dia.
- Install lid prior to backfill.
- Items shown are subject to change without notice.