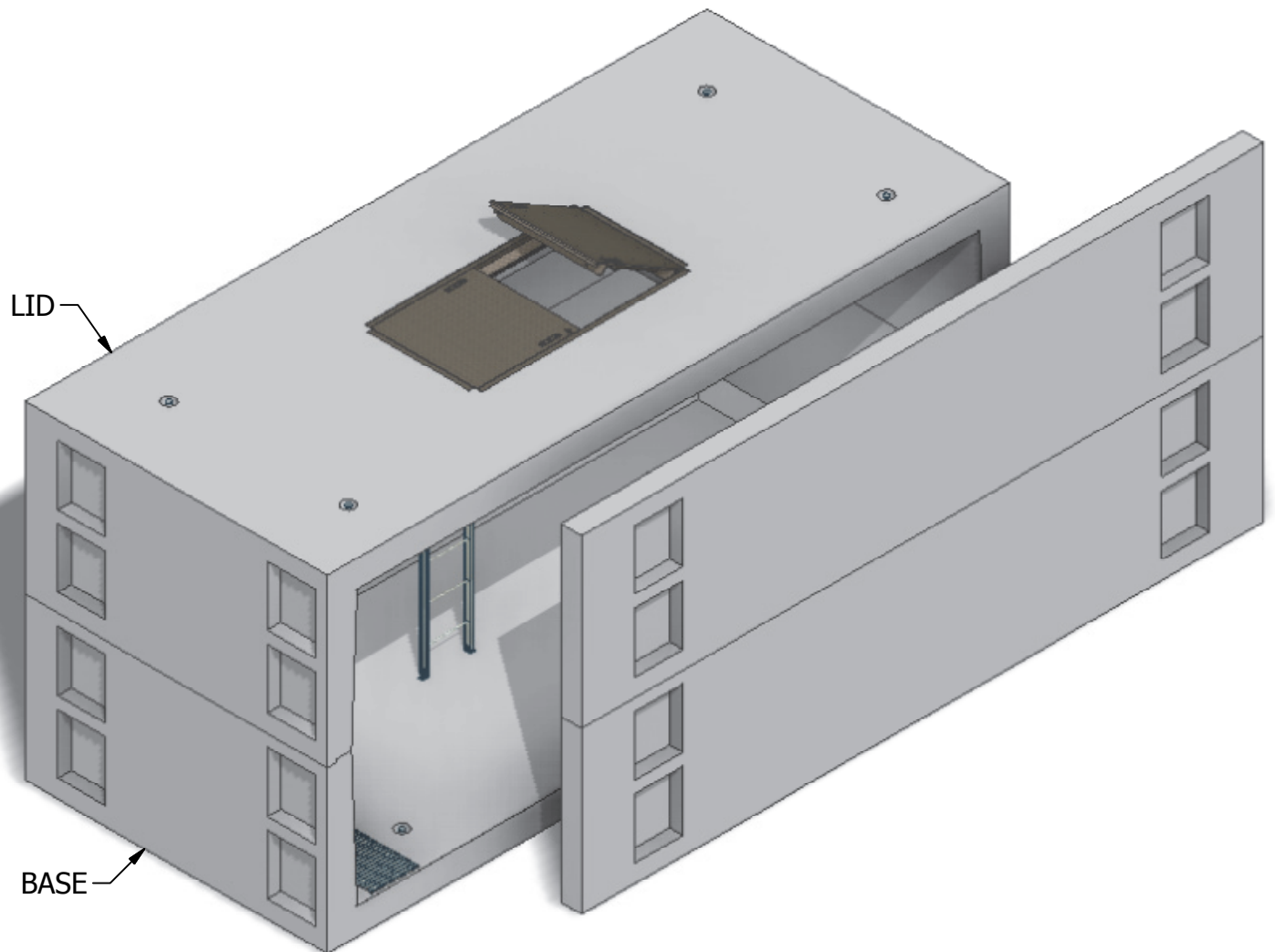


8 x 18 Meter Vault



INTERIOR DIMENSIONS:
8'W x 18'L x 8'H

WEIGHTS:
LID (31,980 lbs)
BASE (33,000 lbs)

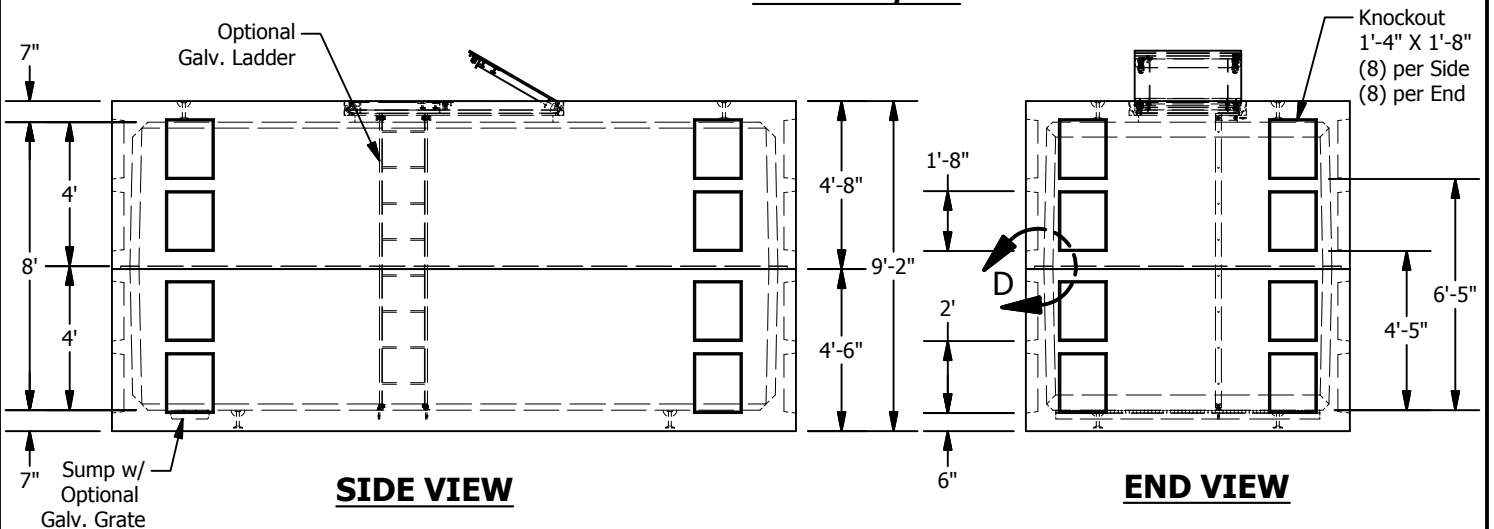
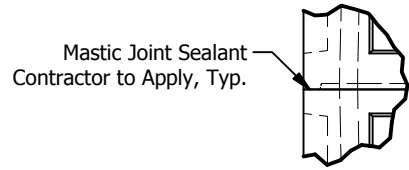
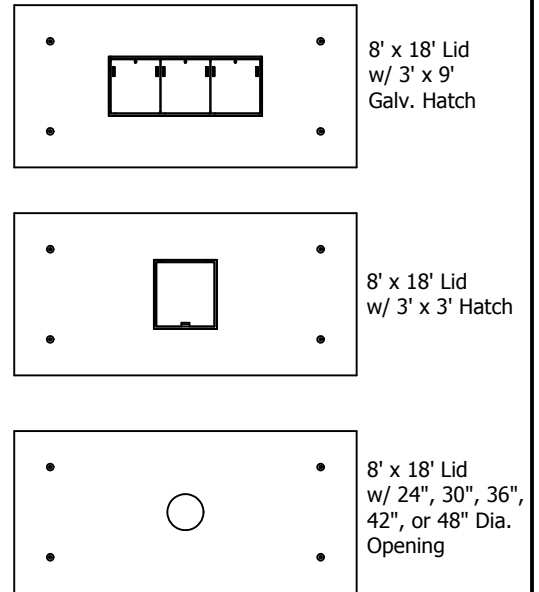
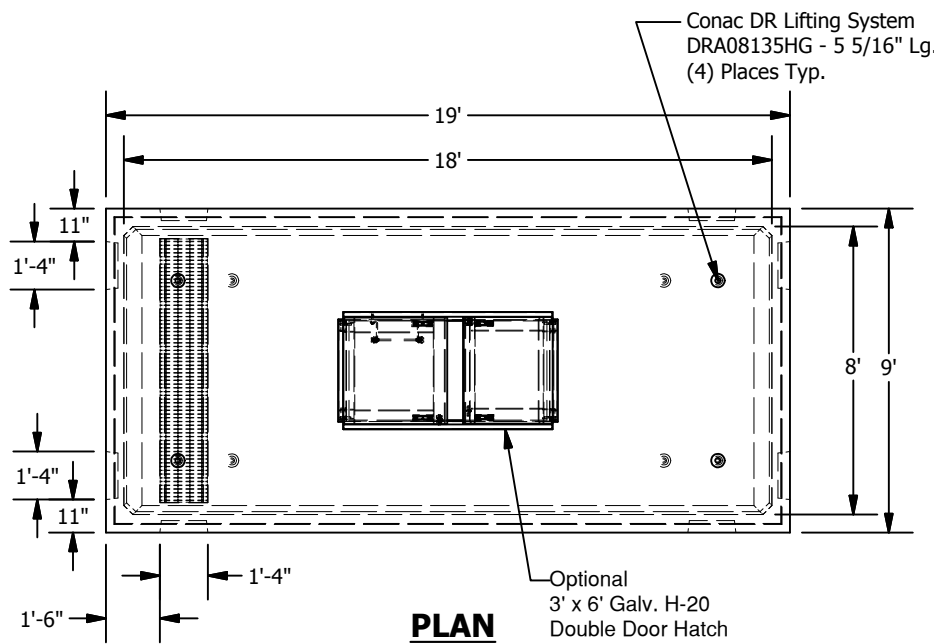
NOTE: Side panel has been shifted to show internal view and is not removable.

© 2013 Granite Precasting & Concrete, Inc.



4116 BAKERVIEW SPUR, BELLINGHAM, WA 98226 - (360) 671-2251 - 1-800-808-2251 - FAX: (360) 671-0780

8 x 18 Meter Vault



© 2013 Granite Precasting & Concrete, Inc.

- SPECIFICATIONS**
- Concrete: $F_c=5,000$ psi @28 days
 - Rebar: ASTM A-615 Grade 60
 - Design: ASTM C-857 "Minimum Structural Design Loading for Underground Precast Concrete Utility Structures"
 - Loads: AASHTO HS-20
 - Backfill with granular free draining material (sand or pea gravel) free of stones or cobbles greater than 4" in dia.
 - Install lid prior to backfill.
 - Items shown are subject to change without notice.