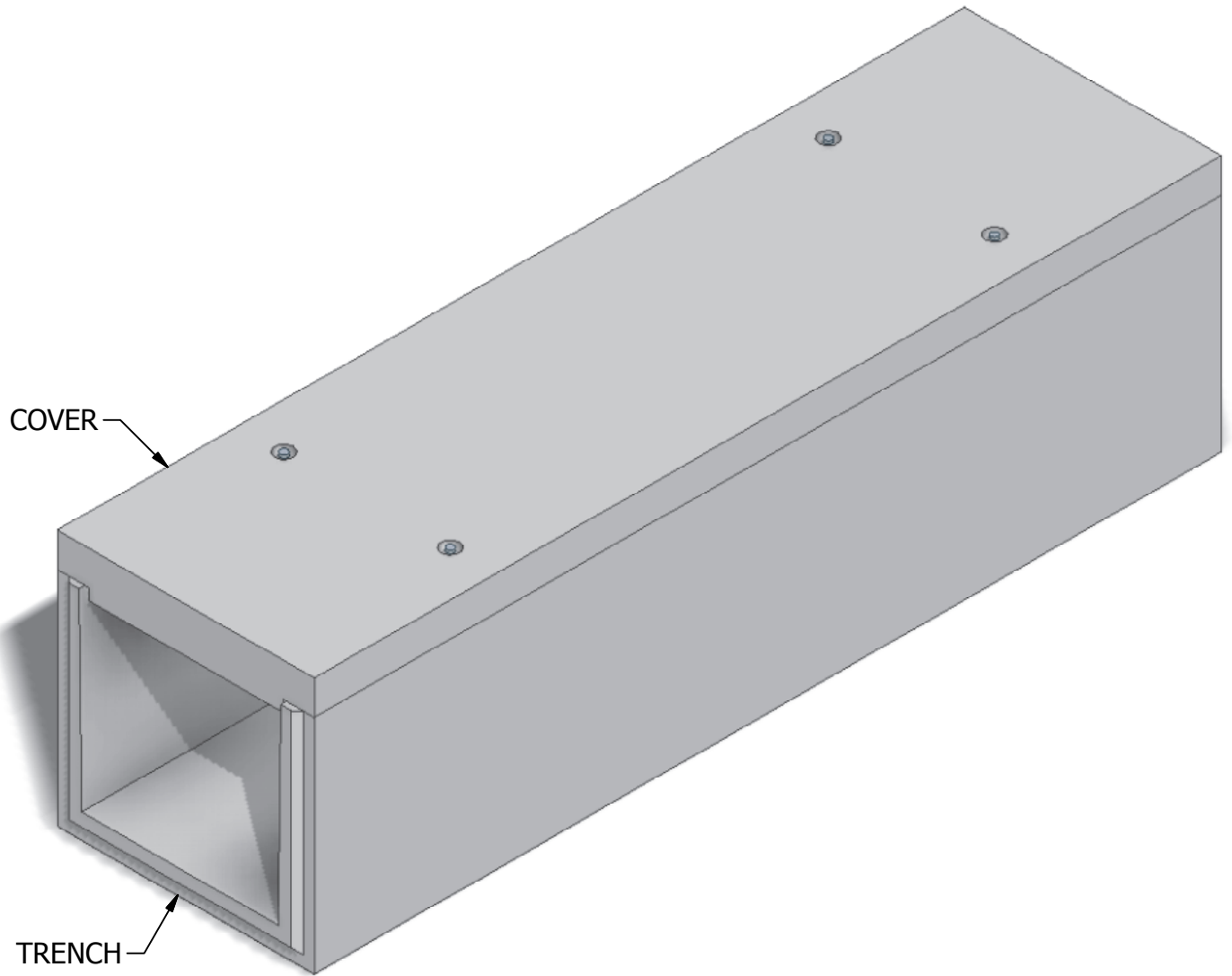


# 26 x 24 Precast Trench



INTERIOR DIMENSIONS:  
2'-2"W x 2'-0"H

WEIGHTS:  
COVER (1,900 lbs)  
TRENCH (3,650 lbs)

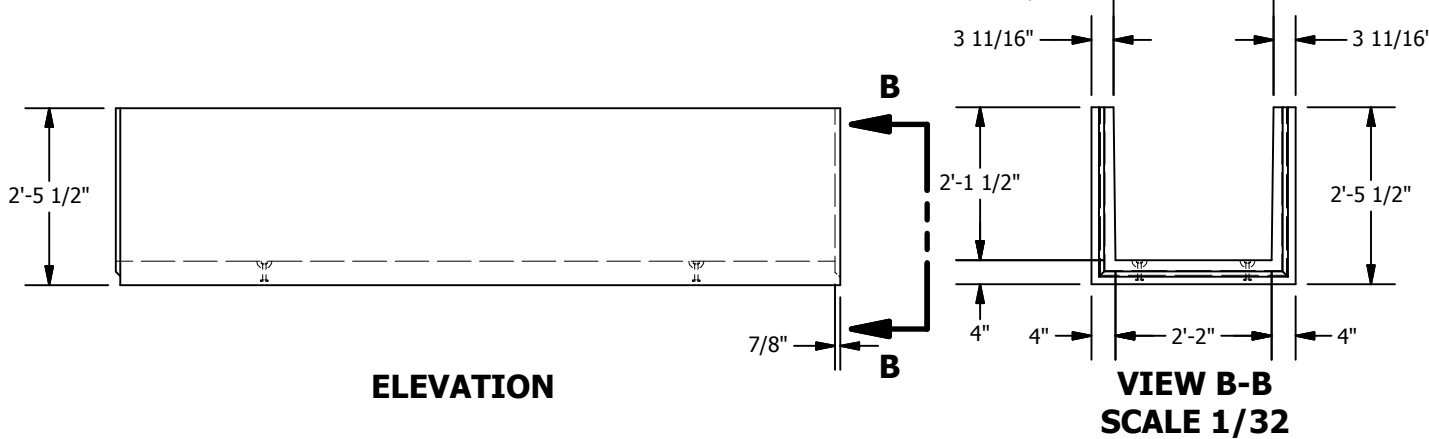
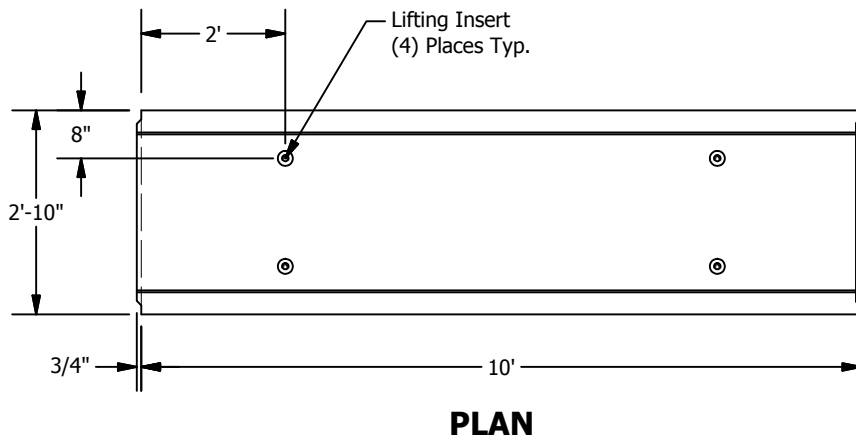
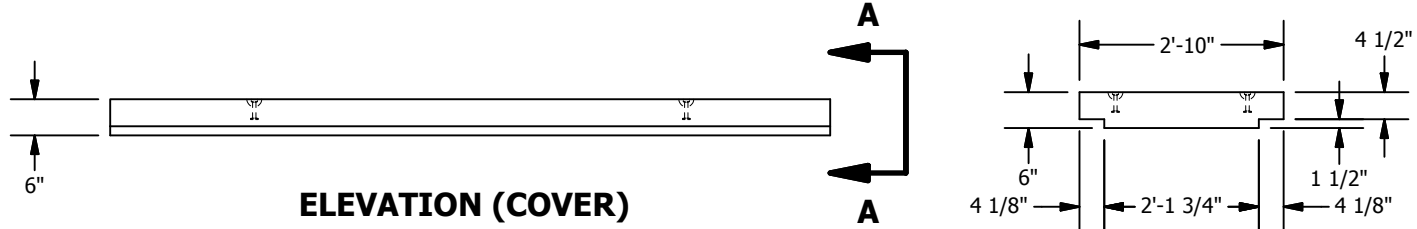
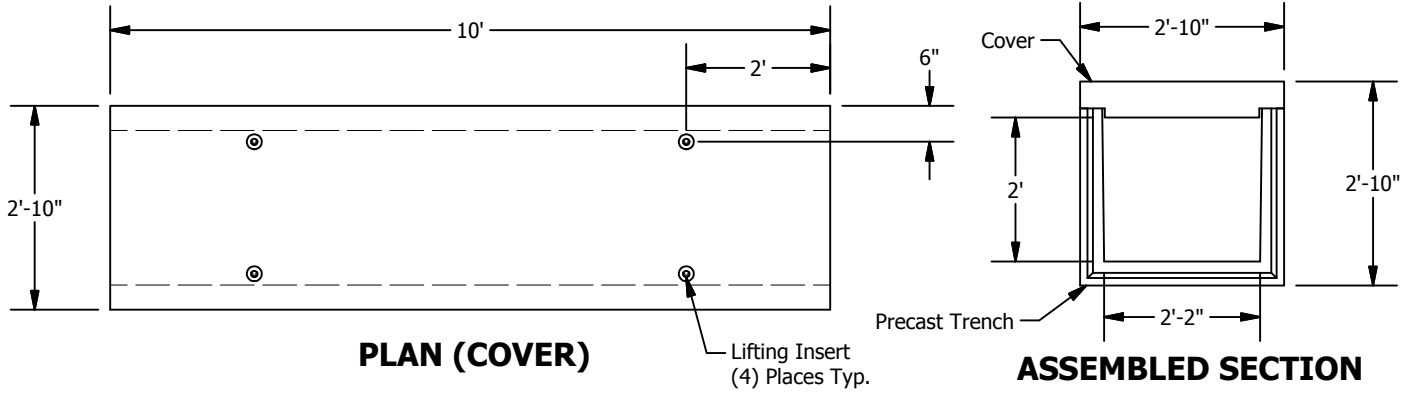
© 2013 Granite Precasting & Concrete, Inc.



**GRANITE**™  
**PRECAST**

4116 BAKERVIEW SPUR, BELLINGHAM, WA 98226 - (360) 671-2251 - 1-800-808-2251 - FAX: (360) 671-0780

# 26 x 24 Precast Trench



© 2013 Granite Precasting & Concrete, Inc.

## SPECIFICATIONS

- Concrete:  $F_c=4,000$  psi @28 days
- Rebar: ASTM A-615 Grade 60
- Design: ASTM C-857 "Minimum Structural Design Loading for Underground Precast Concrete Utility Structures"
- Loads: AASHTO HS-20
- Backfill with granular free draining material (sand or pea gravel) free of stones or cobbles greater than 4" in dia.
- Items shown are subject to change without notice.