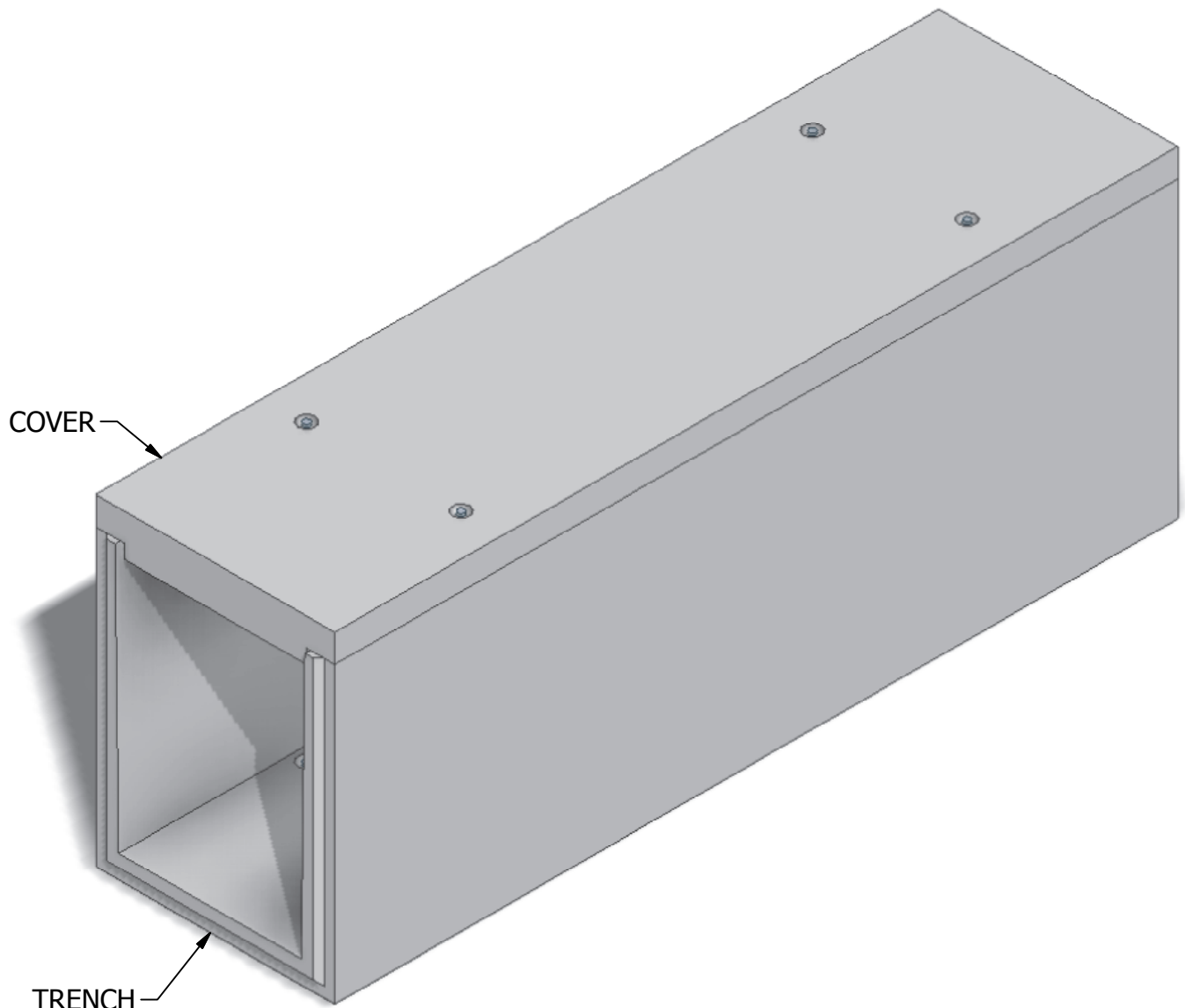


# 26 x 36 Precast Trench



INTERIOR DIMENSIONS:  
2'-2"W x 3'-0"H

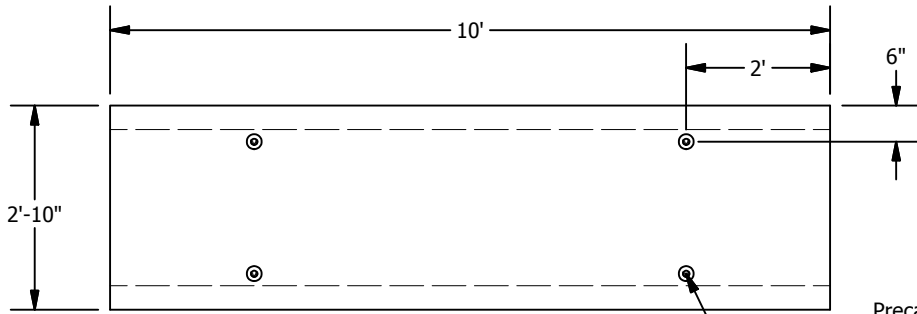
WEIGHTS:  
COVER (2,500 lbs)  
TRENCH (5,300 lbs)

© 2013 Granite Precasting & Concrete, Inc.



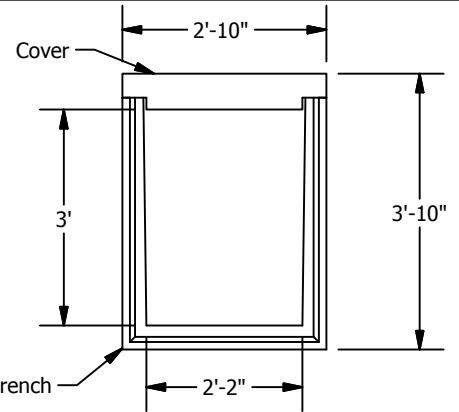
4116 BAKERVIEW SPUR, BELLINGHAM, WA 98226 - (360) 671-2251 - 1-800-808-2251 - FAX: (360) 671-0780

# 26 x 36 Precast Trench



**PLAN (COVER)**

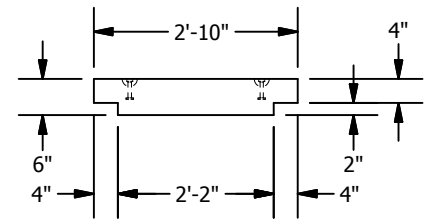
Lifting Insert  
(4) Places Typ.



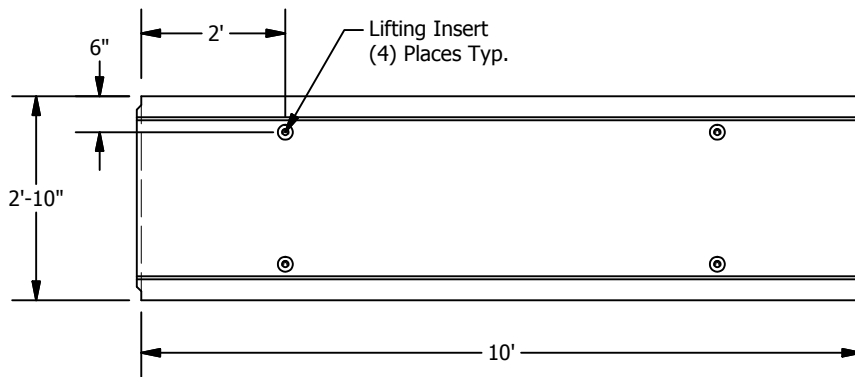
**ASSEMBLED SECTION**



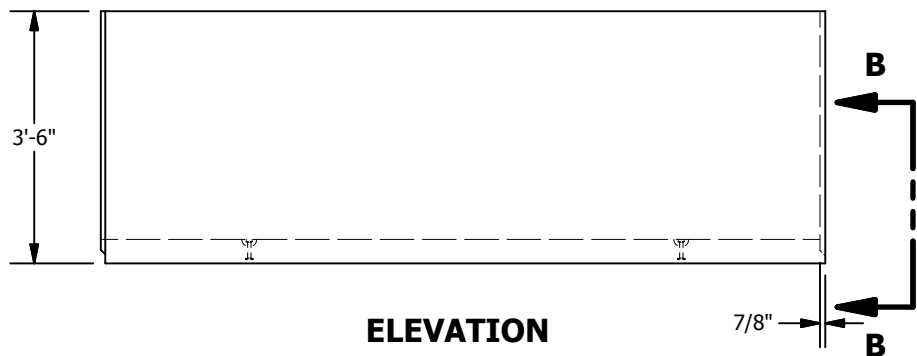
**ELEVATION (COVER)**



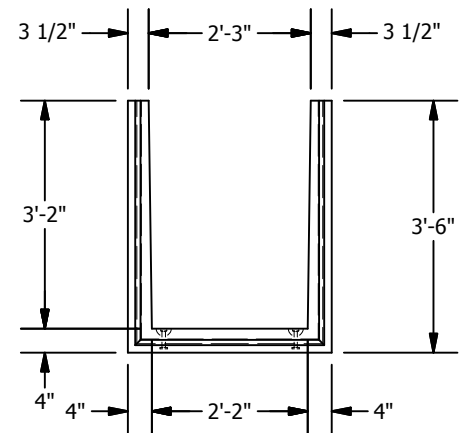
**VIEW A-A  
SCALE 1/32**



**PLAN**



**ELEVATION**



**VIEW B-B  
SCALE 1/32**

© 2013 Granite Precasting & Concrete, Inc.

**SPECIFICATIONS**

1. Concrete: Fc=4,000 psi @28 days
2. Rebar: ASTM A-615 Grade 60
3. Design: ASTM C-857 "Minimum Structural Design Loading for Underground Precast Concrete Utility Structures"
4. Loads: AASHTO HS-20
5. Backfill with granular free draining material (sand or pea gravel) free of stones or cobbles greater than 4" in dia.
6. Items shown are subject to change without notice.