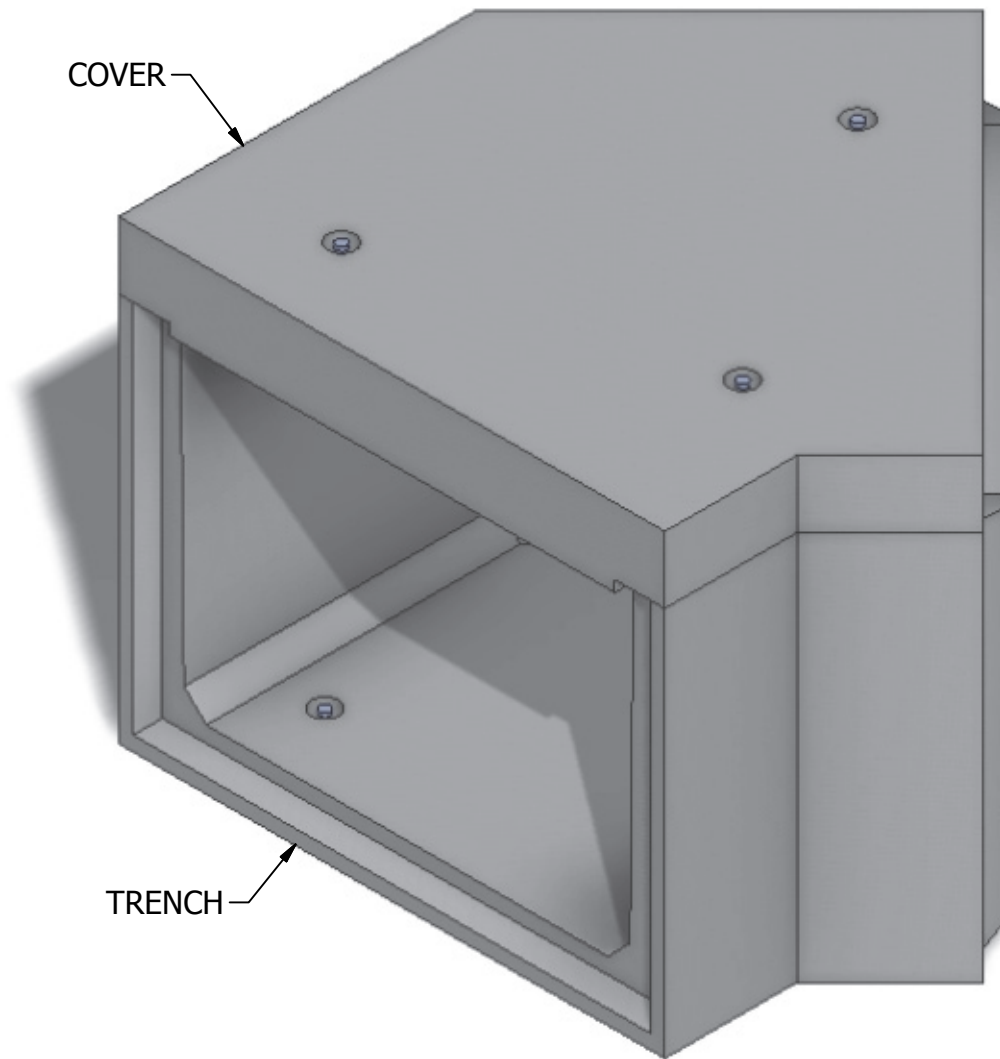


40 x 30 45° Precast Trench



INTERIOR DIMENSIONS:
3'-4"W x 2'-6"H

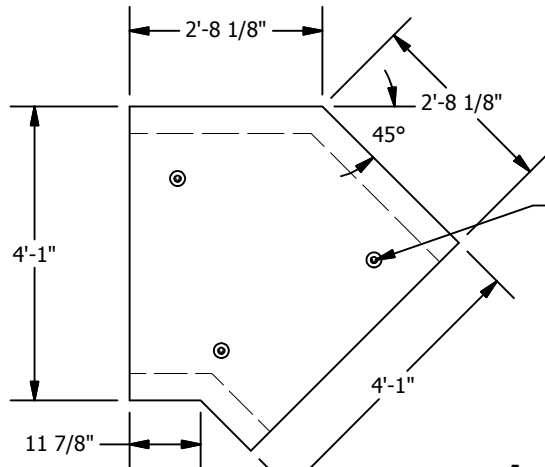
WEIGHTS:
COVER (1,395 lbs)
TRENCH (2,000 lbs)

© 2013 Granite Precasting & Concrete, Inc.

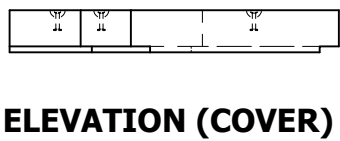


4116 BAKERVIEW SPUR, BELLINGHAM, WA 98226 - (360) 671-2251 - 1-800-808-2251 - FAX: (360) 671-0780

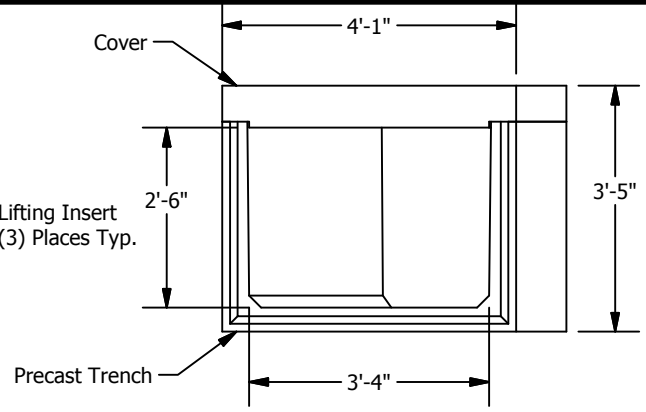
40 x 30 45° Precast Trench



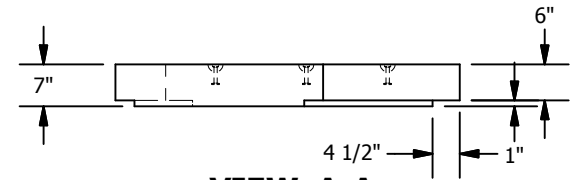
PLAN (COVER)



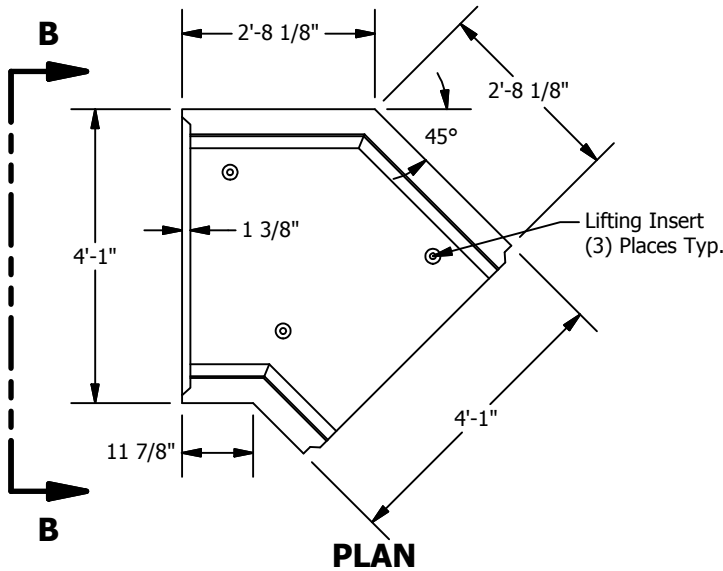
ELEVATION (COVER)



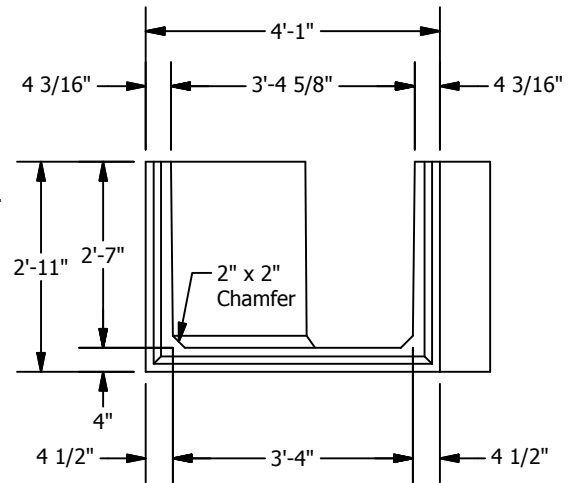
ASSEMBLED SECTION



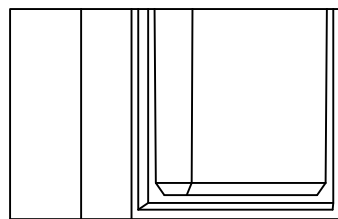
**VIEW A-A
SCALE 1/32**



PLAN



**VIEW B-B
SCALE 1/32**



ELEVATION

© 2013 Granite Precasting & Concrete, Inc.

SPECIFICATIONS

1. Concrete: Fc=4,000 psi @28 days
2. Rebar: ASTM A-615 Grade 60
3. Design: ASTM C-857 "Minimum Structural Design Loading for Underground Precast Concrete Utility Structures"
4. Loads: AASHTO HS-20
5. Backfill with granular free draining material (sand or pea gravel) free of stones or cobbles greater than 4" in dia.
6. Items shown are subject to change without notice.