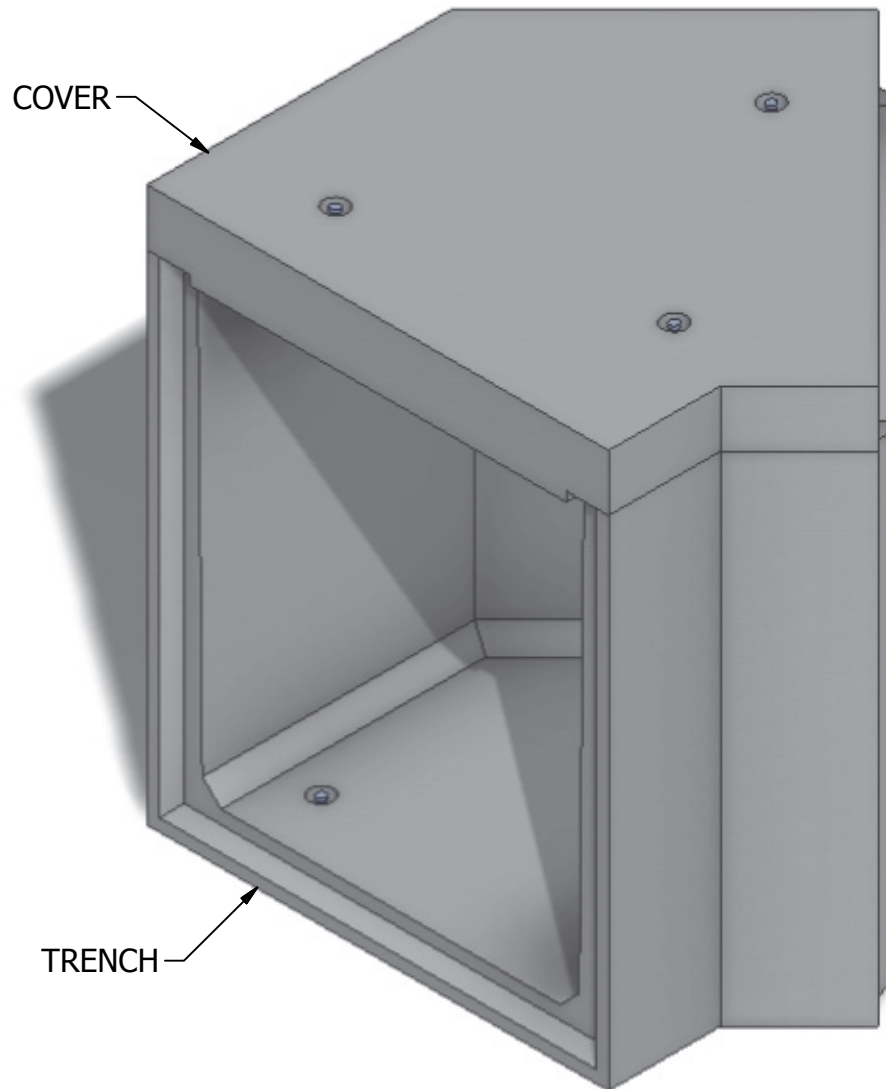


# 40 x 48 45° Precast Trench



INTERIOR DIMENSIONS:  
3'-4"W x 4'-0"H

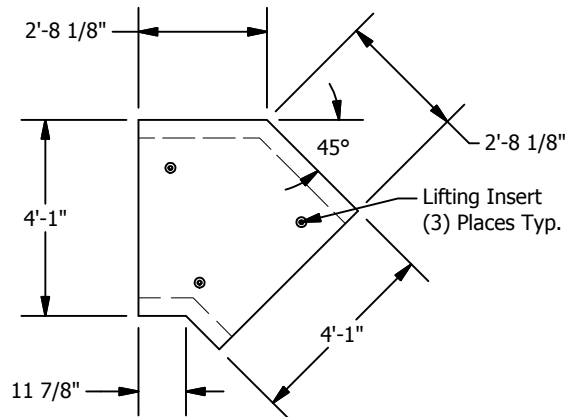
WEIGHTS:  
COVER (1,395 lbs)  
TRENCH (2,551 lbs)

© 2013 Granite Precasting & Concrete, Inc.



4116 BAKERVIEW SPUR, BELLINGHAM, WA 98226 - (360) 671-2251 - 1-800-808-2251 - FAX: (360) 671-0780

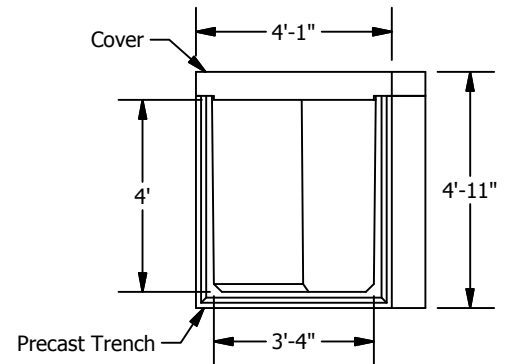
# 40 x 48 45° Precast Trench



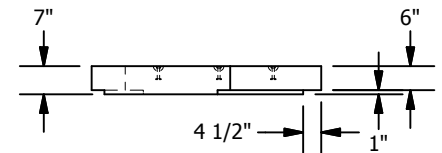
**PLAN (COVER) A**



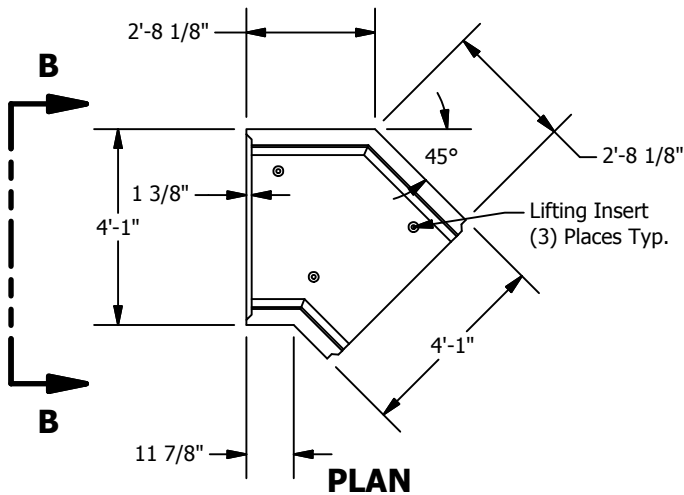
**ELEVATION (COVER) A**



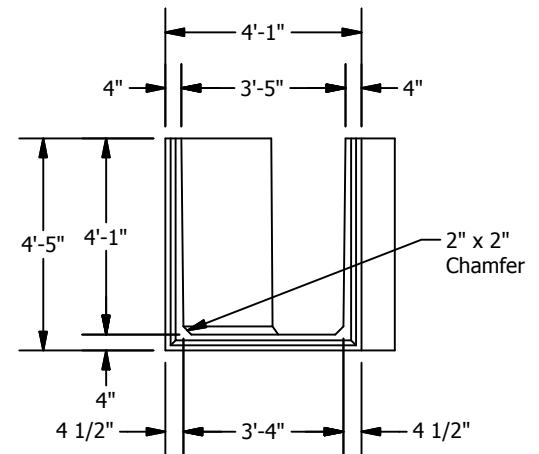
**ASSEMBLED SECTION**



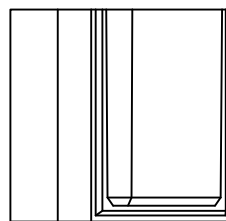
**VIEW A-A  
SCALE 1/48**



**PLAN**



**VIEW B-B  
SCALE 1/48**



**ELEVATION**

© 2013 Granite Precasting & Concrete, Inc.

**SPECIFICATIONS**

1. Concrete:  $F_c=4,000$  psi @28 days
2. Rebar: ASTM A-615 Grade 60
3. Design: ASTM C-857 "Minimum Structural Design Loading for Underground Precast Concrete Utility Structures"
4. Loads: AASHTO HS-20
5. Backfill with granular free draining material (sand or pea gravel) free of stones or cobbles greater than 4" in dia.
6. Items shown are subject to change without notice.