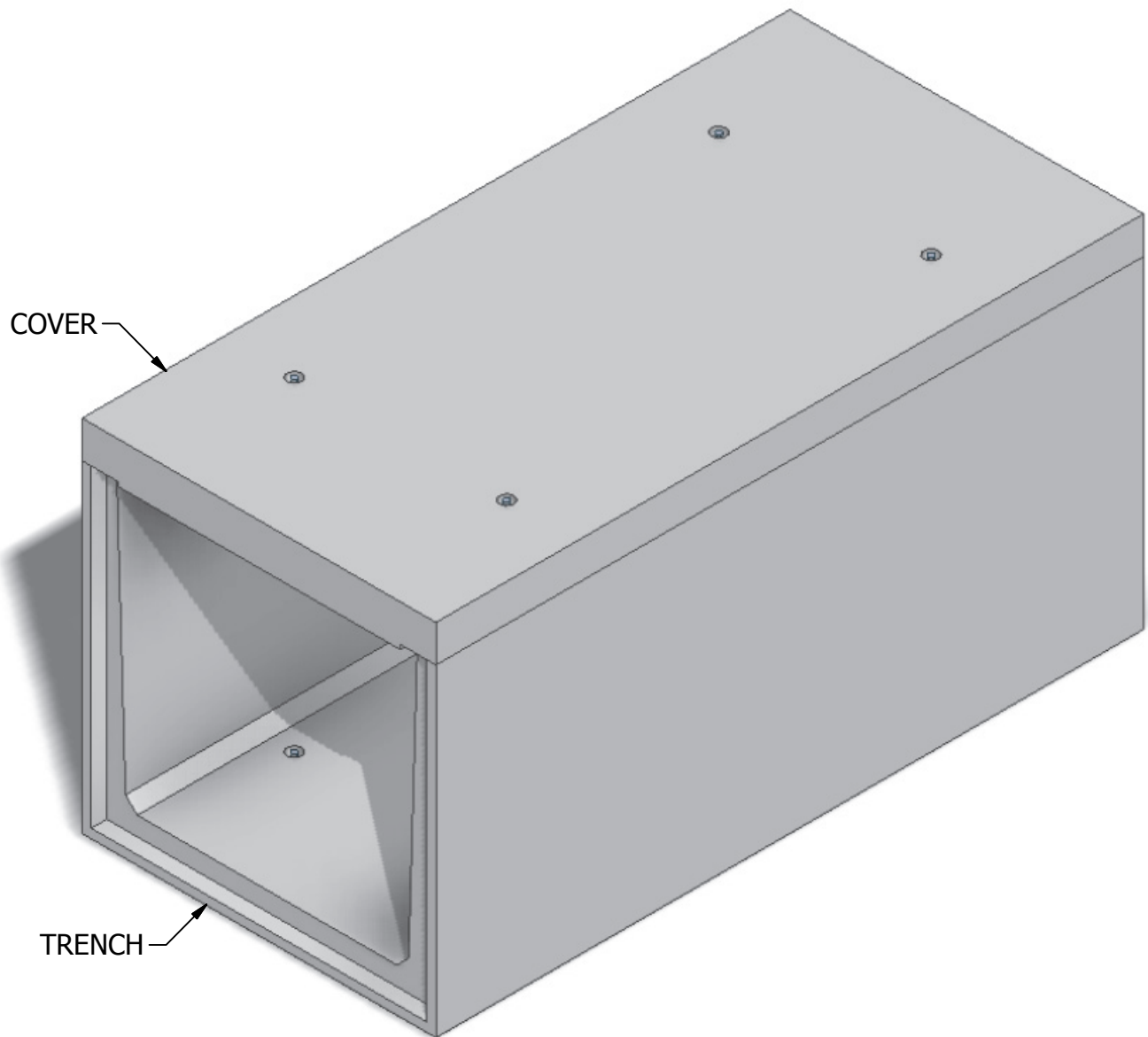


48 x 48 Precast Trench



INTERIOR DIMENSIONS:
4'-0"W x 4'-0"H

WEIGHTS:
COVER (4,500 lbs)
TRENCH (10,000 lbs)

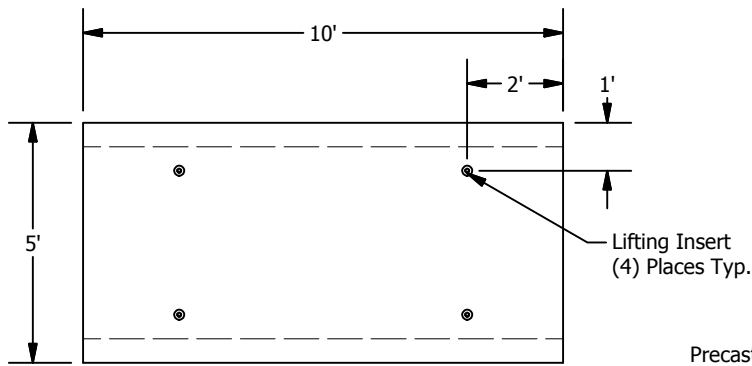
© 2013 Granite Precasting & Concrete, Inc.



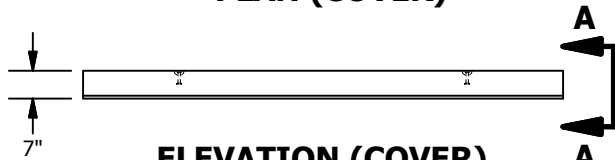
GRANITE™
PRECAST

4116 BAKERVIEW SPUR, BELLINGHAM, WA 98226 - (360) 671-2251 - 1-800-808-2251 - FAX: (360) 671-0780

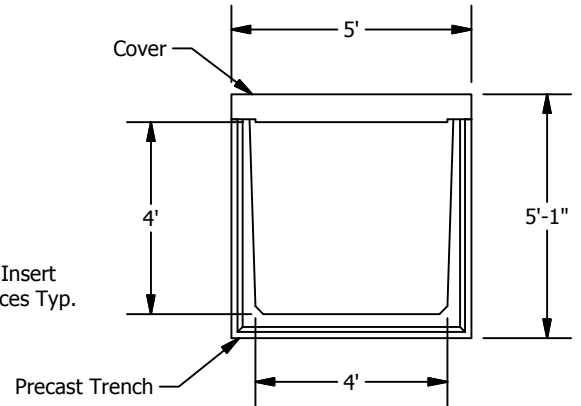
48 x 48 Precast Trench



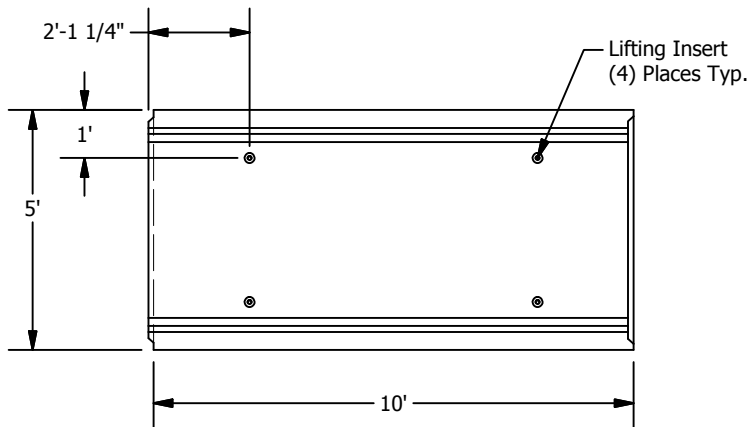
PLAN (COVER)



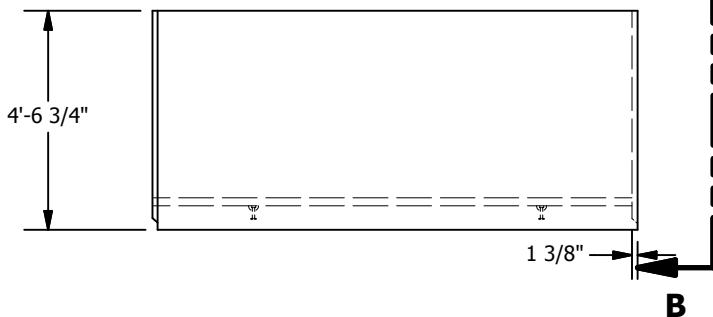
ELEVATION (COVER)



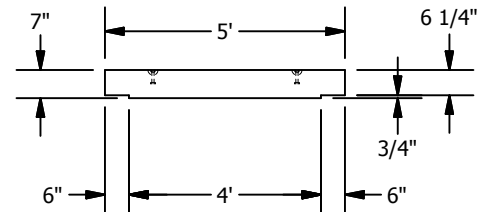
ASSEMBLED SECTION



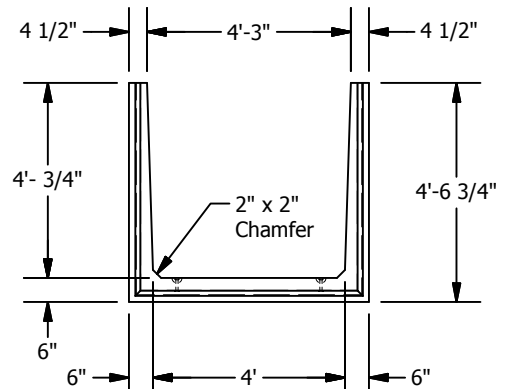
PLAN



ELEVATION



**VIEW A-A
SCALE 1/48**



**VIEW B-B
SCALE 1/48**

© 2013 Granite Precasting & Concrete, Inc.

SPECIFICATIONS

- Concrete: $F_c=4,000$ psi @28 days
- Rebar: ASTM A-615 Grade 60
- Design: ASTM C-857 "Minimum Structural Design Loading for Underground Precast Concrete Utility Structures"
- Loads: AASHTO HS-20
- Backfill with granular free draining material (sand or pea gravel) free of stones or cobbles greater than 4" in dia.
- Items shown are subject to change without notice.