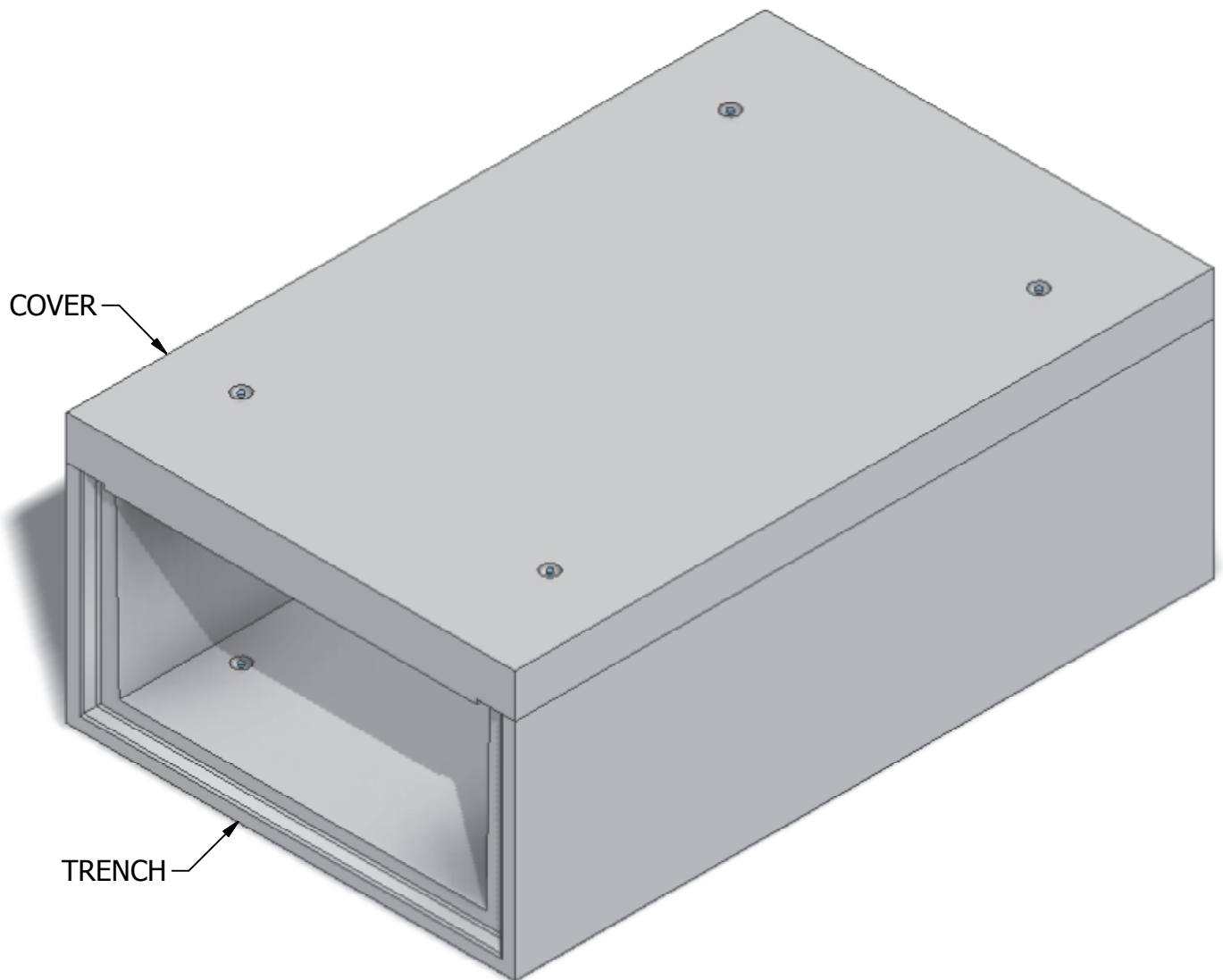


63 x 32 Precast Trench



INTERIOR DIMENSIONS:
5'-3"W x 2'-8"H

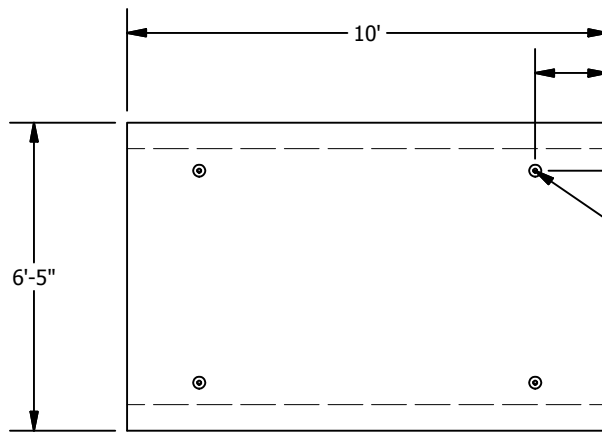
WEIGHTS:
COVER (6,850 lbs)
TRENCH (9,700 lbs)

© 2013 Granite Precasting & Concrete, Inc.

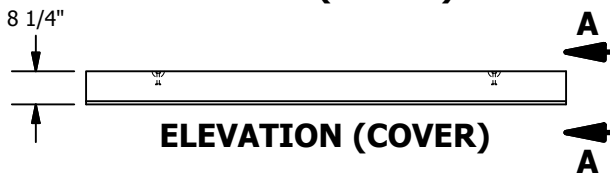


4116 BAKERVIEW SPUR, BELLINGHAM, WA 98226 - (360) 671-2251 - 1-800-808-2251 - FAX: (360) 671-0780

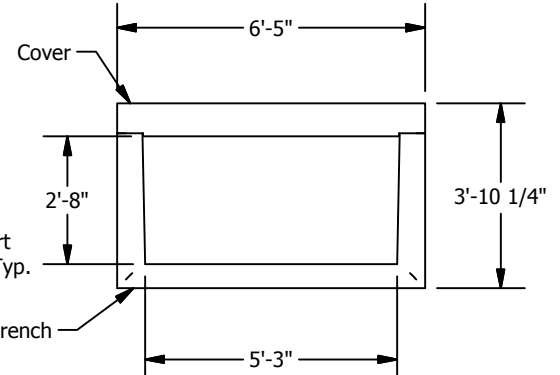
63 x 32 Precast Trench



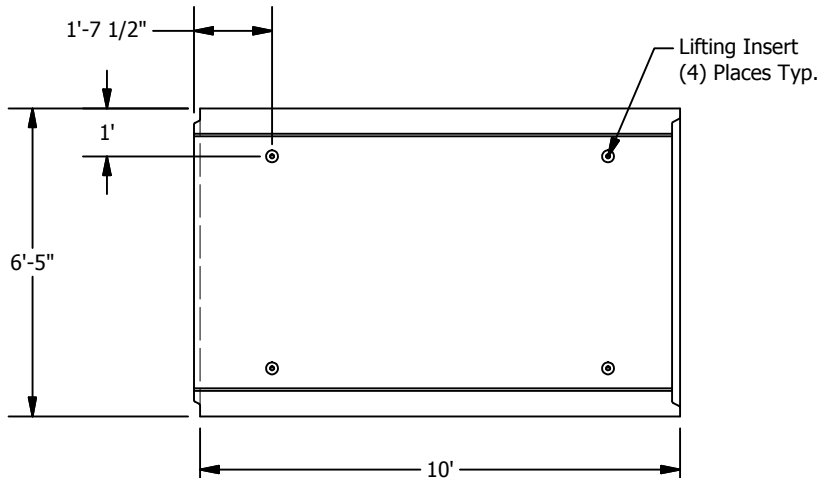
PLAN (COVER)



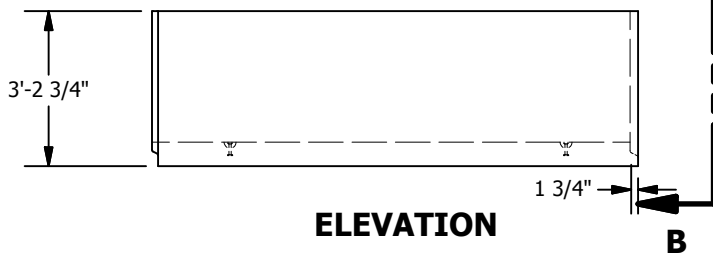
ELEVATION (COVER)



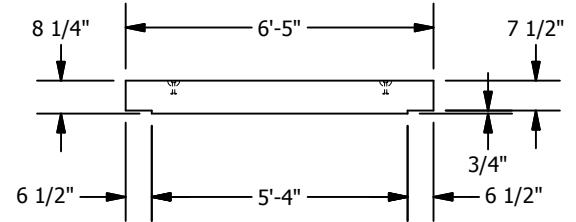
ASSEMBLED SECTION



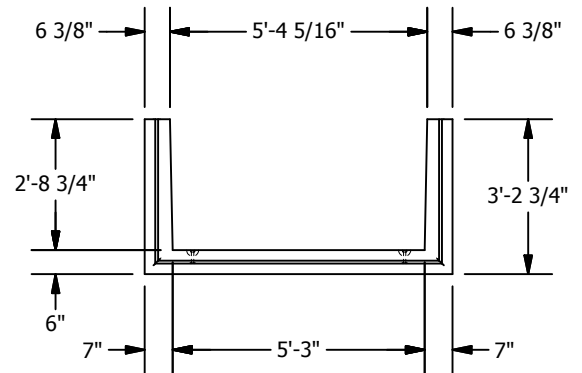
PLAN



ELEVATION



**VIEW A-A
SCALE 1/48**



**VIEW B-B
SCALE 1/48**

© 2013 Granite Precasting & Concrete, Inc.

SPECIFICATIONS

1. Concrete: $F_c=4,000$ psi @28 days
2. Rebar: ASTM A-615 Grade 60
3. Design: ASTM C-857 "Minimum Structural Design Loading for Underground Precast Concrete Utility Structures"
4. Loads: AASHTO HS-20
5. Backfill with granular free draining material (sand or pea gravel) free of stones or cobbles greater than 4" in dia.
6. Items shown are subject to change without notice.