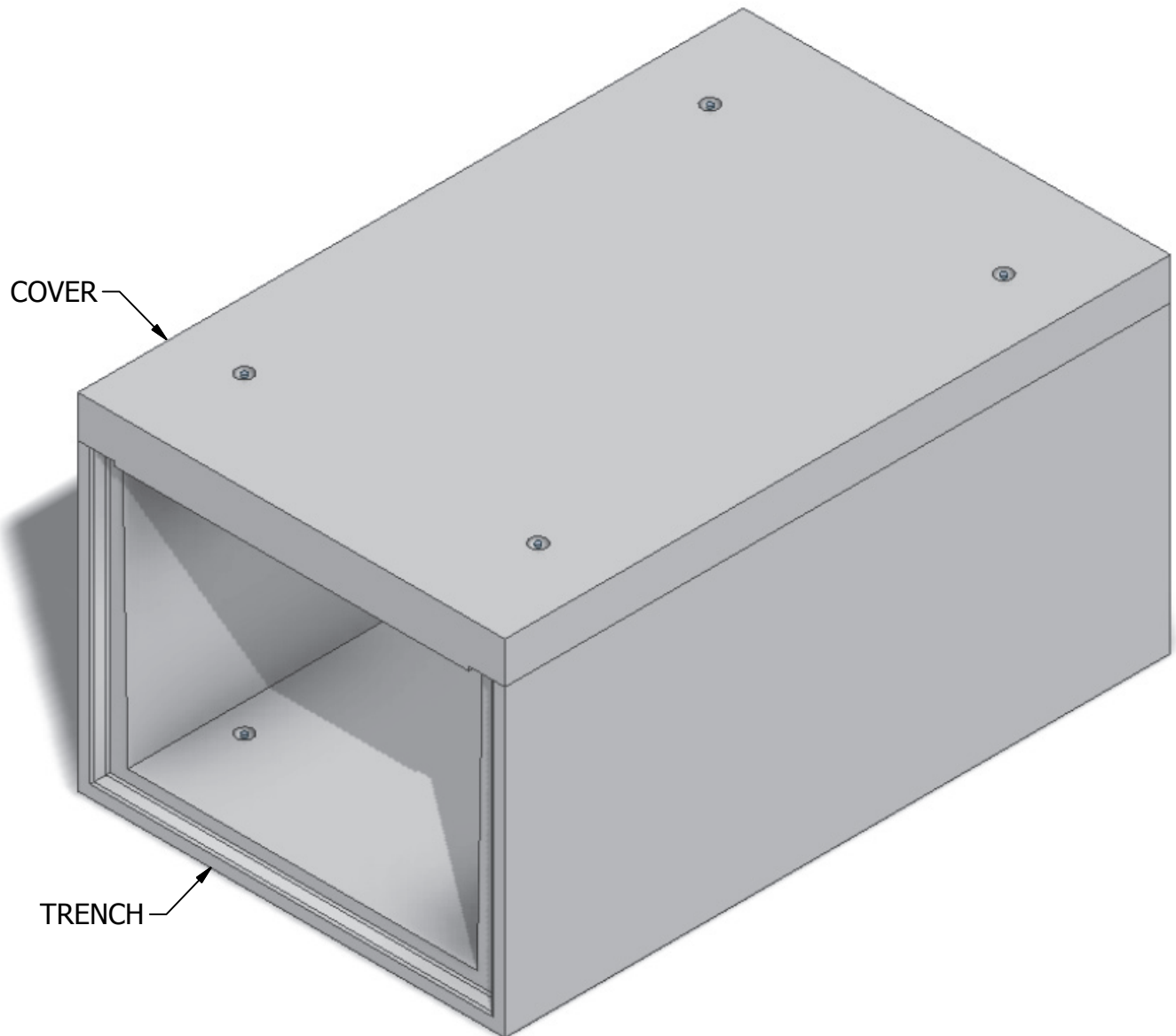


63 x 48 Precast Trench



INTERIOR DIMENSIONS:
5'-3"W x 4'-0"H

WEIGHTS:
COVER (6,850 lbs)
TRENCH (12,200 lbs)

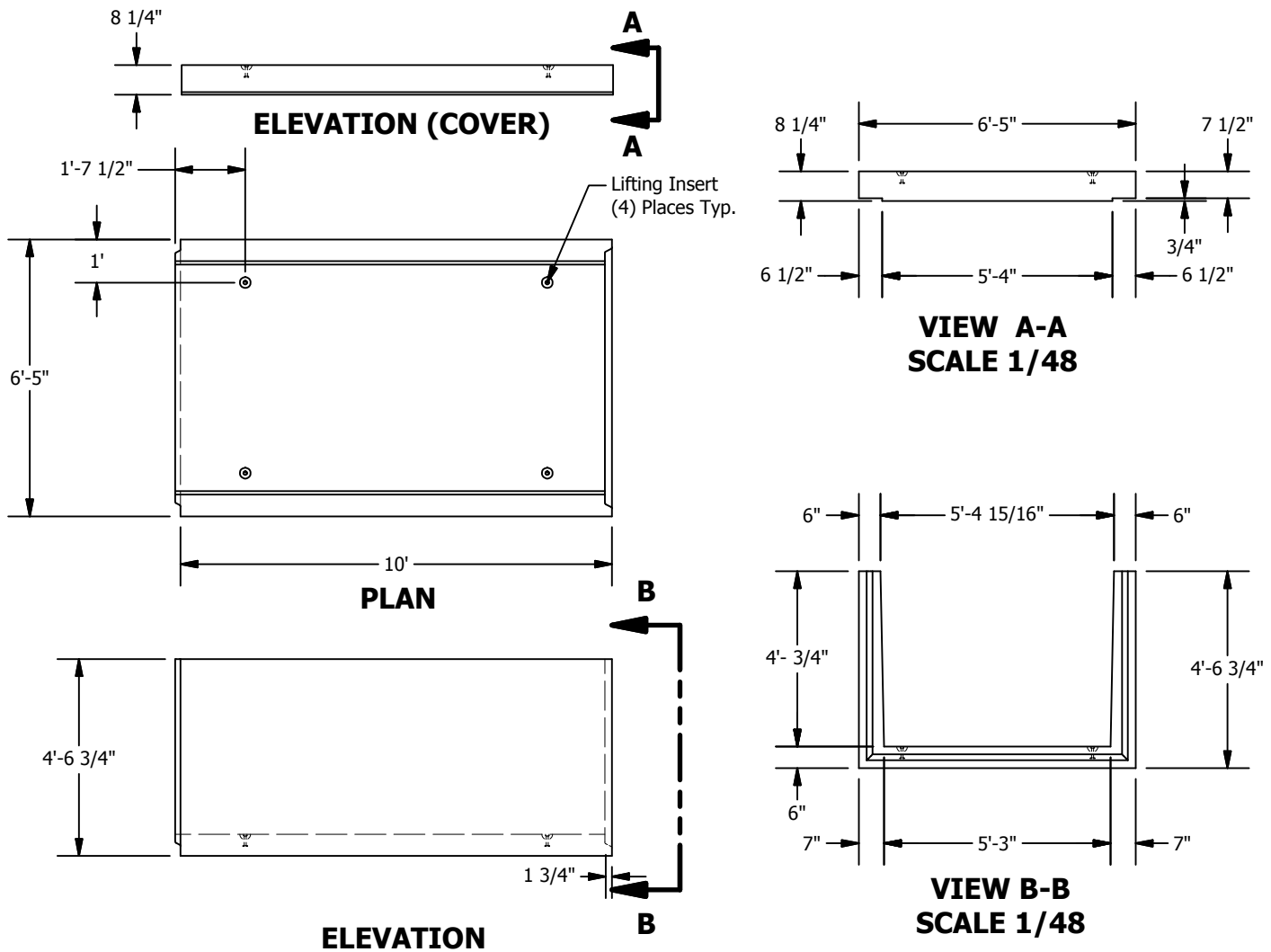
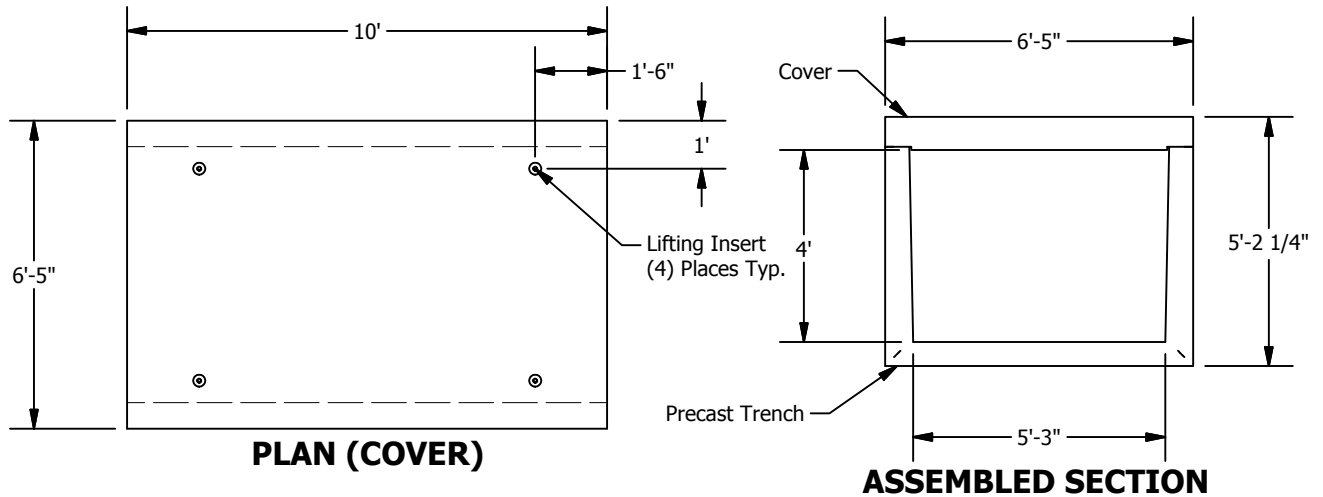
© 2013 Granite Precasting & Concrete, Inc.



GRANITE™
PRECAST

4116 BAKERVIEW SPUR, BELLINGHAM, WA 98226 - (360) 671-2251 - 1-800-808-2251 - FAX: (360) 671-0780

63 x 48 Precast Trench



© 2013 Granite Precasting & Concrete, Inc.

SPECIFICATIONS

- Concrete: $F_c=4,000$ psi @28 days
- Rebar: ASTM A-615 Grade 60
- Design: ASTM C-857 "Minimum Structural Design Loading for Underground Precast Concrete Utility Structures"
- Loads: AASHTO HS-20
- Backfill with granular free draining material (sand or pea gravel) free of stones or cobbles greater than 4" in dia.
- Items shown are subject to change without notice.