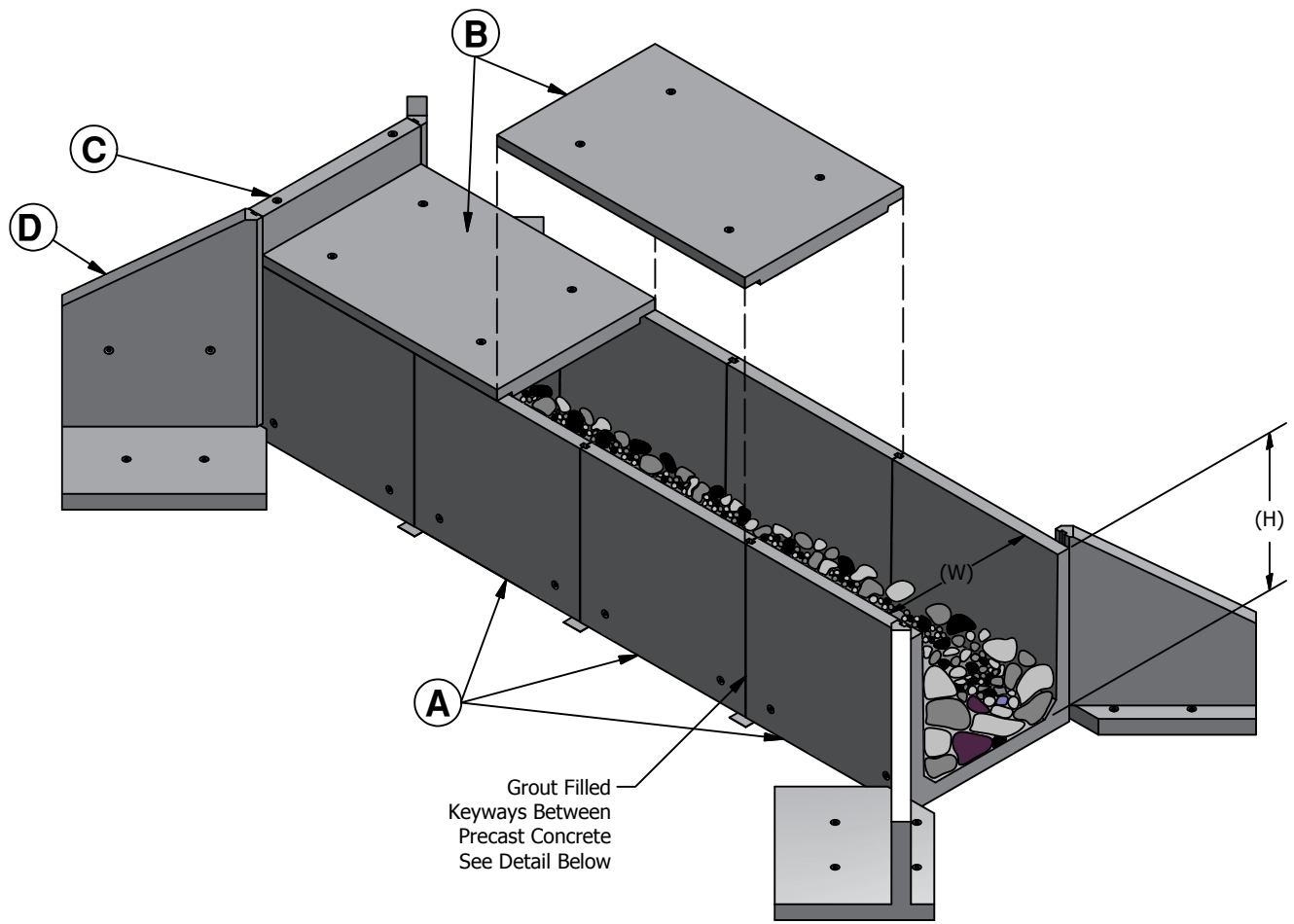
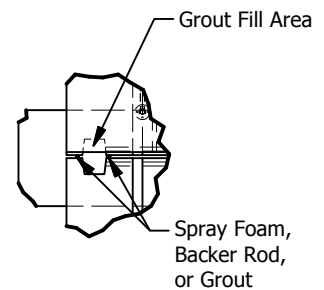


Inverted Short Span Bridges



- (A)** INVERTED SHORT SPAN BRIDGES
- (B)** REMOVABLE COVER FOR EASE OF STREAMHEAD PLACEMENT
- (C)** OPTIONAL HEADWALL
- (D)** OPTIONAL WINGWALL



WALL TO WALL **GROUT KEYWAY**

(W) VARIABLE WIDTH - (I.D.) - 6' MIN. TO 35' MAX.
(H) VARIABLE HEIGHT - (I.D.) - 2' MIN. TO 10' MAX.

© 2013 Granite Precasting & Concrete, Inc.



4116 BAKERVIEW SPUR, BELLINGHAM, WA 98226 - (360) 671-2251 - 1-800-808-2251 - FAX: (360) 671-0780