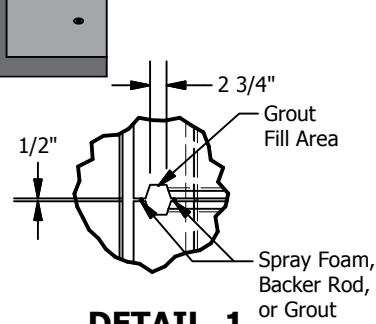
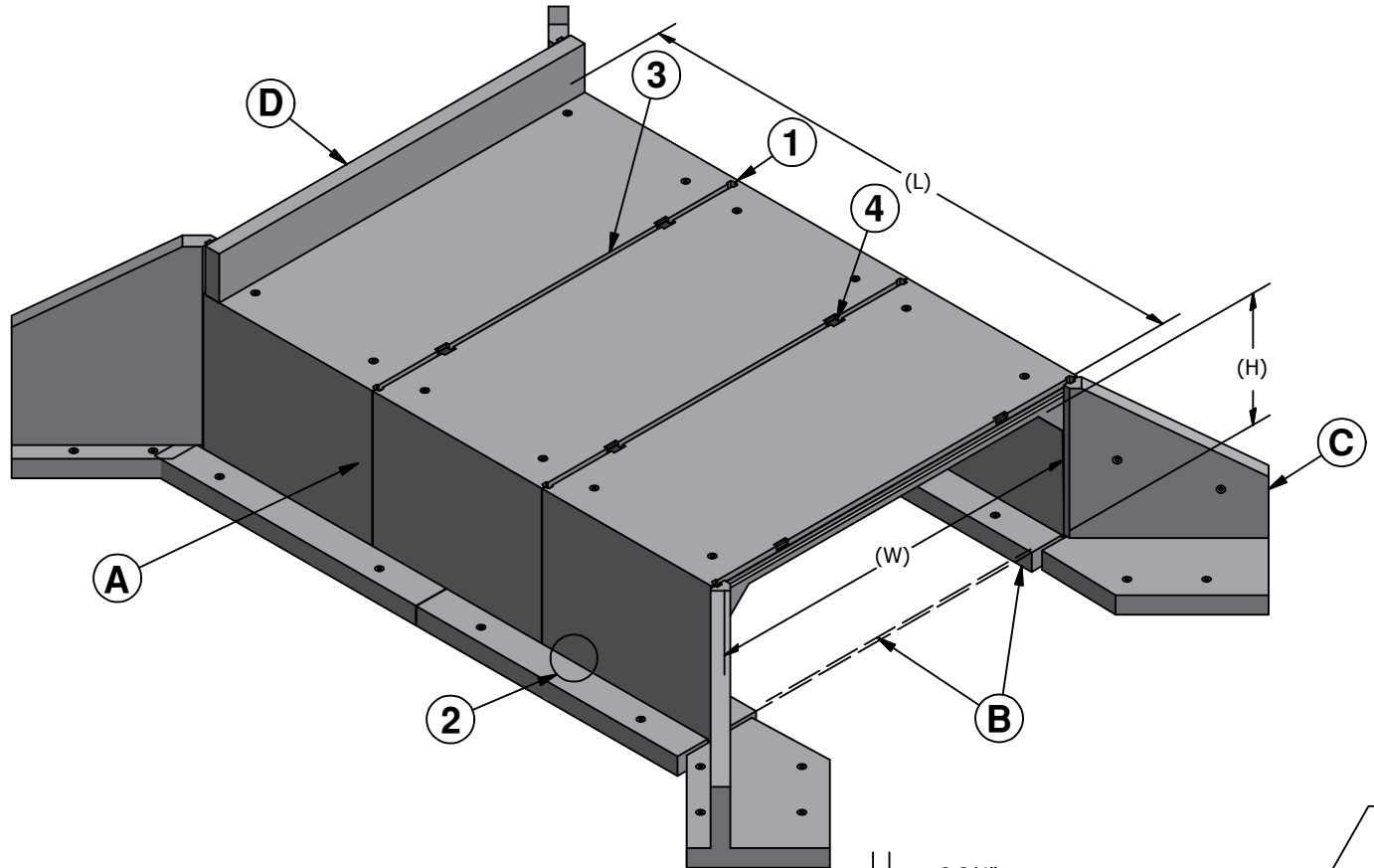
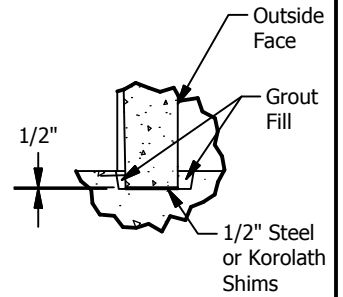


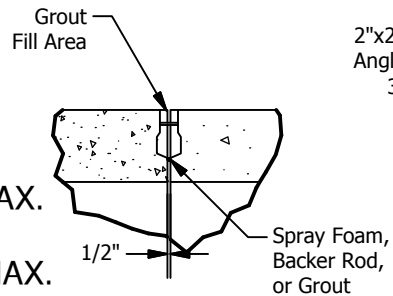
# Short Span Bridges



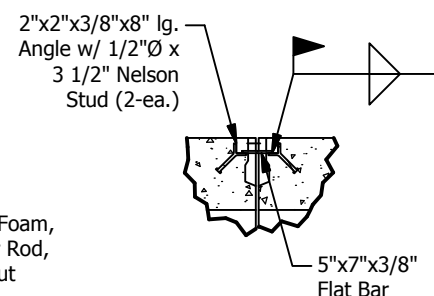
**DETAIL 1**  
Wall to Wall



**DETAIL 2**  
Wall to Base  
Footing or Slab



**DETAIL 3**  
Top to Top



**DETAIL 4**  
Weld Plate

- (A)** SHORT SPAN BRIDGE
- (B)** OPTIONAL FOOTING OR FULL BASE SLAB
- (C)** OPTIONAL WINGWALL
- (D)** OPTIONAL HEADWALL
- (W)** VARIABLE WIDTH - (I.D.) - 6' MIN. TO 35' MAX.
- (L)** VARIABLE LENGTH
- (H)** VARIABLE HEIGHT - (I.D.) - 2' MIN. TO 10' MAX.

© 2013 Granite Precasting & Concrete, Inc.



4116 BAKERVIEW SPUR, BELLINGHAM, WA 98226 - (360) 671-2251 - 1-800-808-2251 - FAX: (360) 671-0780