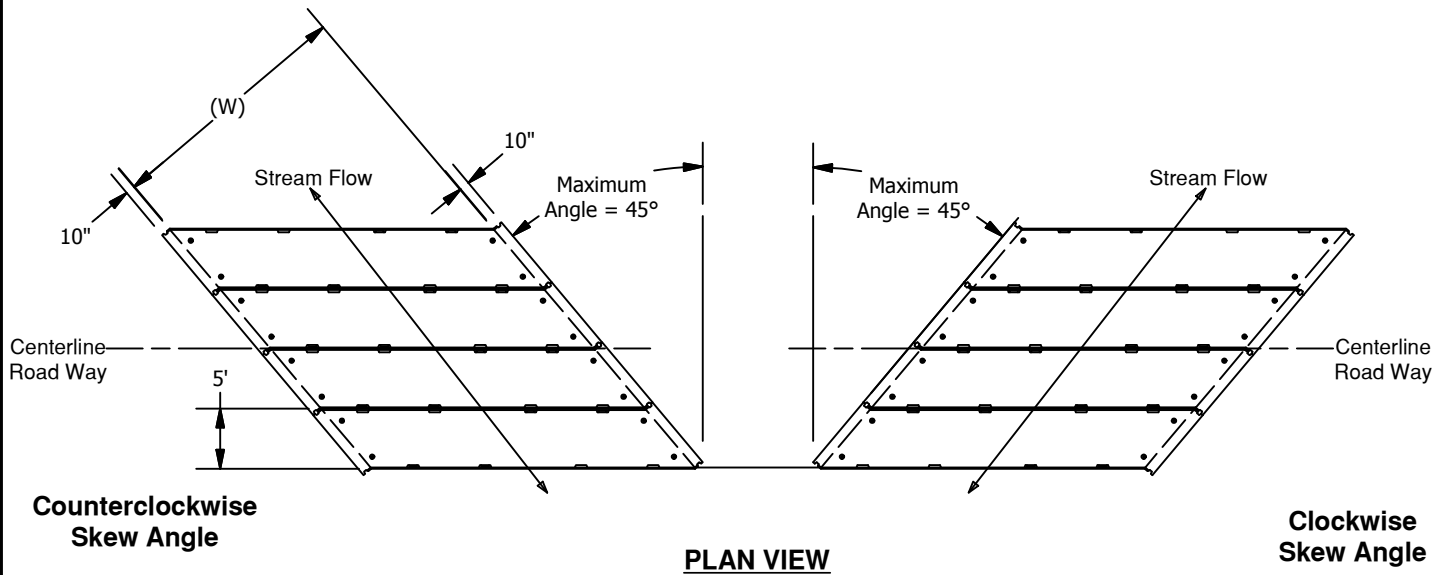
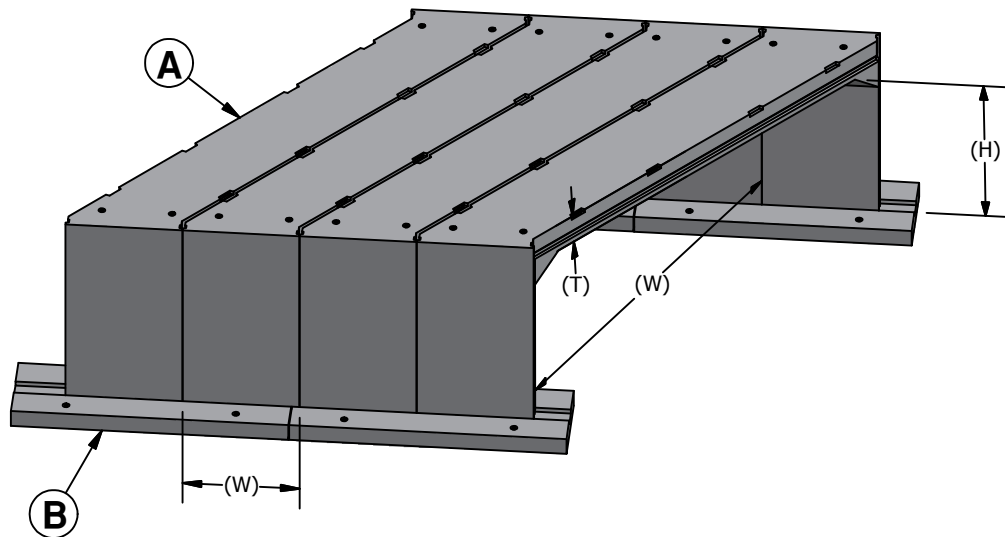


Skewed Short Span Bridge



- (T) VARIABLE DECK THICKNESS
- (H) VARIABLE HEIGHT - (I.D.) - 2' to 10' MAX.
- (W) VARIABLE WIDTH - (I.D.) - 12' to 33' MAX.



- (A) SKEWED SHORT SPAN BRIDGE
- (B) OPTIONAL FOOTING
or FULL BASE SLAB

© 2013 Granite Precasting & Concrete, Inc.



4116 BAKERVIEW SPUR, BELLINGHAM, WA 98226 - (360) 671-2251 - 1-800-808-2251 - FAX: (360) 671-0780